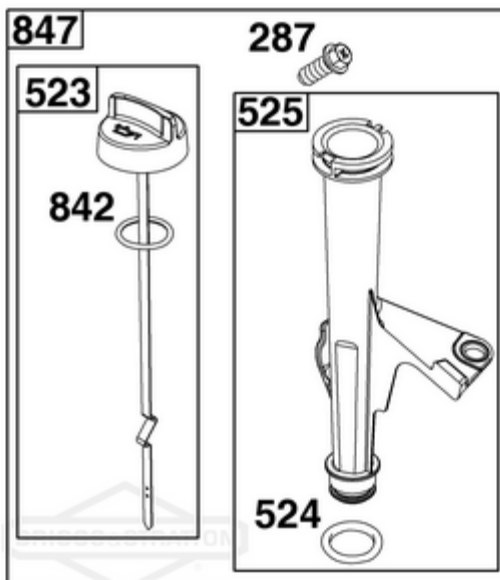
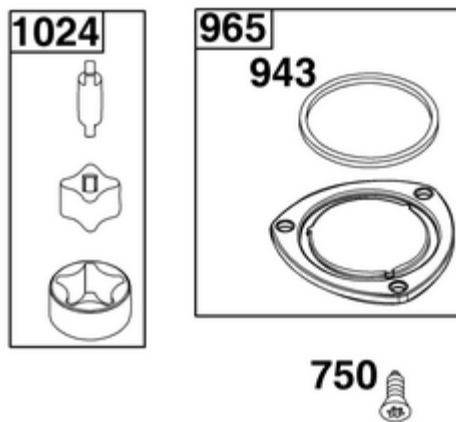


1027

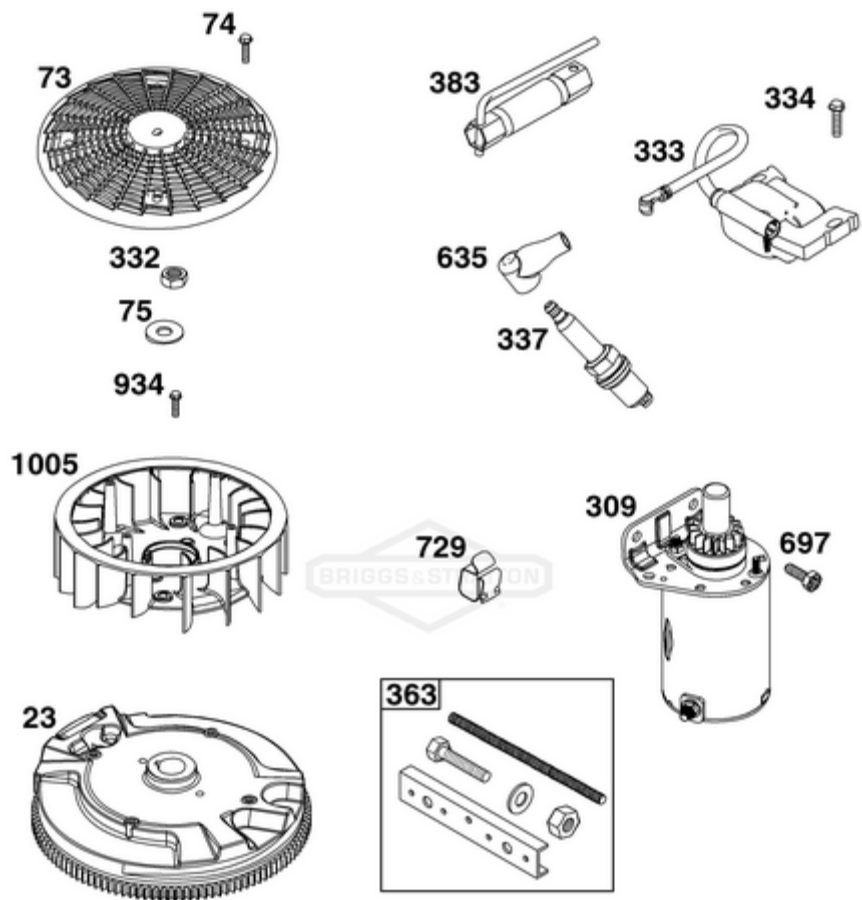


1017



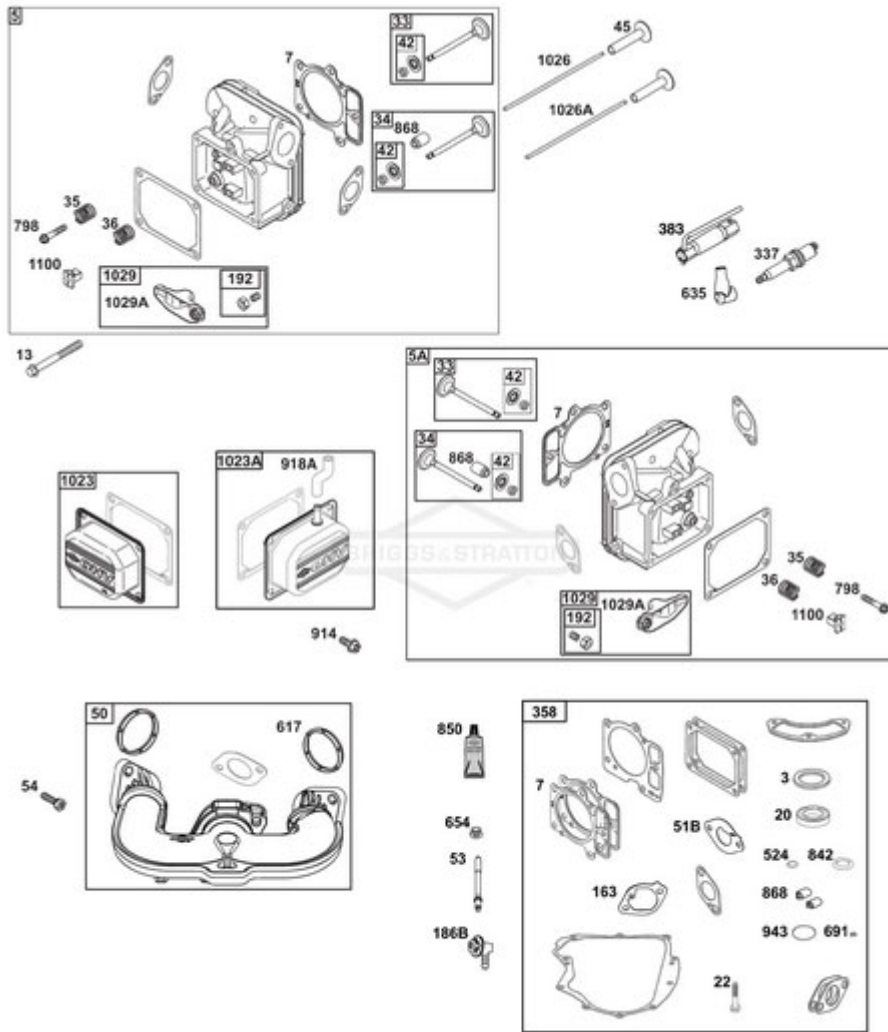
Copyright © Briggs & Stratton, LLC. All rights reserved.

<b>Ref #</b>	<b>Part #</b>	<b>Description</b>	<b>Qty</b>	<b>Context Note</b>	<b>Foot Note</b>
287	697820	SCREW	1	(Dipstick Tube)	
523	594528	DIPSTICK	1		
524	691032	SEAL, O-Ring	1	(Dipstick Tube)	
525	597129	TUBE, Dipstick	1		
750	796208	SCREW	3	(Oil Pump Cover)	
842	691031	SEAL, O-Ring	1	(Dipstick Cap)	
847	597130	DIPSTICK/TUBE ASSEMBLY	1		
943	796222	SEAL, O-Ring	1	(Oil Pump Cover)	
965	796221	COVER, Oil Pump	1		
1017	796214	SCREEN, Oil Pump	1		
1024	796220	PUMP, Oil	1		
1027	492932S	FILTER, Oil	1		



Copyright © Briggs & Stratton, LLC. All rights reserved.

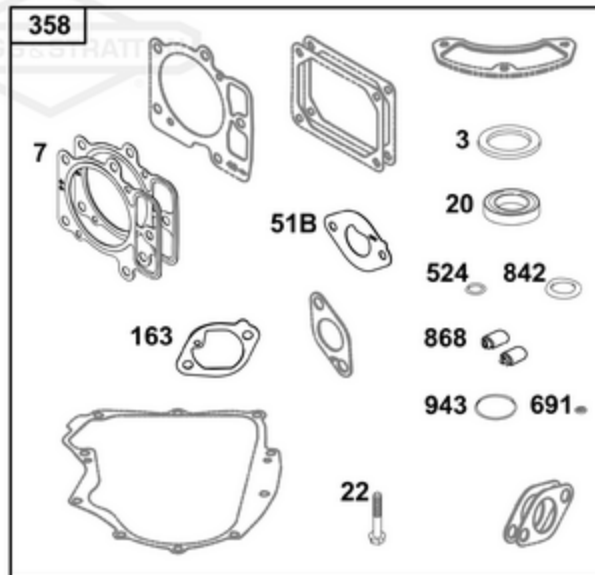
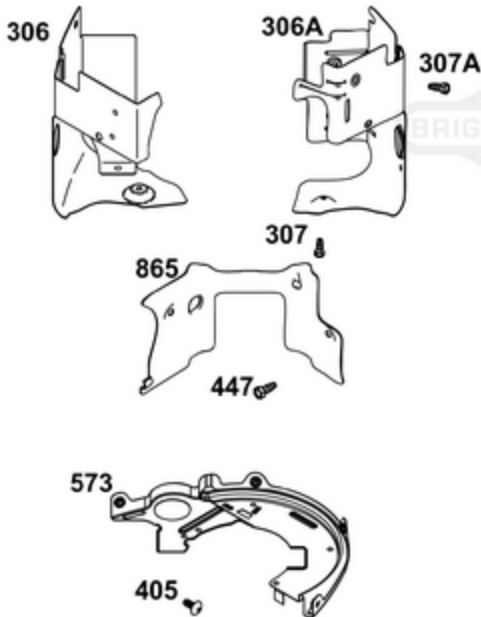
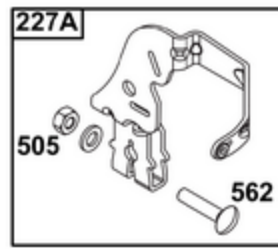
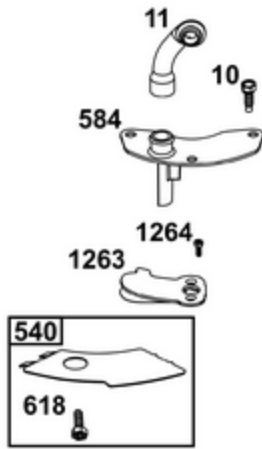
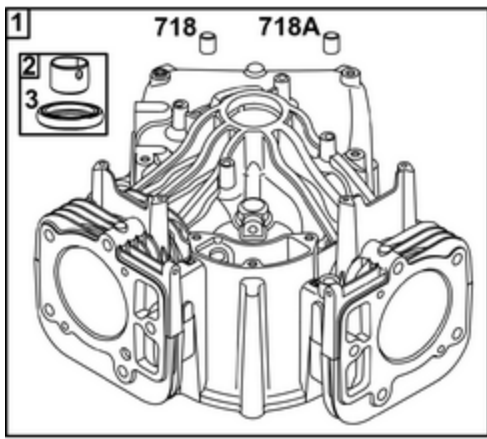
Ref #	Part #	Description	Qty	Context Note	Foot Note
23	594169	FLYWHEEL	1		
73	494439	SCREEN, Rotating	1		
74	698425	SCREW	4	(Rotating Screen)	
75	691056	WASHER	1	(Flywheel)	
309	590476	MOTOR, Starter	1		
332	691059	NUT	1	(Flywheel)	
333	592846	ARMATURE, Magneto	2		
334	691061	SCREW	3	(Magneto Armature)	
337		PLUG, Spark	2	(Part information located in Cylinder Head Group.)	
363	19621	PULLER, Flywheel	1		
383		WRENCH, Spark Plug	1	(Part information located in Cylinder Head Group.)	
635		BOOT, Spark Plug	2	(Part information located in Cylinder Head Group.)	
697	591909	SCREW	2	(Starter Motor) (Drive Cap)	
729	593826	CLIP, Wire	1		
934	593638	SCREW	4	(Fan Retainer)	
1005	593640	FAN, Flywheel	1		



Copyright © Briggs & Stratton, LLC. All rights reserved.

Ref #	Part #	Description	Qty	Context Note	Foot Note
3		SEAL, Oil	1	(Part information located in Cylinder Group.)	
5	597198	HEAD, Cylinder	1		
5A	597199	HEAD, Cylinder	1		
7	693997	GASKET, Cylinder Head	2		
13	592244	SCREW	10	(Cylinder Head)	
20		SEAL, Oil	1	(Part information located in Crankcase Cover/Sump Group.)	
22		SCREW	10	(Part information located in Crankcase Cover/Sump Group.)	
33	793557	VALVE, Exhaust	2		
34	793556	VALVE, Intake	2		
35	694865	SPRING, Valve	2	(Intake)	
36	694865	SPRING, Valve	2	(Exhaust)	
42	499586	KEEPER, Valve	4		
45	690977	TAPPET, Valve	4		
50	594206	MANIFOLD, Intake	1		
51B	596188	GASKET, Intake	1		
53		STUD	2	(Part information located in Carburetor and Fuel Supply Group.)	
54	699816	SCREW	4	(Intake Manifold)	
163		GASKET, Air Cleaner	1	(Part information located in Carburetor and Fuel Supply Group.)	
186B		CONNECTOR, Hose	1	(Part information located in Carburetor and Fuel Supply Group.)	
192	690083	ADJUSTER, Rocker Arm	4		
337	792015	PLUG, Spark	2		
358		GASKET SET, Engine	1	(Part information located in Cylinder Group.)	
383	19576S	WRENCH, Spark Plug	1		
524		SEAL, O-Ring	1	(Part information located in Lubrication Group.)	
617	594209	SEAL, O-Ring	2	(Intake Manifold)	
635	66538S	BOOT, Spark PLug	2		
654		NUT	2	(Part information located in Carburetor and Fuel Supply Group.)	
691		SEAL, Governor Shaft	1	(Part information located in Crankcase Cover/Sump Group.)	
798	697890	SCREW	4	(Rocker Arm)	

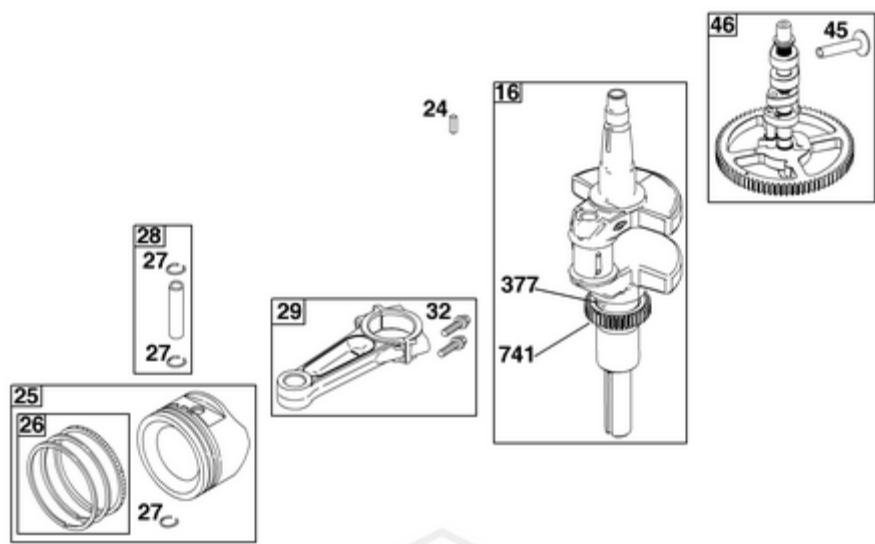
<b>Ref #</b>	<b>Part #</b>	<b>Description</b>	<b>Qty</b>	<b>Context Note</b>	<b>Foot Note</b>
842		SEAL, O-Ring	1	(Part information located in Lubrication Group.)	
850		SEALANT, Liquid	1	(Part information located in Crankcase Cover/Sump Group.)	
868	690968	SEAL, Valve	2		
914	691127	SCREW	8	(Rocker Cover)	
918A	596163	HOSE, Vacuum	1		
943		SEAL, O-Ring	1	(Part information located in Lubrication Group.)	
1023	499600	COVER, Rocker	1		
1023A	84003848	COVER, Rocker	1		
1026	690981	ROD, Push	2		
1026A	690982	ROD, Push	2		
1029	690972	ARM, Rocker	4		
1029A	807323	ARM, Rocker	4		
1100	791959	PIVOT, Rocker Arm	4		



Copyright © Briggs & Stratton, LLC. All rights reserved.

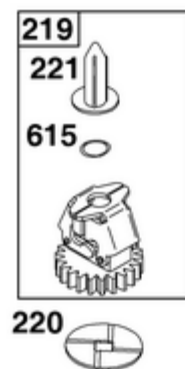
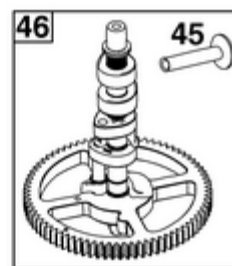
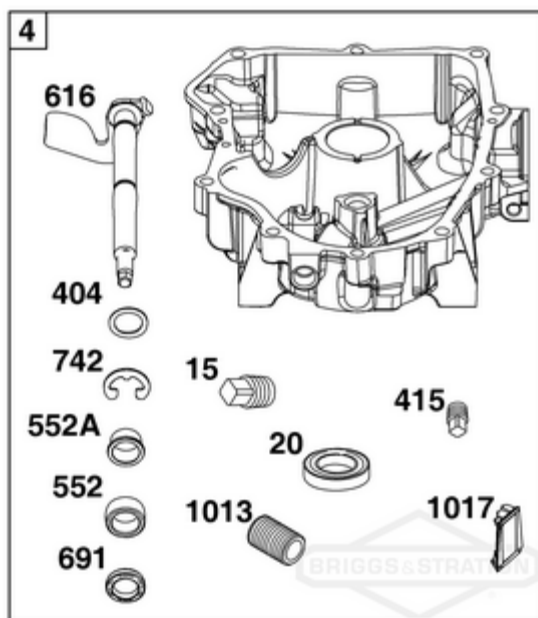
Ref #	Part #	Description	Qty	Context Note	Foot Note
1	594969	CYLINDER ASSEMBLY	1		
2	797673	KIT, Bushing/Seal	1	(Magneto Side)	
3	391086S	SEAL, Oil	1	(Magneto Side)	
7		GASKET, Cylinder Head	2	(Part information located in Cylinder Head Group.)	
10	691108	SCREW	4	(Breather Assembly)	
11	594163	TUBE, Breather	1		
20		SEAL, Oil	1	(Part information located in Crankcase Cover/Sump Group.)	
22		SCREW	10	(Part information located in Crankcase Cover/Sump Group.)	
51B		GASKET, Intake	1	(Part information located in Cylinder Head Group.)	
163		GASKET, Air Cleaner	1	(Part information located in Carburetor and Fuel Supply Group.)	
227A		LEVER, Governor Control	1	(Part information located in Controls Group.)	
306	84002166	SHIELD, Cylinder	1		
306A	84002169	SHIELD, Cylinder	1		
307	691003	SCREW	4	(Cylinder Shield)	
307A	691108	SCREW	4	(Cylinder Shield)	
358	699823	GASKET SET-ENGINE	1	(Service Kits may include extra parts not specific to this engine.)	
405	594937	SCREW	7	(Back Plate)	
447	691003	SCREW	4	(Air Guide Cover)	
505		NUT	1	(Part information located in Controls Group.)	
524		SEAL, O-Ring	1	(Part information located in Lubrication Group.)	
540	594325	PLATE, Baffle	1		
562		BOLT	1	(Part information located in Controls Group.)	
573	594902	PLATE, Back	1		
584	594164	COVER, Breather Passage	1		
618	594326	SCREW	1	(Baffle Plate)	
691		SEAL, Governor Shaft	1	(Part information located in Crankcase Cover/Sump Group.)	
718	690959	PIN, Locating	6		
718A	594988	PIN, Locating	1		
842		SEAL, O-Ring	1	(Part information located in Lubrication Group.)	
865	591667	COVER, Air Guide	1		

<b>Ref #</b>	<b>Part #</b>	<b>Description</b>	<b>Qty</b>	<b>Context Note</b>	<b>Foot Note</b>
868		SEAL, Valve	2	(Part information located in Cylinder Head Group.)	
943		SEAL, O-Ring	1	(Part information located in Lubrication Group.)	
1263	594166	REED, Breather	1		
1264	594165	SCREW	1	(Breather Reed)	



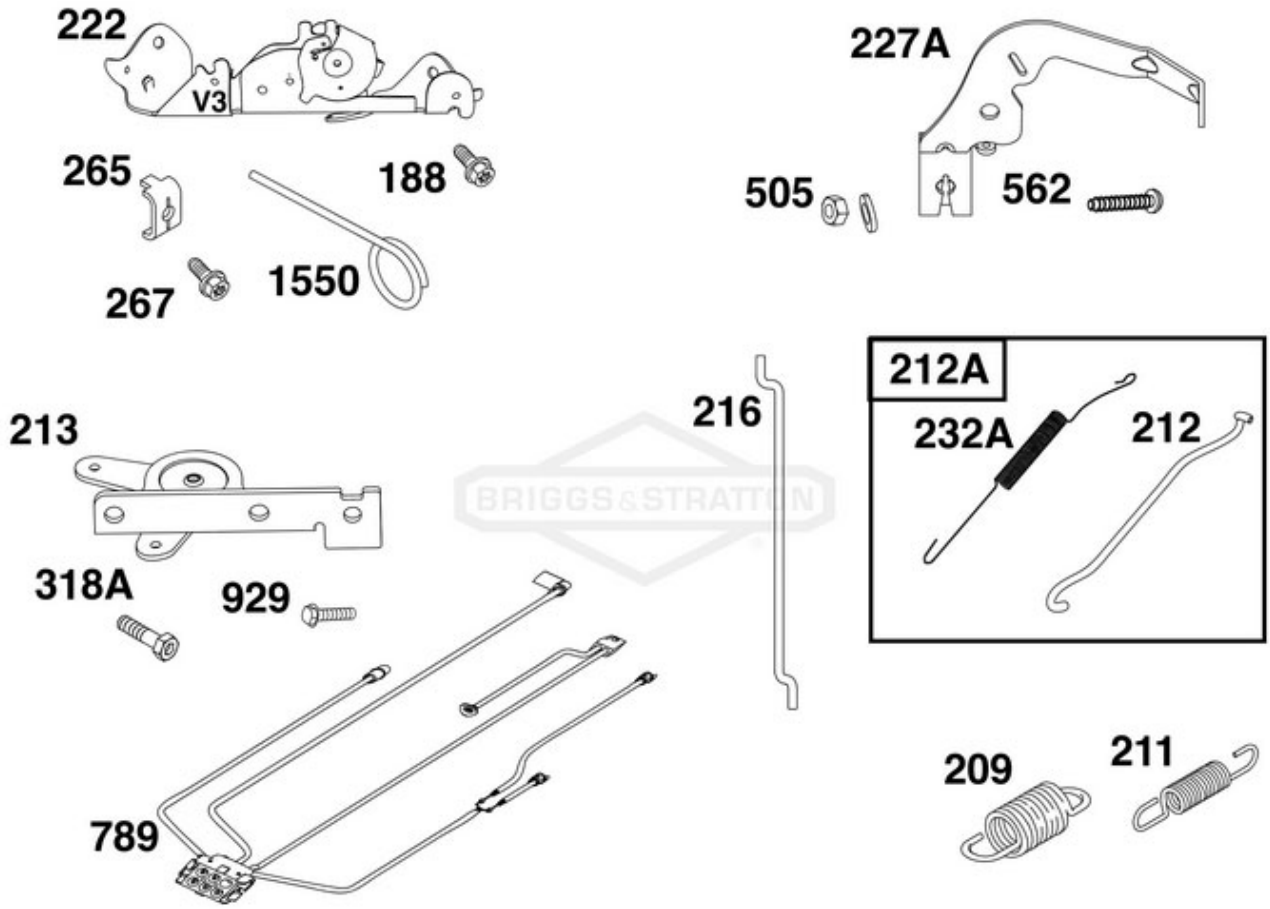
Copyright © Briggs & Stratton, LLC. All rights reserved.

Ref #	Part #	Description	Qty	Context Note	Foot Note
16	595704	CRANKSHAFT	1		
24	222698S	KEY, Flywheel	1		
25	793647	PISTON ASSEMBLY	1	(Standard)	
25	793648	PISTON ASSEMBLY	1	(.020" Oversize)	
26	791787	SET, Ring	2	(Standard)	
26	791792	SET, Ring	2	(.020" Oversize)	
27	690975	LOCK, Piston Pin	1		
28	593650	PIN, Piston	1		
29	796209	ROD, Connecting	1		
32	690976	SCREW	2	(Connecting Rod)	
45		TAPPET, Valve	4	(Part information located in Cylinder Head Group.)	
46	792555	CAMSHAFT	1		
377	690980	GEAR, Timing	1		
741	690979	KEY, Woodruff	1		



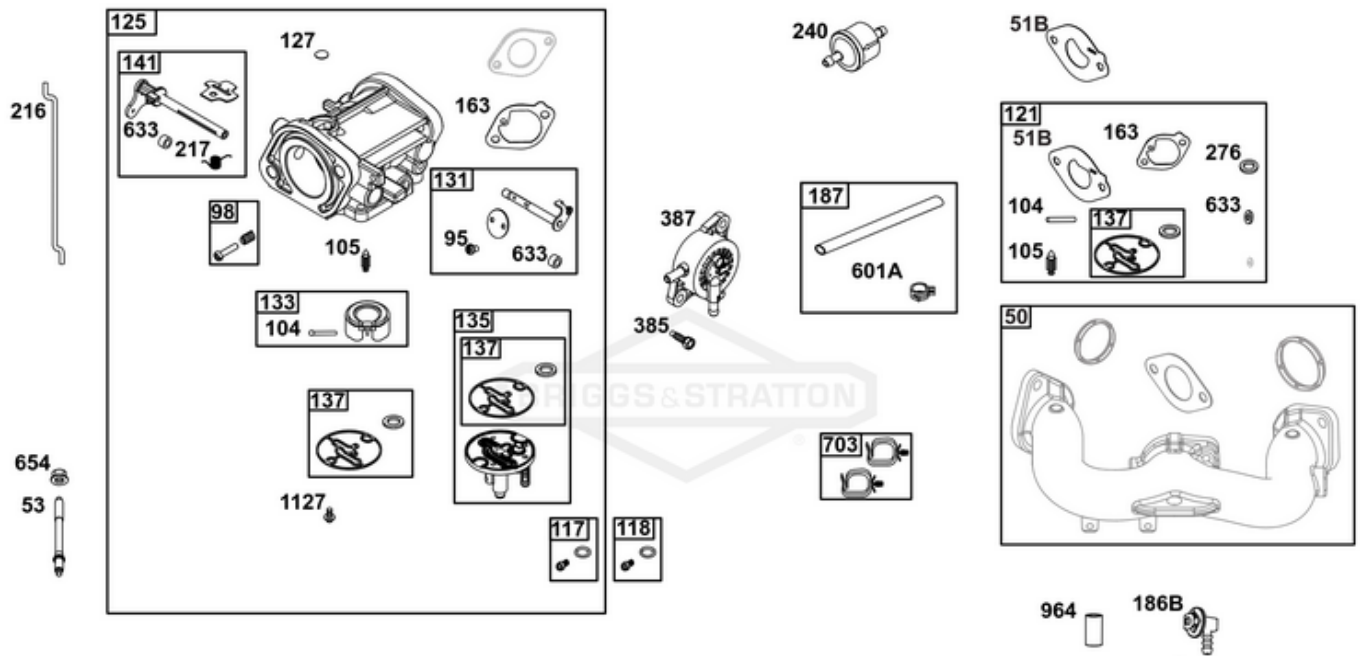
Copyright © Briggs & Stratton, LLC. All rights reserved.

Ref #	Part #	Description	Qty	Context Note	Foot Note
4	84007282	SUMP, Engine	1		
15	690946	PLUG, Oil Drain	1		
20	795387	SEAL, Oil	1	(PTO Side)	
22	694966	SCREW	10	(Crankcase Cover/Sump)	
45		TAPPET, Valve	4	(Part information located in Cylinder Head Group.)	
46		CAMSHAFT	1	(Part information located in Crankshaft Group.)	
219	793338	GEAR, Governor	1		
220	799772	WASHER	1	(Governor Gear)	
221	841026	CUP, Governor	1		
404	690442	WASHER	1	(Governor Crank)	
415	794903	PLUG	1		
552	796638	BUSHING, Governor Crank	1		
552A	690553	BUSHING, Governor Crank	2		
615	698290	RETAINER, Governor Shaft	1		
616	691045	CRANK, Governor	1		
691	790574	SEAL, Governor Shaft	1		
742	690328	RETAINER, E Ring	2		
750	796208	SCREW	3	(Part information located in Lubrication Group.)	
850	100106	SEALANT, Liquid	1		
943		SEAL, O-Ring	1	(Part information located in Lubrication Group.)	
965		COVER, Oil Pump	1	(Part information located in Lubrication Group.)	
1013	690954	NIPPLE, Oil Filter	1		
1017		SCREEN, Oil Pump	1	(Part information located in Lubrication Group.)	
1024		PUMP, Oil	1	(Part information located in Lubrication Group.)	



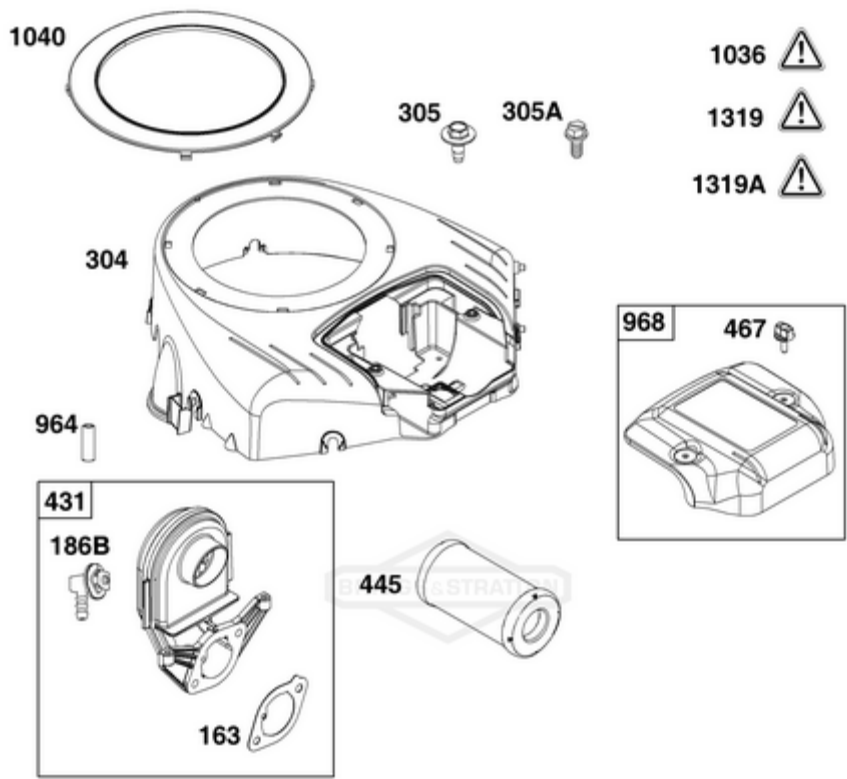
Copyright © Briggs & Stratton, LLC. All rights reserved.

<b>Ref #</b>	<b>Part #</b>	<b>Description</b>	<b>Qty</b>	<b>Context Note</b>	<b>Foot Note</b>
188	691108	SCREW	4	(Control Bracket)	
209	799170	SPRING, Governor	1		
211	593724	SPRING, Governed Idle	1		
212	84001913	LINK, Throttle	1		
212A	597778	LINK, Throttle	1		
213	691021	BRACKET, Choke Control	1		
216	691022	LINK, Choke	1		
222	798916	BRACKET, Control	1		
227A	593857	LEVER, Governor Control	1		
232A	597550	SPRING, Governor Link	1		
265	691024	CLAMP, Casing	1		
267	792629	SCREW	1	(Casing Clamp)	
318A	792629	SCREW			
505		NUT	1	(Governor Control Lever)	
562	690311	BOLT	1	(Governor Control Lever)	
789	591392	HARNESS, Wiring	1		
929	695239	SCREW	2		
1550	595801	PIN, Speed Setting	1		



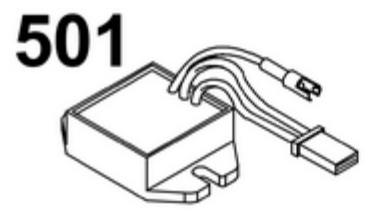
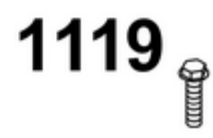
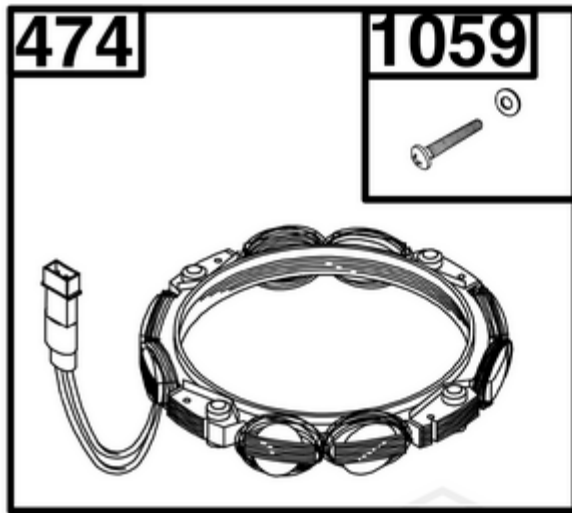
Copyright © Briggs & Stratton, LLC. All rights reserved.

Ref #	Part #	Description	Qty	Context Note	Foot Note
50		MANIFOLD, Intake	1		
51B	84002400	GASKET, Intake	1		
53	690951	STUD	2	(Carburetor)	
95	690718	SCREW	2	(Throttle Valve)	
98	695408	KIT, Idle Speed	1		
104	694918	PIN, Float Hinge	1		
105	698537	VALVE, Float Needle	1		
117	842585	JET, Main	1	(Standard)	
118	792296	JET, Main	1	(High Altitude)	
121	84001917	KIT, Carburetor Overhaul	1	(Service Kits may include extra parts not specific to this engine.)	
125	594207	CARBURETOR	1		
127	699810	PLUG, Welch	1		
131	594210	KIT, Throttle Shaft	1	Used Before Code Date 18120100	
133	694914	FLOAT, Carburetor	1		
135	591701	TUBE, Fuel Transfer	1		
137	698781	GASKET, Float Bowl	1		
141	594211	KIT, Choke Shaft	1		
163	594203	GASKET, Intake	1		
186B	845141	CONNECTOR, Hose	1		
187	791766	LINE, Fuel	1		
216	691022	LINK, Choke	1		
217	799771	SPRING, Choke Return	1		
240	84001895	FILTER, Fuel	1		
276	695410	WASHER, Sealing	1		
385	797409	SCREW	2	(Fuel Pump)	
387	597338	PUMP, Fuel	1		
601A	691038	CLAMP, Hose	2		
633	699813	SEAL, Choke/Throttle Shaft	2		
654	690958	NUT	2	(Carburetor)	
703	691010	CLIP	2		
964		CAP, Connector		(Part information located in Blower Housing and Air Cleaner Group.)	
1127	695407	SCREW	2	(Float Bowl) (Float Bowl to Carburetor Body)	



Copyright © Briggs & Stratton, LLC. All rights reserved.

Ref #	Part #	Description	Qty	Context Note	Foot Note
163		GASKET, Air Cleaner	1	(Part information located in Carburetor and Fuel Supply Group.)	
186B		CONNECTOR, Hose	1	(Part information located in Carburetor and Fuel Supply Group.)	
304	591656	HOUSING, Blower	1		
305	594618	SCREW	6	(Blower Housing)	
305A	790690	SCREW	2	(Blower Housing)	
431	594205	ELBOW, Intake	1		
445	594201	FILTER, A/C Cartridge	1		
467	591660	KNOB, Air Cleaner Cover	2		
964	597560	CAP, Connector	1		
968	591658	COVER, Air Cleaner	1		
1036		LABEL, Emissions	1	(Available from a Briggs & Stratton Authorized Dealer)	
1040	791237	PLATE, Trim	1		
1319	794467	LABEL, Warning	1	(REQUIRED When Replacing Parts With Warning Labels Affixed)	
1319A	797669	LABEL, Warning	1	(REQUIRED When Replacing Parts With Warning Labels Affixed)	



Copyright © Briggs & Stratton, LLC. All rights reserved.

<b>Ref #</b>	<b>Part #</b>	<b>Description</b>	<b>Qty</b>	<b>Context Note</b>	<b>Foot Note</b>
474	592829	ALTERNATOR	1		
501	794360	REGULATOR	1		
526	691108	SCREW	2	(Regulator)	
729		CLIP, Wire	1	(Part information located in Flywheel/Ignition/ Starter Group.)	
1059	698516	KIT, Screw/ Washer	1		
1119	691183	SCREW	4	(Alternator)	