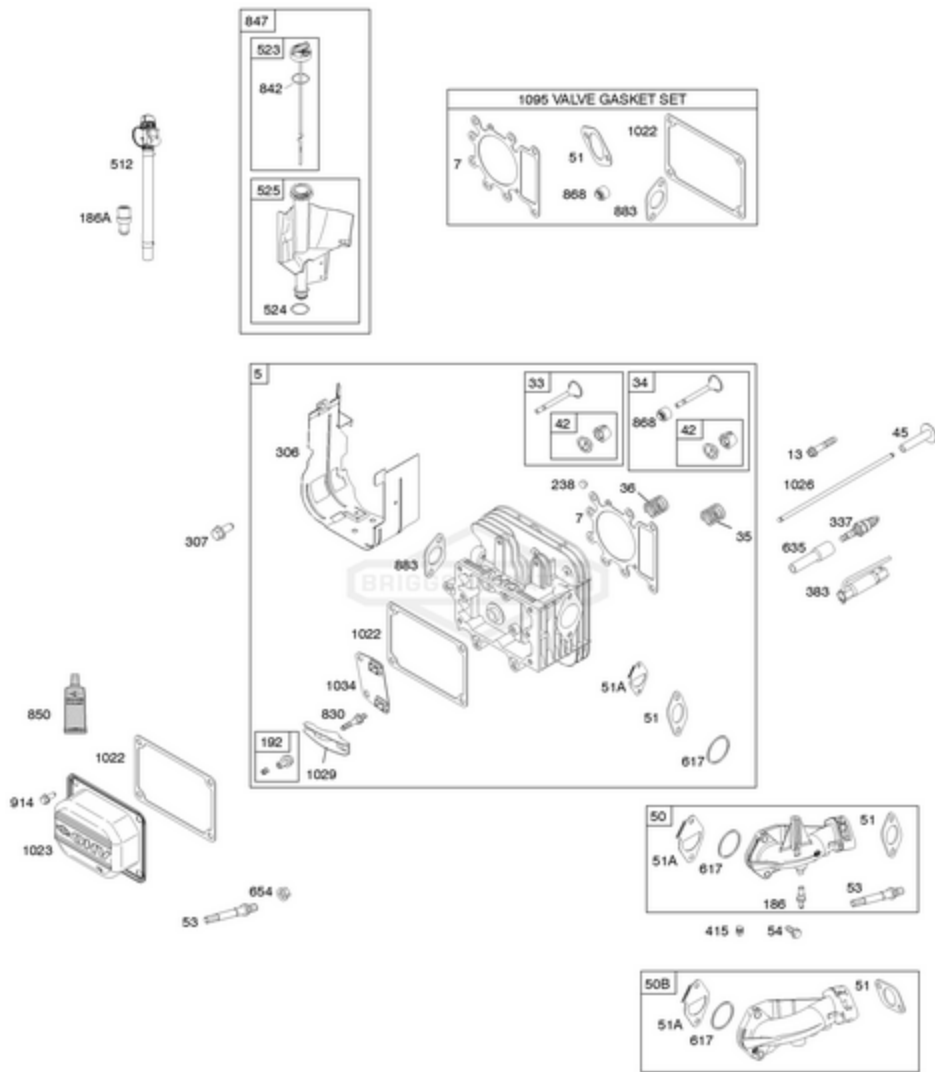


Copyright © Briggs & Stratton, LLC. All rights reserved.

Ref #	Part #	Description	Qty	Context Note	Foot Note
16B	591948	CRANKSHAFT		(Angled Cut Keyway)	
23	698281	FLYWHEEL		Used Before Code Date 12071800	
23	591759	FLYWHEEL		Used After Code Date 12071700	
24	796335	KEY, Flywheel		(0.555" Long)	
24	591757	KEY, Flywheel		(1.100" Long)	
37	697352	GUARD, Flywheel			
73B		Screen-Rotating		(No Longer Available)(See Reference 1005A for Service Flywheel Fan) Used Before Code Date 07040900	
74	697897	SCREW		(Rotating Screen) Used Before Code Date 07040900	
78	691693	SCREW		(Flywheel Guard)	
81	691178	LOCK, Muffler Screw			
300A	795998	MUFFLER			
300B	795997	MUFFLER			
300C	498984S	MUFFLER			
324	593933	SCREEN/CUP ASSEMBLY		Used After Code Date 07040800	
346	794845	SCREW		(Spark Arrestor)	
363	19203	PULLER, Flywheel			
377	691639	KEY, Woodruff			
415A	794129	COVER, Flywheel		(Cover/Retainer) Used After Code Date 07040800	
563A	799359	SCREW		(Debris Screen Guard)	
613	691416	SCREW		(Muffler)	
613A	691678	SCREW		(Muffler)	
613B	690297	SCREW		(Muffler)	
676	795036	DEFLECTOR, Muffler			
676A	396903	DEFLECTOR, Muffler			
677	690661	SCREW		(Muffler Deflector)	
740A	793859	NUT		(Muffler Bracket)	
741	697128	GEAR, Timing			
783	593935	GEAR, Pinion			
823	698941	SCREW		(Muffler Adapter)	
832	790244	GUARD, Muffler			
832A	595029	GUARD, Muffler			
836	690367	SCREW		(Muffler Guard)	
836A	691676	SCREW		(Muffler Guard)	

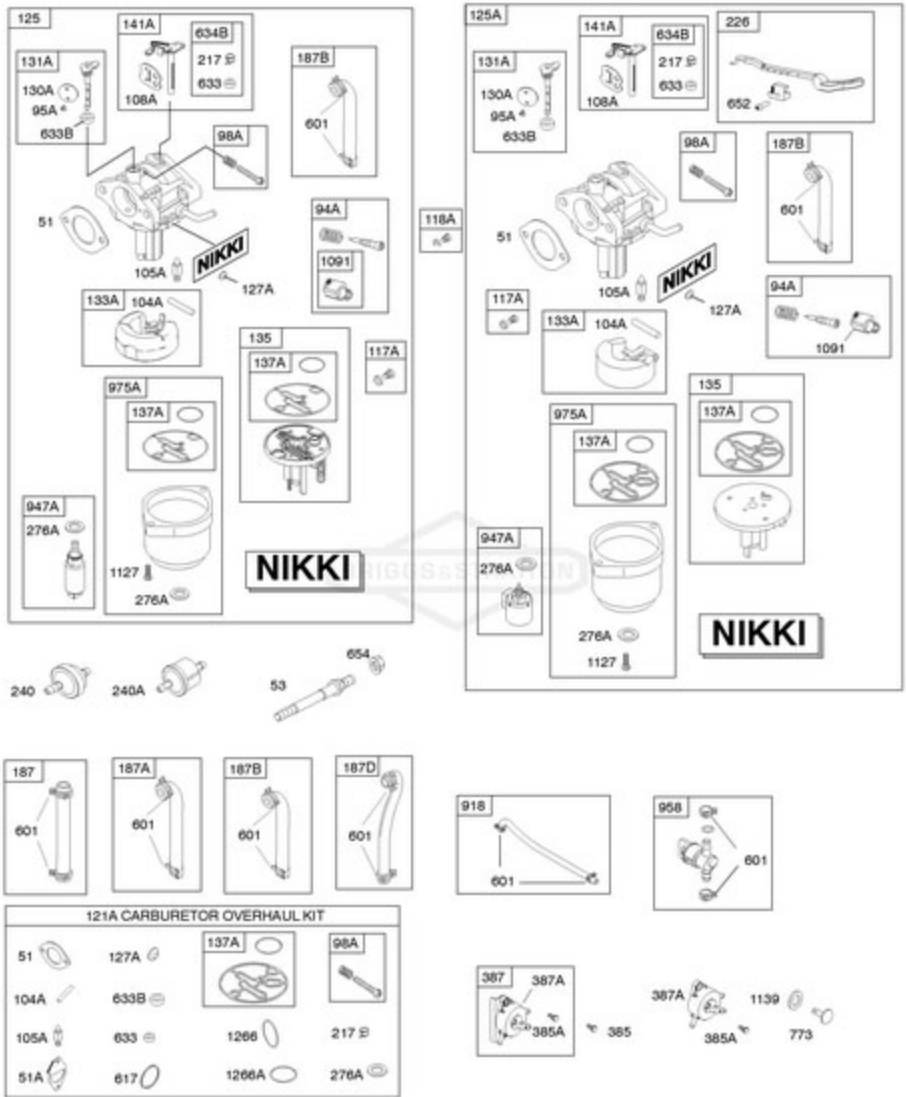
Ref #	Part #	Description	Qty	Context Note	Foot Note
864	796002	ADAPTER, Muffler		(2 1/4" Long)	
883	692236	GASKET, Exhaust			
884	691956	CLAMP, Muffler			
949A	799358	GUARD, Debris Screen			
994	794945	ARRESTOR, Spark			
1005	796083	FAN, Flywheel		Used After Code Date 07040800	
1005A	796201	FAN-FLYWHEEL		Used Before Code Date 07040900	
1005B		Fan-Flywheel		(No Longer Available)(See Reference 1005A for Service Flywheel Fan)	
1044	698139	SCREW		(Flywheel)	
1051	691265	RING, Retaining			
1070	791680	SCREW		(Flywheel Fan) Used Before Code Date 07040900	
1070A	690363	SCREW		(Flywheel Fan) Used After Code Date 07040800 Used Before Code Date 08061000	



Copyright © Briggs & Stratton, LLC. All rights reserved.

Ref #	Part #	Description	Qty	Context Note	Foot Note
5	796026	HEAD-CYLINDER			
7	796584	GASKET, Cylinder Head			
13	592244	SCREW		(Cylinder Head) (5/16-18 x 2.69) Used After Code Date 07010900	
13	690360	SCREW		(Cylinder Head) (5/16-18 x 2.25) Used Before Code Date 07011000	
33	792868	VALVE, Exhaust			
34	791935	VALVE, Intake			
35	691279	SPRING, Valve		(Intake)	
36	691279	SPRING, Valve		(Exhaust)	
42	499586	KEEPER, Valve			
45	690564	TAPPET, Valve			
50	591248	MANIFOLD, Intake			
50B	592842	MANIFOLD-INTAKE			
51	692137	GASKET-INTAKE			
51A	796081	GASKET, Intake			
53	591260	STUD		(Carburetor) (1.00" Thread Length) Used After Code Date 11121800	
53	690227	STUD		(Carburetor) (1.75 Thread Length) Used Before Code Date 11121900	
54	691148	SCREW		(Intake Manifold)	
186	794873	CONNECTOR, Hose			
186A	796532	CONNECTOR, Hose			
192	691986	ADJUSTER, Rocker Arm			
238	691843	CAP, Valve			
306	592777	SHIELD, Cylinder		Used After Code Date 08042700	
306	697107	SHIELD, Cylinder		Used Before Code Date 08042800	
307	691693	SCREW		(Cylinder Shield)	
337	491055S	PLUG, Spark			
337	84007216	PLUG, SPARK		(China Only)	
383	89838S	WRENCH, Spark Plug			
415	794903	PLUG		(Sump)	
512	594200	HOSE, Oil Drain			
523	699908	DIPSTICK			
524	691032	SEAL, O-Ring			
525	697184	TUBE, Dipstick			
617	692138	SEAL, O-Ring		(Intake Manifold)	
635	691909	BOOT, Spark Plug			

Ref #	Part #	Description	Qty	Context Note	Foot Note
654	690958	NUT		(Carburetor)	
830	691095	STUD, Rocker Arm			
842	691031	SEAL, O-Ring		(Dipstick Tube)	
847	790442	DIPSTICK/TUBE ASSEMBLY			
850	100106	SEALANT, Liquid		Used After Code Date 07071800	
868	690968	SEAL, Valve			
883	692236	GASKET, Exhaust			
914	691108	SCREW		(Rocker Cover)	
1022	272475S	GASKET, Rocker Cover		(After Date Code Use Liquid Sealant Reference 850) Used Before Code Date 07091000	
1023	797421	COVER-ROCKER			
1026	692011	ROD, Push		(Exhaust)	
1026	692003	ROD, Push		(Intake)	
1029	691751	ARM, Rocker			
1034	690822	GUIDE, Push Rod			
1095	794152	GASKET SET, Valve			



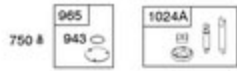
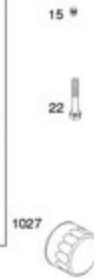
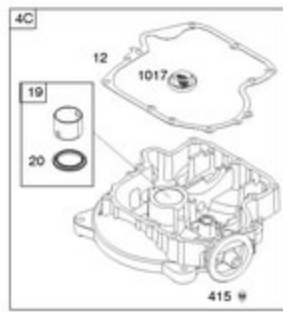
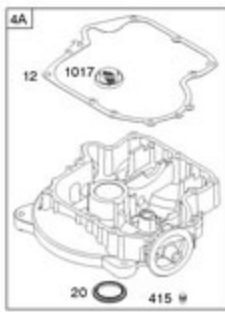
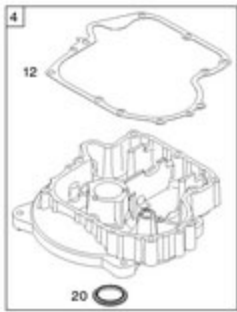
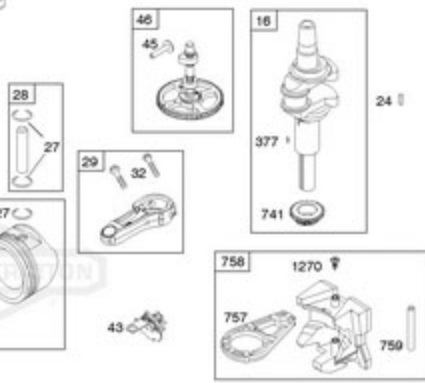
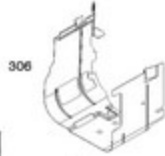
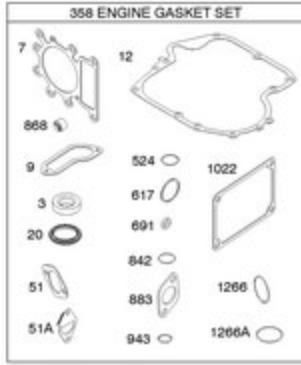
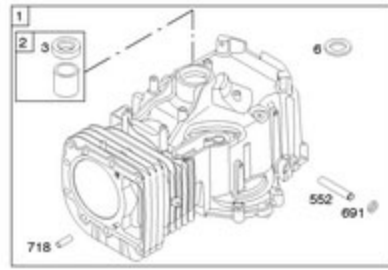
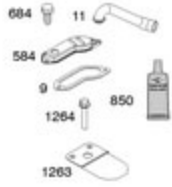
Copyright © Briggs & Stratton, LLC. All rights reserved.

Ref #	Part #	Description	Qty	Context Note	Foot Note
51	692137	GASKET-INTAKE			
51A	796081	GASKET, Intake			
53	690227	STUD		(Carburetor) (1.75 Thread Length) Used Before Code Date 11121900	
53	591260	STUD		(Carburetor) (1.00" Thread Length) Used After Code Date 11121800	
94A	793610	KIT, Idle Mixture			
95A	690718	SCREW		(Throttle Valve) (Nikki) Used Before Code Date 16010400	
98A	695408	KIT, Idle Speed		(Nikki) Used Before Code Date 16010400	
104A	694918	PIN, Float Hinge		(Nikki) Used Before Code Date 16010400	
105A	696136	VALVE, Float Needle		(Nikki) Used Before Code Date 16010400	
108A	695419	VALVE, Choke		(Nikki) Used Before Code Date 16010400	
117A	699733	JET, Main		(Standard) (Nikki) Used Before Code Date 16010400	
118A	843099	JET, Main		(High Altitude) Used Before Code Date 16010400	
121A	796184	KIT, Carburetor Overhaul		(Nikki Carburetor)	
125	591734	CARBURETOR		(Nikki) Used Before Code Date 16010400	
127A	690727	PLUG, Welch			
130A	792747	VALVE, Throttle		(Nikki) Used Before Code Date 16010400	
131A	792765	KIT, Throttle Shaft		(Nikki) Used Before Code Date 16010400	
133A	694914	FLOAT, Carburetor		(Nikki) Used Before Code Date 16010400	
135	698780	TUBE, Fuel Transfer		(Nikki)(Gravity Feed)(Does Not Include Jet)	
135	792022	TUBE-FUEL TRANSFER		(Pump Feed)(Does Not Include Jet) Used Before Code Date 12081300	
135	796400	TUBE, Fuel Transfer		(Nikki)(Pump Feed) Used After Code Date 12081200	
137A	698781	GASKET, Float Bowl		(Nikki) Used Before Code Date 16010400	
141A	792777	KIT, Choke Shaft		(Nikki) Used Before Code Date 16010400	
187	791766	LINE, Fuel		(15" Long)(Cut To Required Length)	
187A	791806	LINE, Fuel		(Formed)(21)(Cut to Required Length)	
187B	791805	LINE, Fuel		(Formed)(10-1/4" Long)(Cut to Required Length)	
187D	791744	LINE, Fuel		(Formed)(14 Inches Long)(Cut To Required Length)	
217	695409	SPRING, Choke Return		(Nikki) Used Before Code Date 16010400	
226	793386	KIT, Choke Shaft		(Manual Choke)	
240	394358S	FILTER, Fuel		(White, 75 Microns)	
276A	695410	WASHER, Sealing		(Nikki) Used Before Code Date 16010400	

Ref #	Part #	Description	Qty	Context Note	Foot Note
385	694476	SCREW		(Fuel Pump)	
385A	690297	SCREW		(Fuel Pump)	
387	697090	PUMP, Fuel		(Includes Mounting Bracket) Used Before Code Date 08042800	
387A	808656	PUMP, Fuel		Used After Code Date 08042700	
601	691038	CLAMP, Hose		(Black)	
601	791850	CLAMP, Hose		(Green)	
617	692138	SEAL, O-Ring		(Intake Manifold)	
633	699813	SEAL, Choke/Throttle Shaft			
633B	690998	SEAL, Choke/Throttle Shaft		(Nikki) Used Before Code Date 16010400	
634B	698779	SPRING/SEAL ASSEMBLY			
652	793380	SCREW		(Support Bracket) (Manual Choke)	
654	690958	NUT		(Carburetor)	
773	796448	RETAINER			
918	791851	HOSE, Vacuum			
947A	699915	SOLENOID, Fuel		(Nikki) Used Before Code Date 16010400	
975A	699502	BOWL, Float		(Nikki) Used Before Code Date 16010400	
1091	691333	CAP, Limiter			
1127	695407	SCREW		(Float Bowl) (Float Bowl to Carburetor Body)	
1139	796449	WASHER		(Fuel Pump Bracket)	
1266	691917	SEAL, O-Ring		(Intake Elbow)	
1266A	697123	SEAL, O-Ring		(Intake Elbow)	

1036 EMISSIONS LABEL

1319 WARNING LABEL



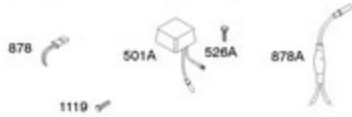
Copyright © Briggs & Stratton, LLC. All rights reserved.

Ref #	Part #	Description	Qty	Context Note	Foot Note
1	796010	CYLINDER ASSEMBLY			
1	796010	CYLINDER ASSEMBLY		MUST BE USED WITH THE AFTER 4/27/08 CYLINDER SHIELD, REF 306 Used Before Code Date 08042800	
2	797673	KIT, Bushing/Seal		(Magneto Side)	
3	391086S	SEAL, Oil		(Magneto Side)	
4A	592849	SUMP, Engine			
6	690310	WASHER		(Cylinder Head) Used After Code Date 07010900	
7	796584	GASKET, Cylinder Head			
9	697109	GASKET, Breather		(After Date Code Use Liquid Sealant Reference 850) Used Before Code Date 07071900	
11	794683	TUBE, Breather			
12	697110	GASKET, Crankcase		(.015" Thick)(Standard)	
15	690946	PLUG, Oil Drain		(Square Head)	
16	596006	CRANKSHAFT		(Angled Cut Keyway) Used After Code Date 12071700	
16	797579	CRANKSHAFT		(Straight Cut Keyway) Used Before Code Date 12071800	
19	591010	KIT, Bushing/Seal		(PTO Side)	
20	795387	SEAL, Oil		(PTO Side)	
22	692125	SCREW		(Crankcase Cover/Sump)	
24	591757	KEY, Flywheel		(1.100" Long)	
24	796335	KEY, Flywheel		(0.555" Long)	
25	796172	PISTON ASSEMBLY		(Standard) Used Before Code Date 14100100	
25	796173	PISTON ASSEMBLY		Used Before Code Date 14100100	
25	594435	PISTON ASSEMBLY		(Standard) Used After Code Date 14093000	
25	594436	PISTON ASSEMBLY		Used After Code Date 14093000	
26	699026	SET, Ring		(Standard) Used Before Code Date 06010100	
26	792649	SET, Ring		(.020 Oversize) Used Before Code Date 14100100	
26	594437	RING SET		(Standard) Used After Code Date 06010100	
26	594438	SET, Ring		(.020 Oversize) Used After Code Date 14093000	
27	698469	LOCK, Piston Pin			
28	796007	PIN, Piston		(1.97) Used After Code Date 08042700 Used Before Code Date 14100100	

Ref #	Part #	Description	Qty	Context Note	Foot Note
28	594439	PIN, Piston		(1.62" Long) Used After Code Date 14093000	
28	697099	PIN, Piston		(Standard) Used Before Code Date 08042800	
29	794122	ROD, Connecting			
32	791118	SCREW		(Connecting Rod)	
43	691968	SLINGER, Governor/ Oil			
45	690564	TAPPET, Valve			
46	793880	CAMSHAFT			
51	692137	GASKET-INTAKE			
51A	796081	GASKET, Intake			
306	697107	SHIELD, Cylinder		Used Before Code Date 08042800	
306	592777	SHIELD, Cylinder		Used After Code Date 08042700	
307	691693	SCREW		(Cylinder Shield)	
358	796187	GASKET SET, Engine			
377	691639	KEY, Woodruff			
415	794903	PLUG		(Sump)	
524	691032	SEAL, O-Ring			
552	697144	BUSHING, Governor Crank			
584	794682	COVER, Breather Passage			
617	692138	SEAL, O-Ring		(Intake Manifold)	
684	697157	SCREW		(Breather Passage Cover)	
691	692407	SEAL, Governor Shaft			
718	690959	PIN, Locating			
741	697128	GEAR, Timing			
750	790832	SCREW		(Oil Pump Cover)	
757	793242	LINK, Counterweight			
758	793763	COUNTERWEIGHT		Used Before Code Date 14100600	
758	594443	COUNTERWEIGHT		Used After Code Date 14100500	
759	697392	PIN, Counterweight			
842	691031	SEAL, O-Ring		(Dipstick Tube)	
850	100106	SEALANT, Liquid		Used After Code Date 07071800	
868	690968	SEAL, Valve			
883	692236	GASKET, Exhaust			
943	690589	SEAL, O-Ring		(Oil Pump Cover)	
965	499613	COVER, Oil Pump			
1017	796981	SCREEN, Oil Pump			

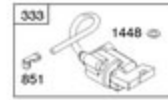
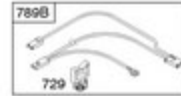
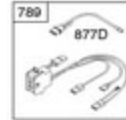
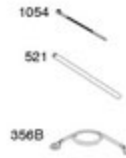
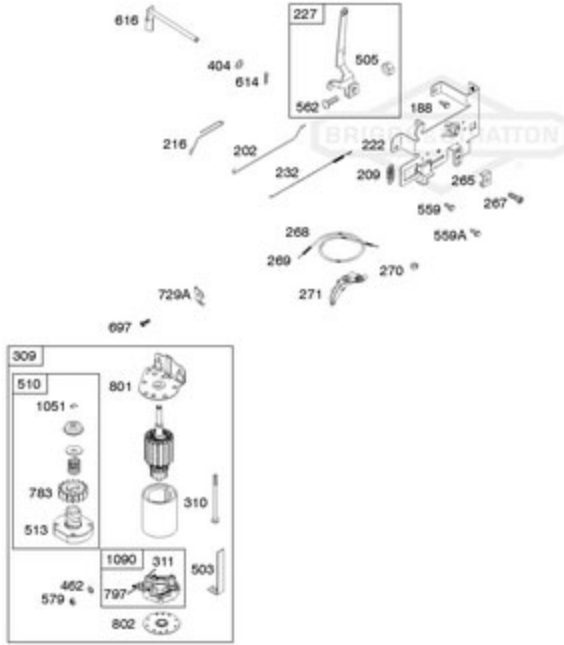
Ref #	Part #	Description	Qty	Context Note	Foot Note
1022	272475S	GASKET, Rocker Cover		(After Date Code Use Liquid Sealant Reference 850) Used Before Code Date 07091000	
1024A	794644	PUMP-OIL			
1027	696854	FILTER, Oil		(Premium)	
1027	492932S	FILTER, Oil		(Standard)	
1036		Label-Emissions		(Available From A Briggs & Stratton Authorized Dealer)	
1263	697124	REED, Breather			
1264	697104	SCREW		(Breather Reed)	
1266	691917	SEAL, O-Ring		(Intake Elbow)	
1266A	697123	SEAL, O-Ring		(Intake Elbow)	
1270	793243	PLUG, AVS Counterweight			
1319	794467	LABEL, Warning			

DUAL CIRCUIT		5/9 AMP		TRI CIRCUIT	
474B	1059	474C	1059	474C	1059



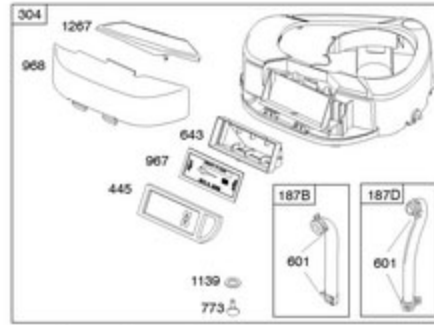
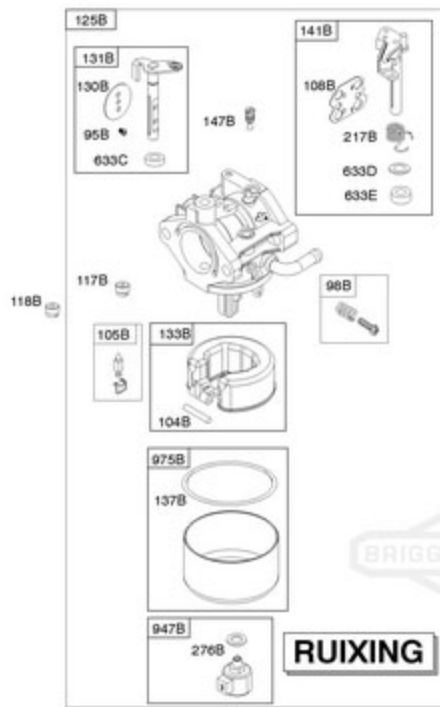
NOTE: All stators use a No. 1119 mounting screw.

NOTE: The proper flywheel part number and/or the alternator magnet size will determine the alternator type or output. See repair instruction manual for additional information.

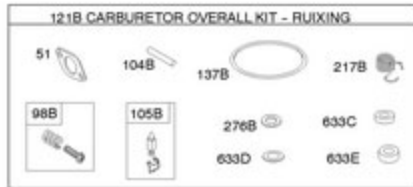
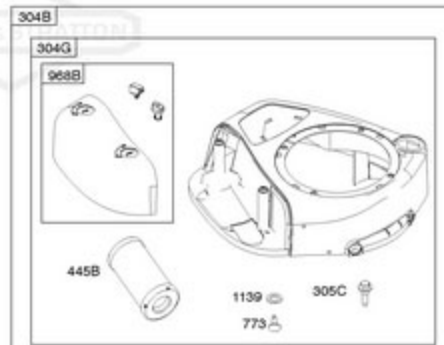
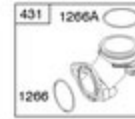


Ref #	Part #	Description	Qty	Context Note	Foot Note
188	691693	SCREW		(Control Bracket)	
202	691841	LINK, Mechanical Governor			
209	796260	SPRING, Governor		(Green)	
216	691840	LINK, Choke			
222	694042	BRACKET, Control			
227	691374	LEVER, Governor Control			
232	691842	SPRING, Governor Link			
265	691024	CLAMP, Casing			
267	794904	SCREW		(Casing Clamp)	
268	691025	CASING, Control Wire		(Cut To Required Length)	
269	691026	WIRE, Control		(Cut To Required Length)	
270	691027	NUT		(Control Wire Casing)	
271	691028	LEVER, Control			
309	693551	MOTOR, Starter			
310	690323	SCREW		(Starter Motor)	
311	497608	SET, Brush			
333	799650	ARMATURE, Magneto			Used Before Code Date 16070100
333A	594626	ARMATURE, Magneto			Used After Code Date 16063000
333B	595304	ARMATURE, Magneto			(EMC Compliant) Used After Code Date 16063000
334	691061	SCREW		(Magneto Armature)	
356B	697089	WIRE, Stop			
404	691691	WASHER		(Governor Crank)	
462	691261	WASHER		(Starter Cable)	
474B	592831	ALTERNATOR		(Dual Circuit)	
501A	794360	REGULATOR			
503	691532	STRAP, Starter			
505	691251	NUT		(Governor Control Lever)	
510	693699	DRIVE, Starter			
513	692024	CLUTCH, Drive			
526A	697088	SCREW		(Regulator)	
559	697561	SCREW		(Remote Choke Stop) (Length .375 Inches)	
559A	693675	SCREW		(Remote Choke Stop) (Length .419 Inches)	
562	691119	BOLT		(Governor Control Lever)	
579	691029	NUT		(Starter Cable)	
614	691620	PIN, Cotter			
616	692012	CRANK, Governor			
697	791680	SCREW		(Starter Motor) (Drive Cap)	
729	691335	CLIP, Wire			

Ref #	Part #	Description	Qty	Context Note	Foot Note
729A	691224	CLIP, Wire			
783	593935	GEAR, Pinion			
789	698329	HARNESS, Wiring			
789B	692037	HARNESS-WIRING			
797	693167	NUT		(Brush Retainer)	
801	691283	CAP, Drive			
802	691286	CAP, End			
851	692424	TERMINAL, Spark Plug			
877	393456	WIRE/CONNECTOR, Alternator		(Dual Circuit)	
877D	790544	WIRE/CONNECTOR, Alternator			
878	398661	HARNESS, Wiring		(Dual Circuit)	
878A	691955	HARNESS, Alternator		(Tri Circuit)	
1051	691265	RING, Retaining			
1054	280275	TIE, Cable			
1059	698516	KIT, Screw/Washer			
1090	691293	RETAINER, Brush			
1119	691183	SCREW		(Alternator)	
1448	690260	WASHER		(Magneto Armature)	



305 305A 305B



Ref #	Part #	Description	Qty	Context Note	Foot Note
51	692137	GASKET-INTAKE			
95B	593897	SCREW		(Throttle Valve) (Ruixing) Used After Code Date 16010300	
98B	846817	KIT, Idle Speed		(Ruixing) Used After Code Date 16010300	
104B	594860	PIN, Float Hinge		(Ruixing) Used After Code Date 16010300	
105B	594868	VALVE, Float Needle		(Ruixing) Used After Code Date 16010300	
108B	594863	VALVE, Choke		(Ruixing) Used After Code Date 16010300	
117B	595071	JET, Main		(Standard) (Ruixing) Used After Code Date 16010300	
118B	595069	JET, Main		(High Altitude) (Ruixing) Used After Code Date 16010300	
121B	594886	KIT, Carburetor Overhaul		(Ruixing)	
125B	594603	CARBURETOR		(Ruixing)(Pump Feed) Used After Code Date 16010300	
125B	594605	CARBURETOR		(Ruixing)(Gravity Feed) Used After Code Date 16010300	
130B	594858	VALVE, Throttle		(Ruixing) Used After Code Date 16010300	
131B	594856	KIT, Throttle Shaft		(Ruixing) Used After Code Date 16010300	
133B	594859	FLOAT, Carburetor		(Ruixing) Used After Code Date 16010300	
137B	594861	GASKET, Float Bowl		(Ruixing) Used After Code Date 16010300	
141B	594862	KIT, Choke Shaft		(Ruixing) Used After Code Date 16010300	
147B	594872	JET, Pilot		(Ruixing) Used After Code Date 16010300	
187B	791805	LINE, Fuel		(Formed)(10-1/4" Long)(Cut to Required Length)	
187D	791744	LINE, Fuel		(Formed)(14 Inches Long)(Cut To Required Length)	
217B	594864	SPRING, Choke Return		(Ruixing) Used After Code Date 16010300	
276B	846640	WASHER, Sealing		(Ruixing) Used After Code Date 16010300	
304	796416	HOUSING, Blower		(See Reference 304B For Service)	
304B	591907	HOUSING-BLOWER		(Black-Compatible With Panel Style Filter)	
304G	591642	HOUSING, Blower		(Black-Compatible With Canister Style Filter)	
305	697102	SCREW		(Blower Housing)	
305A	793376	SCREW		(Blower Housing) (Used On Non-Grommet Style Blower Housings)	
305B	795891	SCREW		(Blower Housing) (Blower Housing To Intake Elbow)	
305C	799370	SCREW		(Blower Housing) (Used On Grommet Style Blower Housings)	
431B	797901	ELBOW, Intake			

Ref #	Part #	Description	Qty	Context Note	Foot Note
445	797008	FILTER, A/C Cartridge		(Flat Panel Air Cleaner)	
445B	594201	FILTER, A/C Cartridge			
601	791850	CLAMP, Hose		(Green)	
601	691038	CLAMP, Hose		(Black)	
633C	594866	SEAL, Choke/Throttle Shaft		(Ruixing) Used After Code Date 16010300	
633D	594865	SEAL, Choke/Throttle Shaft		(Ruixing) Used After Code Date 16010300	
633E	797629	SEAL, Choke/Throttle Shaft		(Ruixing) Used After Code Date 16010300	
643	698401	RETAINER, Air Filter			
773	796448	RETAINER			
947B	846639	SOLENOID, Fuel		(Ruixing) Used After Code Date 16010300	
964	799159	CAP, Connector			
967	697015	FILTER, Pre Cleaner			
967B	793685	FILTER, Pre Cleaner			
968B	591647	COVER, Air Cleaner		(Black-Compatible With Canister Style Filter)	
975B	594867	BOWL, Float		(Ruixing) Used After Code Date 16010300	
1040B	699852	PLATE, Trim			
1139	796449	WASHER		(Fuel Pump Bracket)	
1266	691917	SEAL, O-Ring		(Intake Elbow)	
1266A	697123	SEAL, O-Ring		(Intake Elbow)	
1267	697419	LATCH, Blower Housing		(Black)	