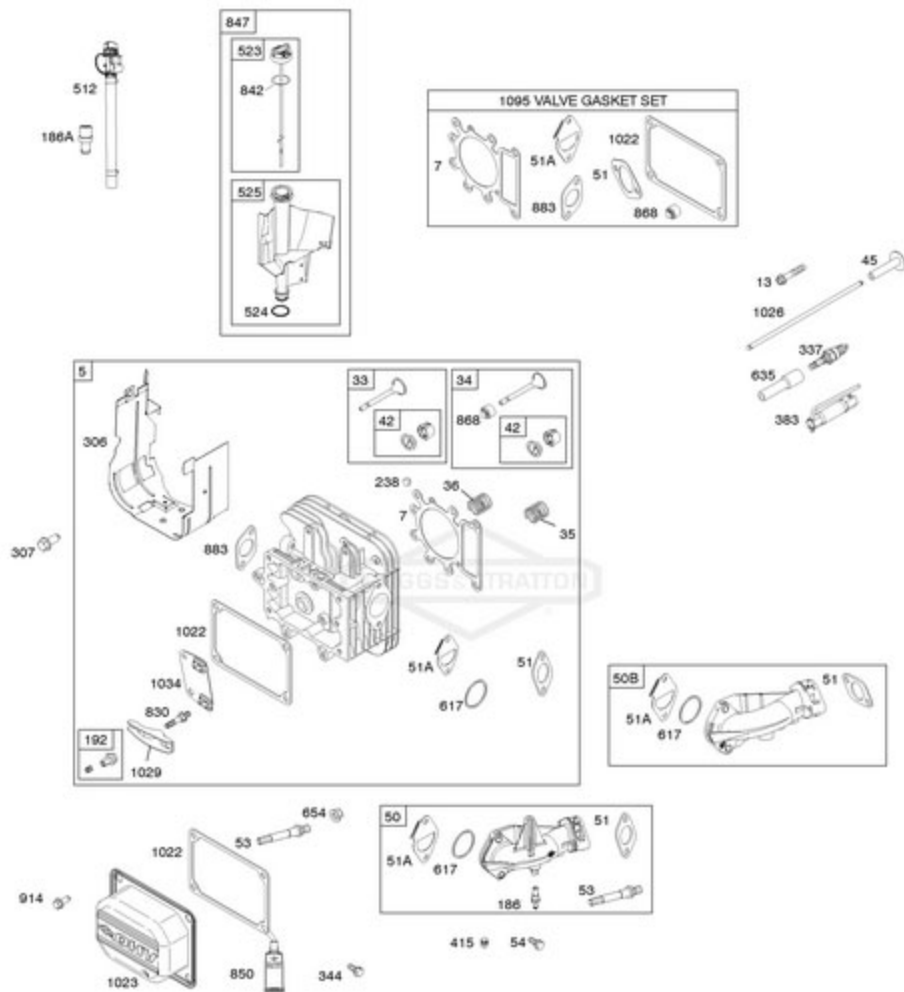


Copyright © Briggs & Stratton, LLC. All rights reserved.

Ref #	Part #	Description	Qty	Context Note	Foot Note
23	591759	FLYWHEEL		Used After Code Date 12071700	
23	698281	FLYWHEEL		Used Before Code Date 12071800	
37	697352	GUARD, Flywheel			
55	695130	HOUSING, Rewind Starter		Used Before Code Date 12082700	
56	695129	PULLEY, Starter		Used Before Code Date 12082700	
57	695131	SPRING, Rewind Starter		Used Before Code Date 12082700	
58	695132	ROPE, Starter		Used Before Code Date 12082700	
58A	697316	ROPE, Starter		Used After Code Date 12082600	
60A	281434S	GRIP, Starter Rope			
65	690837	SCREW		(Rewind Starter) Used Before Code Date 12082700	
65A	690940	SCREW		(Rewind Starter) Used After Code Date 12082600	
73B		Screen-Rotating		(No Longer Available)(See Reference 1005A for Service Flywheel Fan) Used Before Code Date 07040900	
74	697897	SCREW		(Rotating Screen)	
78	691693	SCREW		(Flywheel Guard)	
81	691178	LOCK, Muffler Screw			
324	593933	SCREEN/CUP ASSEMBLY		Used After Code Date 07040800	
346	794845	SCREW		(Spark Arrestor)	
363	19203	PULLER, Flywheel			
415A	794129	COVER, Flywheel			
455	695113	CUP, Flywheel		Used Before Code Date 12082700	
455A	796615	CUP, Flywheel		Used After Code Date 12082600	
456	695128	PLATE, Pawl Friction		Used Before Code Date 12082700	
459	281505S	PAWL-RATCHET		Used Before Code Date 12082700	
563A	799359	SCREW		(Debris Screen Guard)	
597	691696	SCREW		(Pawl Friction Plate) Used Before Code Date 12082700	
608		Starter-Rewind		(No Longer Available)(See Reference 608A For Service)	
608A	591606	STARTER, Rewind			
613	691416	SCREW		(Muffler)	
613A	691678	SCREW		(Muffler)	
613B	690297	SCREW		(Muffler)	

Ref #	Part #	Description	Qty	Context Note	Foot Note
676	795036	DEFLECTOR, Muffler			
677	690661	SCREW		(Muffler Deflector)	
689	691855	SPRING- FRICTION		Used Before Code Date 12082700	
783	593935	GEAR, Pinion			
823	698941	SCREW		(Muffler Adapter)	
832A	595029	GUARD, Muffler			
864	796002	ADAPTER, Muffler		(2 1/4" Long)	
883	692236	GASKET, Exhaust			
949A	799358	GUARD, Debris Screen			
994	794945	ARRESTOR, Spark			
1005	796083	FAN, Flywheel		Used After Code Date 07040800	
1005A	796201	FAN-FLYWHEEL		Used Before Code Date 07040900	
1005B		Fan-Flywheel		(No Longer Available)(See Reference 1005A for Service Flywheel Fan)	
1044	698139	SCREW		(Flywheel)	
1051	691265	RING, Retaining			
1070	791680	SCREW		(Flywheel Fan) Used Before Code Date 07040900	
1070A	690363	SCREW		(Flywheel Fan) Used After Code Date 07040800 Used Before Code Date 08061000	

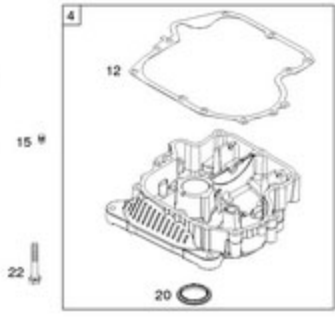
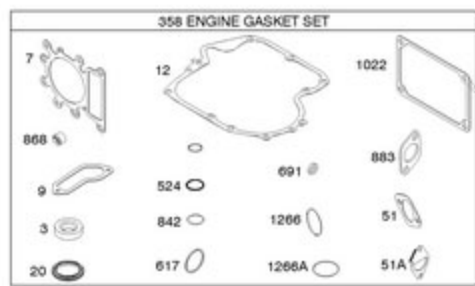
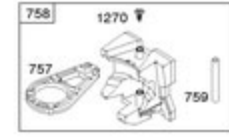
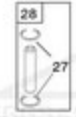
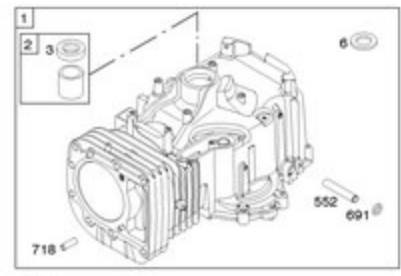
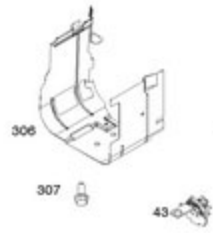
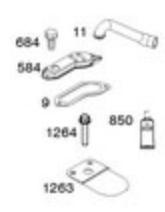


Copyright © Briggs & Stratton, LLC. All rights reserved.

Ref #	Part #	Description	Qty	Context Note	Foot Note
5	796026	HEAD-CYLINDER			
7	796584	GASKET, Cylinder Head			
13	592244	SCREW		(Cylinder Head) (5/16-18 x 2.69) Used After Code Date 07010900	
13	690360	SCREW		(Cylinder Head) (5/16-18 x 2.25) Used Before Code Date 07011000	
33	792868	VALVE, Exhaust			
34	791935	VALVE, Intake			
35	691279	SPRING, Valve		(Intake)	
36	691279	SPRING, Valve		(Exhaust)	
42	499586	KEEPER, Valve			
45	690564	TAPPET, Valve			
50	591248	MANIFOLD, Intake			
50B	592842	MANIFOLD-INTAKE			
51	692137	GASKET-INTAKE			
51A	796081	GASKET, Intake			
53	591260	STUD		(Carburetor) Used After Code Date 11121800	
53	690227	STUD		(Carburetor) Used Before Code Date 11121900	
54	691148	SCREW		(Intake Manifold)	
186	794873	CONNECTOR, Hose			
186A	796532	CONNECTOR, Hose		(Oil Drain)	
192	691986	ADJUSTER, Rocker Arm			
238	691843	CAP, Valve			
306	697107	SHIELD, Cylinder		Used Before Code Date 08042800	
306	592777	SHIELD, Cylinder		Used After Code Date 08042700	
307	691693	SCREW		(Cylinder Shield)	
337	691043	PLUG, Spark			
344	693675	SCREW		(Cable Clamp)	
383	89838S	WRENCH, Spark Plug			
415	794903	PLUG			
512	594200	HOSE, Oil Drain			
523	699908	DIPSTICK			
524	691032	SEAL, O-Ring			
525	697085	TUBE, Dipstick			
617	692138	SEAL, O-Ring		(Intake Manifold)	
635	691909	BOOT, Spark Plug			
654	690958	NUT		(Carburetor)	
830	691095	STUD, Rocker Arm			
842	691031	SEAL, O-Ring		(Dipstick Tube)	

Ref #	Part #	Description	Qty	Context Note	Foot Note
847	790443	DIPSTICK/TUBE ASSEMBLY			
850	100106	SEALANT, Liquid		(Rocker Cover Gasket and Breather Gasket) Used After Code Date 07071800	
868	690968	SEAL, Valve			
883	692236	GASKET, Exhaust			
914	691108	SCREW		(Rocker Cover)	
1022	272475S	GASKET, Rocker Cover		(After Date Code Use Liquid Sealant Reference 850) Used Before Code Date 07091000	
1023	797421	COVER-ROCKER			
1026	692011	ROD, Push		(Exhaust)	
1026	692003	ROD, Push		(Intake)	
1029	691751	ARM, Rocker			
1034	690822	GUIDE, Push Rod			
1095	796189	GASKET SET, Valve			

- 1036 EMISSIONS LABEL
- 1319 WARNING LABEL
- 1319A WARNING LABEL

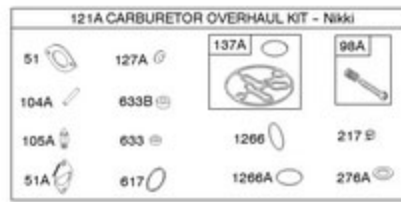
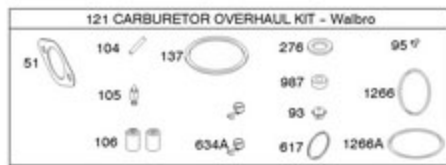
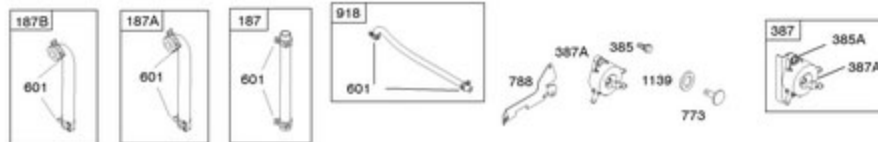
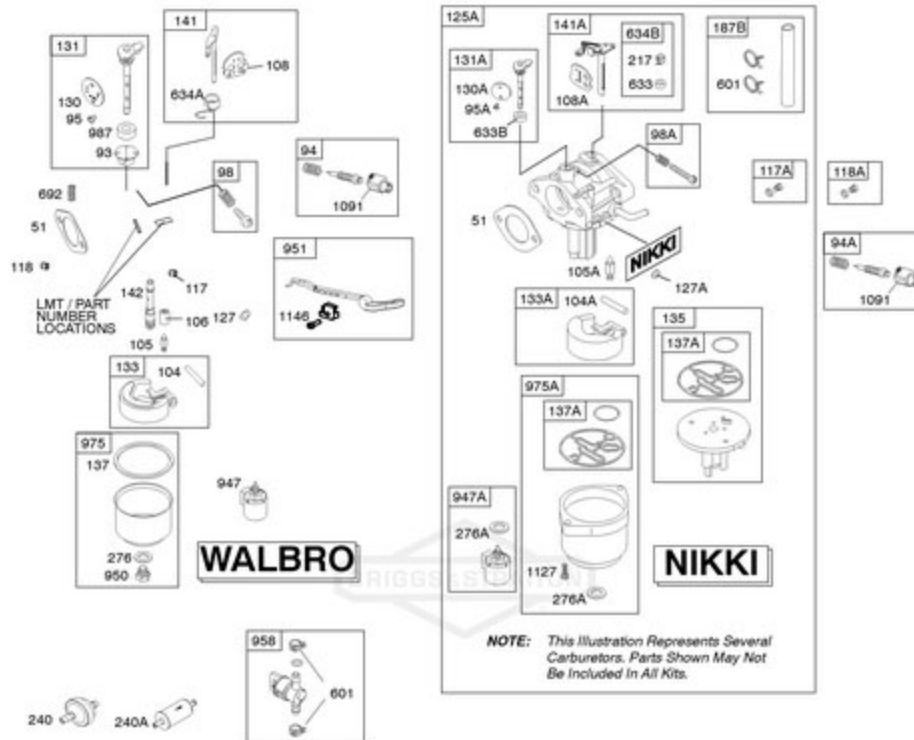


Copyright © Briggs & Stratton, LLC. All rights reserved.

Ref #	Part #	Description	Qty	Context Note	Foot Note
1	796010	CYLINDER ASSEMBLY			
1	796010	CYLINDER ASSEMBLY		MUST BE USED WITH THE AFTER 4/27/08 CYLINDER SHIELD, REF 306 Used Before Code Date 08042800	
2	797673	KIT, Bushing/Seal		(Magneto Side)	
3	391086S	SEAL, Oil		(Magneto Side)	
4	697106	SUMP, Engine		Used After Code Date 05100200	
4	795903	COUNTERWEIGHT		Used Before Code Date 05100300	
6	690310	WASHER		(Cylinder Head) Used After Code Date 07010900	
7	796584	GASKET, Cylinder Head			
9	697109	GASKET, Breather		(After Date Code Use Liquid Sealant Reference 850) Used Before Code Date 07071900	
11	794683	TUBE, Breather			
12	697110	GASKET, Crankcase			
15	690946	PLUG, Oil Drain		(Square Head)	
16	596006	CRANKSHAFT		Used After Code Date 12071700	
16	797579	CRANKSHAFT		Used Before Code Date 12071800	
20	795387	SEAL, Oil		(PTO Side)	
22	692125	SCREW		(Crankcase Cover/Sump)	
24	591757	KEY, Flywheel		Used After Code Date 12071700	
24	796335	KEY, Flywheel		Used Before Code Date 12071800	
25	594436	PISTON ASSEMBLY		(.020" Oversize) Used After Code Date 14093000	
25	796172	PISTON ASSEMBLY		(Standard) Used Before Code Date 14100100	
25	796173	PISTON ASSEMBLY		(.020 Oversize) Used Before Code Date 14100100	
25	594435	PISTON ASSEMBLY		(Standard) Used After Code Date 14093000	
26	699026	SET, Ring		(Standard) Used Before Code Date 06010200	
26	792649	SET, Ring		(.020 Oversize) Used Before Code Date 14100100	
26	594438	SET, Ring		(.020 Oversize) Used After Code Date 14093000	
26	594437	RING SET		(Standard) Used After Code Date 06010100	
27	698469	LOCK, Piston Pin			
28	594439	PIN, Piston		(1.62" Long) Used After Code Date 14093000	

Ref #	Part #	Description	Qty	Context Note	Foot Note
28	697099	PIN, Piston		(Standard) Used Before Code Date 08042800	
28	796007	PIN, Piston		(1.97) Used After Code Date 08042700 Used Before Code Date 14100100	
29	794122	ROD, Connecting		(Standard)	
32	791118	SCREW		(Connecting Rod)	
43	691968	SLINGER, Governor/ Oil			
45	690564	TAPPET, Valve			
46	793880	CAMSHAFT			
51	692137	GASKET-INTAKE			
51A	796081	GASKET, Intake			
306	592777	SHIELD, Cylinder		Used After Code Date 08042700	
306	697107	SHIELD, Cylinder		Used Before Code Date 08042800	
307	691693	SCREW		(Cylinder Shield)	
357	691483	KEY, Drive Pulley			
358	796187	GASKET SET, Engine			
377	691639	KEY, Woodruff			
524	691032	SEAL, O-Ring			
552	697144	BUSHING, Governor Crank			
584	794682	COVER, Breather Passage		(Use with Liquid Sealant Reference 850)	
617	692138	SEAL, O-Ring		(Intake Manifold)	
684	697157	SCREW		(Breather Passage Cover)	
691	692407	SEAL, Governor Shaft			
718	690959	PIN, Locating			
741	697128	GEAR, Timing			
757	793242	LINK, Counterweight			
758	795903	COUNTERWEIGHT		Used Before Code Date 05100300	
758	793763	COUNTERWEIGHT		Used After Code Date 05100200 Used Before Code Date 14100100	
758	594443	COUNTERWEIGHT		Used After Code Date 14093000	
759	697392	PIN, Counterweight			
842	691031	SEAL, O-Ring		(Dipstick Tube)	
850	100106	SEALANT, Liquid		(Rocker Cover Gasket and Breather Gasket) Used After Code Date 07071800	
868	690968	SEAL, Valve			
883	692236	GASKET, Exhaust			
1022	272475S	GASKET, Rocker Cover		(After Date Code Use Liquid Sealant Reference 850) Used Before Code Date 07091000	

Ref #	Part #	Description	Qty	Context Note	Foot Note
1036		Label-Emissions		(Available From A Briggs & Stratton Authorized Dealer)	
1263	697124	REED, Breather			
1264	697104	SCREW		(Breather Reed)	
1266	691917	SEAL, O-Ring		(Intake Elbow)	
1266A	697123	SEAL, O-Ring		(Intake Elbow)	
1270	793243	PLUG, AVS Counterweight			
1319	794467	LABEL, Warning			
1319A	797669	LABEL, Warning			



Copyright © Briggs & Stratton, LLC. All rights reserved.

Ref #	Part #	Description	Qty	Context Note	Foot Note
51	692137	GASKET-INTAKE			
51A	796081	GASKET, Intake			
93	690602	BUSHING, Throttle Shaft			
94	794176	KIT, Idle Mixture		(Walbro)	
94A	793610	KIT, Idle Mixture		(Nikki)	
95	691636	SCREW		(Throttle Valve) (Walbro)	
95A	690718	SCREW		(Throttle Valve) (Nikki) Used Before Code Date 15113000	
98	495800	KIT, Idle Speed		(Walbro)	
98A	695408	KIT, Idle Speed		(Nikki) Used Before Code Date 15113000	
104	690525	PIN, Float Hinge		(Walbro)	
104A	694918	PIN, Float Hinge		(Nikki) Used Before Code Date 15113000	
105	231855S	VALVE-FLOAT NEEDLE		(Walbro)	
105A	696136	VALVE, Float Needle		(Nikki) Used Before Code Date 15113000	
106	690577	SEAT, Inlet		(Gravity Feed)	
106	691780	SEAT, Inlet		(Pump Feed)	
108	692344	VALVE, Choke		(Walbro)	
108A	695419	VALVE, Choke		(Nikki) Used Before Code Date 15113000	
117A	843099	JET, Main		(Standard) Used Before Code Date 15113000	
118A	695415	JET, Main		(High Altitude) Used Before Code Date 15113000	
121	697241	KIT, Carburetor Overhaul		(Walbro Carburetor)	
121A	796184	KIT, Carburetor Overhaul		(Nikki Carburetor) Used Before Code Date 15113000	
125A	591731	CARBURETOR		(Nikki) Used Before Code Date 15113000	
127	695005	PLUG, Welch			
127A	690727	PLUG, Welch			
130	691750	VALVE, Throttle		(Walbro)	
130A	699500	VALVE, Throttle		(Nikki) Used Before Code Date 15113000	
131	790901	KIT, Throttle Shaft		(Walbro)	
131A	699501	KIT, Throttle Shaft		(Nikki) Used Before Code Date 15113000	
133	494381	FLOAT, Carburetor		(Walbro)	

Ref #	Part #	Description	Qty	Context Note	Foot Note
133A	694914	FLOAT, Carburetor		(Nikki) Used Before Code Date 15113000	
135	792022	TUBE-FUEL TRANSFER		(Pump Feed)(Does Not Include Jet)	
135	698780	TUBE, Fuel Transfer		(Nikki)(Gravity Feed)(Does Not Include Jet)	
137	281165S	GASKET, Float Bowl		(Walbro)	
137A	698781	GASKET, Float Bowl		(Nikki) Used Before Code Date 15113000	
141	790902	KIT, Choke Shaft			
141A	792777	KIT, Choke Shaft		Used Before Code Date 15113000	
142	697140	NOZZLE, Carburetor			
187	791766	LINE, Fuel		(15" Long)(Cut to Required Length)	
187A	791806	LINE, Fuel		(Formed)(21)(Cut to Required Length)	
187B	791805	LINE, Fuel		(Formed)(10-1/4" Long)(Cut to Required Length)	
217	695409	SPRING, Choke Return		Used Before Code Date 15113000	
240A	84001895	FILTER, Fuel		(Includes Paper Element With A 40 Micron Rating)	
276	692255	WASHER, Sealing		(Walbro)	
276A	695410	WASHER, Sealing		(Walbro) Used Before Code Date 15113000	
385	694476	SCREW		(Fuel Pump)	
385A	690297	SCREW		(Fuel Pump)	
387	697090	PUMP, Fuel		(Includes Mounting Bracket) Used Before Code Date 08082500	
387A	808656	PUMP, Fuel		Used After Code Date 08082400	
601	791850	CLAMP, Hose		(Green)	
601	691038	CLAMP, Hose		(Black)	
617	692138	SEAL, O-Ring		(Intake Manifold)	
633	699813	SEAL, Choke/Throttle Shaft		(Nikki) Used Before Code Date 15113000	
633B	690998	SEAL, Choke/Throttle Shaft		(Nikki) Used Before Code Date 15113000	
634A	690802	SPRING/SEAL ASSEMBLY		(Walbro)	
634B	698779	SPRING/SEAL ASSEMBLY		(Nikki)	
692	590931	SPRING, Detent			
773	796448	RETAINER			
788	699347	BRACKET, Fuel Pump			

Ref #	Part #	Description	Qty	Context Note	Foot Note
918	791851	HOSE, Vacuum		(Formed)(14 Inches)(Cut To Required Length)	
947	694393	SOLENOID, Fuel		(Walbro)	
947A	699915	SOLENOID, Fuel		(Nikki) Used Before Code Date 15113000	
950	695407	SCREW		(Float Bowl) (Bottom Of Bowl)	
951	793386	KIT, Choke Shaft			
958	698183	VALVE, Fuel Shut Off			
975	495933	BOWL, Float		(Walbro)	
975A	699502	BOWL, Float		(Nikki) Used Before Code Date 15113000	
987	691326	SEAL, Choke/Throttle Shaft			
1091	691333	CAP, Limiter			
1127	695407	SCREW		(Float Bowl) (Float Bowl to Carburetor Body)	
1139	796449	WASHER		(Fuel Pump Bracket)	
1146	793380	SCREW		(Choke Shaft)	
1266	691917	SEAL, O-Ring		(Intake Elbow)	
1266A	697123	SEAL, O-Ring		(Intake Elbow)	

DC ONLY		DUAL CIRCUIT		5/9 AMP TRI CIRCUIT	
474A	1059	474B	1059	474C	1059

1119

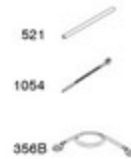
878

501A

526A

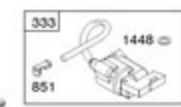
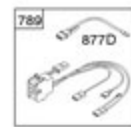
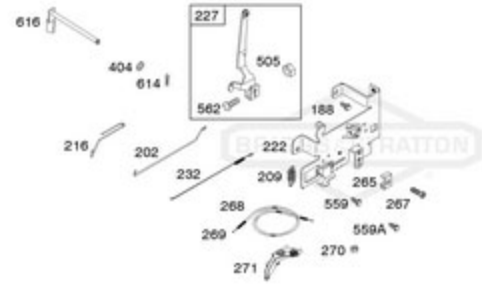
501B

526B

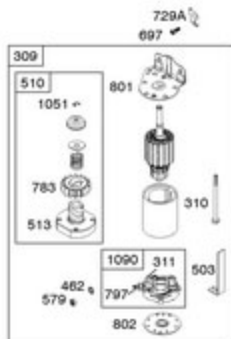


NOTE: All stators use a No. 1119 mounting screw.

NOTE: The proper flywheel part number and/or the alternator magnet size will determine the alternator type or output. See repair instruction manual for additional information.



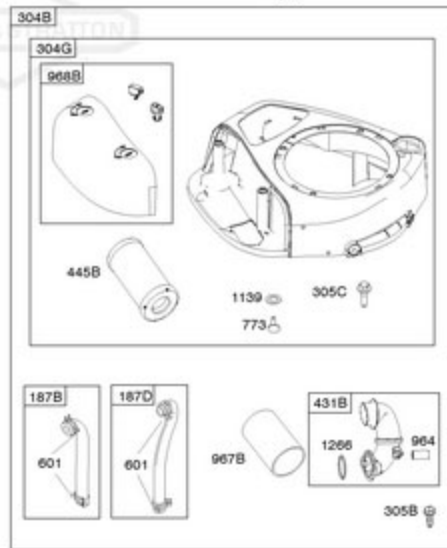
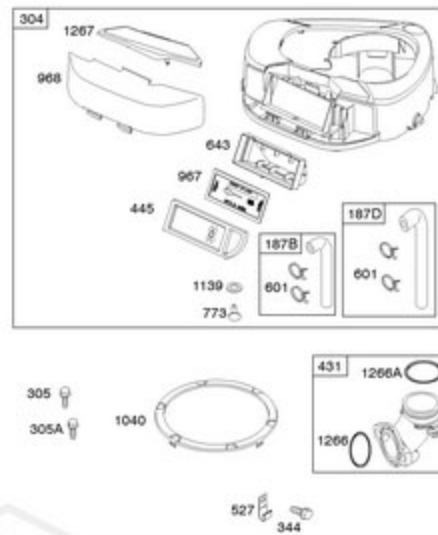
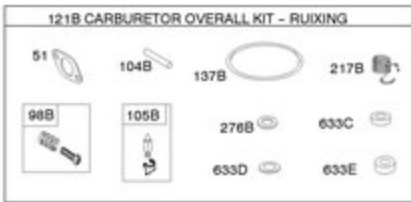
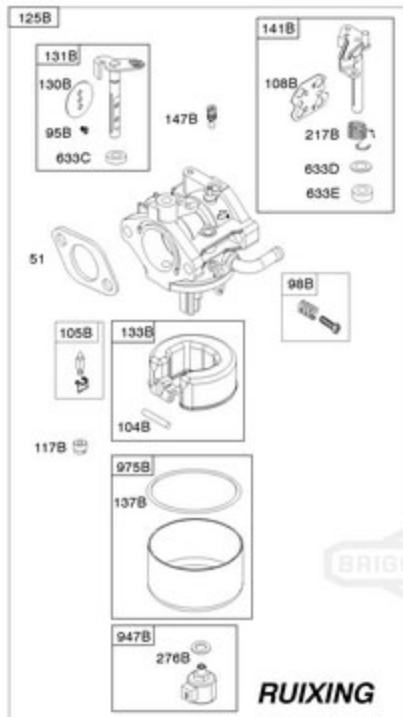
334



Copyright © Briggs & Stratton, LLC. All rights reserved.

Ref #	Part #	Description	Qty	Context Note	Foot Note
188	691693	SCREW		(Control Bracket)	
202	691841	LINK, Mechanical Governor			
209	796261	SPRING, Governor			
216	691840	LINK, Choke			
222	694042	BRACKET, Control			
227	691374	LEVER, Governor Control			
232	691842	SPRING, Governor Link			
265	691024	CLAMP, Casing			
267	794904	SCREW		(Casing Clamp)	
268	691025	CASING, Control Wire		(Cut To Required Length)	
269	691026	WIRE, Control		(Cut To Required Length)	
270	691027	NUT		(Control Wire Casing)	
271	691028	LEVER, Control			
309B	593936	MOTOR, Starter			
310	691263	BOLT		(Starter Motor) (4 3/8 Housing)	
311	497608	SET, Brush			
333	799650	ARMATURE, Magneto		Used Before Code Date 16070100	
334	691061	SCREW		(Magneto Armature)	
356B	697089	WIRE, Stop			
404	691691	WASHER		(Governor Crank)	
462	691261	WASHER		(Starter Cable)	
474A	592828	ALTERNATOR		(DC Only)	
501B	698315	REGULATOR		9 Amp Battery-Less	
503	691532	STRAP, Starter			
505	691251	NUT		(Governor Control Lever)	
510	693699	DRIVE, Starter			
513	692024	CLUTCH, Drive			
521	690581	SHIELD, Cable			
526A	697088	SCREW		(Regulator)	
526B	697348	SCREW		(Regulator)	
559	697561	SCREW		(Remote Choke Stop) (Length .375 Inches)	
559A	693675	SCREW		(Remote Choke Stop) (Length .419 Inches)	
562	691119	BOLT		(Governor Control Lever)	
579		NUT		(Starter Cable)	
614	691620	PIN, Cotter			
616	692012	CRANK, Governor			
697	791680	SCREW		(Starter Motor) (Drive Cap)	
729	691335	CLIP, Wire		(Wire Saddle)	
729A	691224	CLIP, Wire		(Aluminum Coated Steel)	

Ref #	Part #	Description	Qty	Context Note	Foot Note
783	593935	GEAR, Pinion			
789	698329	HARNESS, Wiring			
789B	692037	HARNESS-WIRING			
797	693167	NUT		(Brush Retainer)	
801	691283	CAP, Drive			
802	691286	CAP, End			
851	692424	TERMINAL, Spark Plug			
877	393456	WIRE/CONNECTOR, Alternator		(Dual Circuit)	
877A	393814	WIRE/CONNECTOR, Alternator		(DC Only)	
877D	790544	WIRE/CONNECTOR, Alternator			
878	398661	HARNESS, Wiring		(Dual Circuit)	
1051	691265	RING, Retaining			
1054	280275	TIE, Cable			
1059	698516	KIT, Screw/Washer			
1090	691293	RETAINER, Brush			
1119	691183	SCREW		(Alternator)	
1448	690260	WASHER		(Magneto Armature)	



Copyright © Briggs & Stratton, LLC. All rights reserved.

Ref #	Part #	Description	Qty	Context Note	Foot Note
51	692137	GASKET-INTAKE			
95B	593897	SCREW		(Throttle Valve) (Ruixing) Used After Code Date 15112900	
98B	846817	KIT, Idle Speed		(Ruixing) Used After Code Date 15112900	
104B	594860	PIN, Float Hinge		(Ruixing) Used After Code Date 15112900	
105B	594868	VALVE, Float Needle		(Ruixing) Used After Code Date 15112900	
108B	594863	VALVE, Choke		(Ruixing) Used After Code Date 15112900	
121B	594886	KIT, Carburetor Overhaul		(Ruixing) Used After Code Date 15112900	
130B	594857	VALVE, Throttle		(Ruixing) Used After Code Date 15112900	
131B	594855	KIT, Throttle Shaft		(Ruixing) Used After Code Date 15112900	
133B	594859	FLOAT, Carburetor		(Ruixing) Used After Code Date 15112900	
137B	594861	GASKET, Float Bowl		(Ruixing) Used After Code Date 15112900	
141B	594862	KIT, Choke Shaft		(Ruixing) Used After Code Date 15112900	
147B	594870	JET, Pilot		(Ruixing) Used After Code Date 15112900	
187B	791805	LINE, Fuel		(Formed)(10-1/4" Long)(Cut to Required Length)	
187D	791744	LINE, Fuel		(Formed)(14 Inches Long)(Cut To Required Length)	
217B	594864	SPRING, Choke Return		(Ruixing) Used After Code Date 15112900	
276B	846640	WASHER, Sealing		(Ruixing) Used After Code Date 15112900	
304	796416	HOUSING, Blower		(See Reference 304B For Service)	
304B	591907	HOUSING-BLOWER		(Black-Compatible With Canister Style Filter)	
304G	591642	HOUSING, Blower		(Black-Compatible With Canister Style Filter)	
304G	591643	HOUSING, Blower		(Black w/threaded inserts-Compatible With Canister Style Filter)	
305	697102	SCREW		(Blower Housing)	
305A	793376	SCREW		(Blower Housing) (Used On Non-Grommet Style Blower Housings)	
305B	795891	SCREW		(Blower Housing) (Blower Housing To Intake Elbow)	
305C	799370	SCREW		(Blower Housing) (Used On Grommet Style Blower Housings)	
344	693675	SCREW		(Cable Clamp)	
431	697122	ELBOW, Intake			
431B	797901	ELBOW, Intake			
445	794422	FILTER-A/C CARTRIDGE		(Flat Panel Air Cleaner)	
445B	594201	FILTER, A/C Cartridge		(Canister)	

Ref #	Part #	Description	Qty	Context Note	Foot Note
527	698467	CLAMP, Hose			
601	691038	CLAMP, Hose		(Black)	
601	791850	CLAMP, Hose		(Green)	
633C	594866	SEAL, Choke/ Throttle Shaft		(Ruixing) Used After Code Date 15112900	
633D	594865	SEAL, Choke/ Throttle Shaft		(Ruixing) Used After Code Date 15112900	
633E	797629	SEAL, Choke/ Throttle Shaft		(Ruixing) Used After Code Date 15112900	
643	698401	RETAINER, Air Filter			
773	796448	RETAINER			
947B	846639	SOLENOID, Fuel		(Ruixing) Used After Code Date 15112900	
964	799159	CAP, Connector		(EVAP)	
967	697015	FILTER, Pre Cleaner			
967B	797704	FILTER, Pre Cleaner			
968	698403	COVER, Air Cleaner		(Black-Compatible With Panel Style Filter)	
968B	591647	COVER, Air Cleaner		(Black-Compatible With Canister Style Filter)	
975B	594867	BOWL, Float		(Ruixing) Used After Code Date 15112900	
1040	698368	PLATE, Trim			
1139	796449	WASHER		(Fuel Pump Bracket)	
1266	691917	SEAL, O-Ring		(Intake Elbow)	
1266A	697123	SEAL, O-Ring		(Intake Elbow)	
1267	697419	LATCH, Blower Housing		(Black)	