

1319 WARNING LABEL

**REQUIRED** when replacing parts with warning labels affixed.

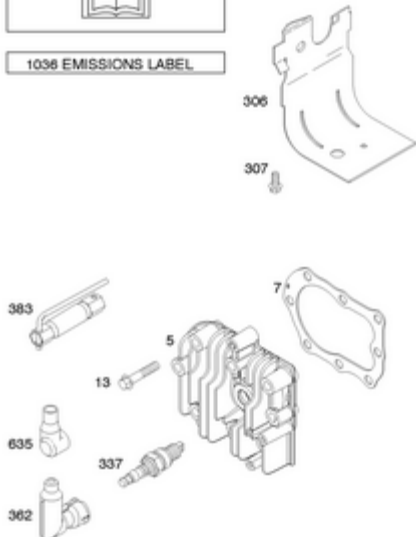
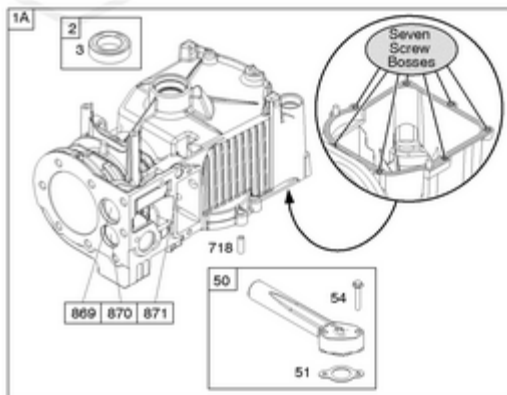
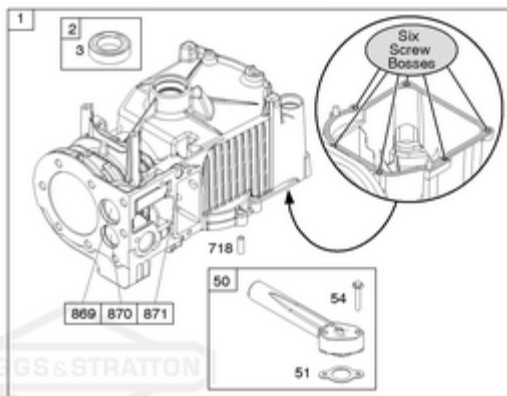
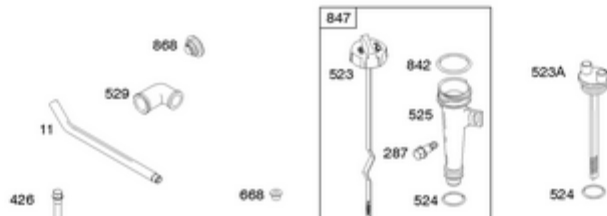
1319A WARNING LABEL

**REQUIRED** when replacing parts with warning labels affixed.

1058 OPERATOR'S MANUAL

1330 REPAIR MANUAL

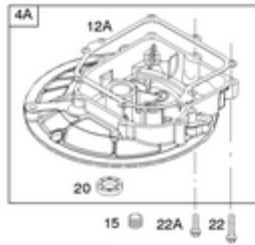
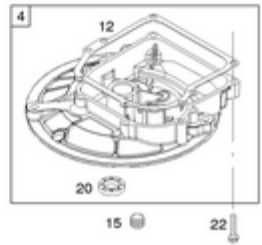
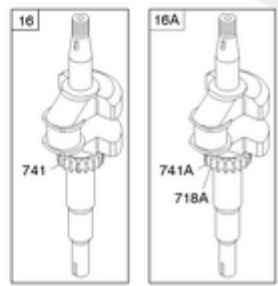
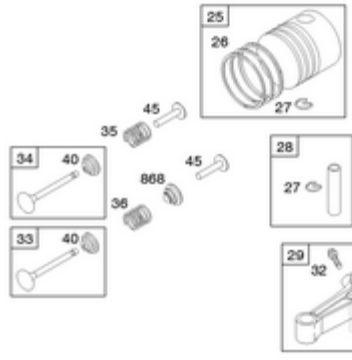
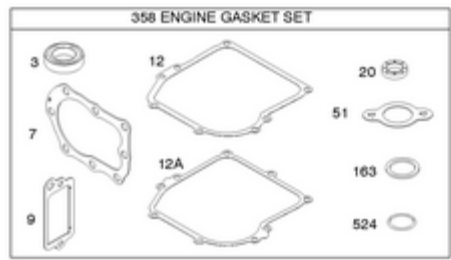
1036 EMISSIONS LABEL



Copyright © Briggs & Stratton, LLC. All rights reserved.

Ref #	Part #	Description	Qty	Context Note	Foot Note
1	699653	CYLINDER ASSEMBLY		(Engines with 6 Sump Screws)	
1A	590772	CYLINDER ASSEMBLY		(Engines with 7 Sump Screws)	
2	796961	KIT, Bushing/Seal		(Magneto Side)	
3	299819S	SEAL, Oil		(Magneto Side)	
5	790169	HEAD, Cylinder			
7	698717	GASKET-CYL HD			
8	791781	BREATHER ASSEMBLY			
9	695890	GASKET- BREATHER			
10	691666	SCREW		(Breather Assembly)	
11	691245	TUBE, Breather			
13	691640	SCREW		(Cylinder Head)	
50	699644	MANIFOLD, Intake			
51	699649	GASKET, Intake			
54	691111	SCREW		(Intake Manifold)	
200	691912	BLADE, Governor			
287	691002	SCREW		(Dipstick Tube)	
306	690400	SHIELD, Cylinder			
307	690345	SCREW		(Cylinder Shield)	
337	796112S	PLUG, Spark			
362	793351	SHIELD-SPARK PLUG			
383	89838S	WRENCH, Spark Plug			
426	691107	SCREW		(Governor Blade)	
523	692040	DIPSTICK			
523A	691913	DIPSTICK			
524	691876	SEAL, O-Ring			
525	691320	TUBE, Dipstick			
529	692189	GROMMET			
635	66538S	BOOT, Spark PLug		(Slip On Style)	
668	692889	SPACER		(Cylinder)	
718	690959	PIN, Locating		(Cylinder)	
842	691870	SEAL, O-Ring		(Dipstick Tube)	
847	691440	DIPSTICK/TUBE ASSY			
868	697338	SEAL, Valve			
869	699641	SEAT, Valve		(Intake)	
870	699642	SEAT, Valve		(Exhaust)	

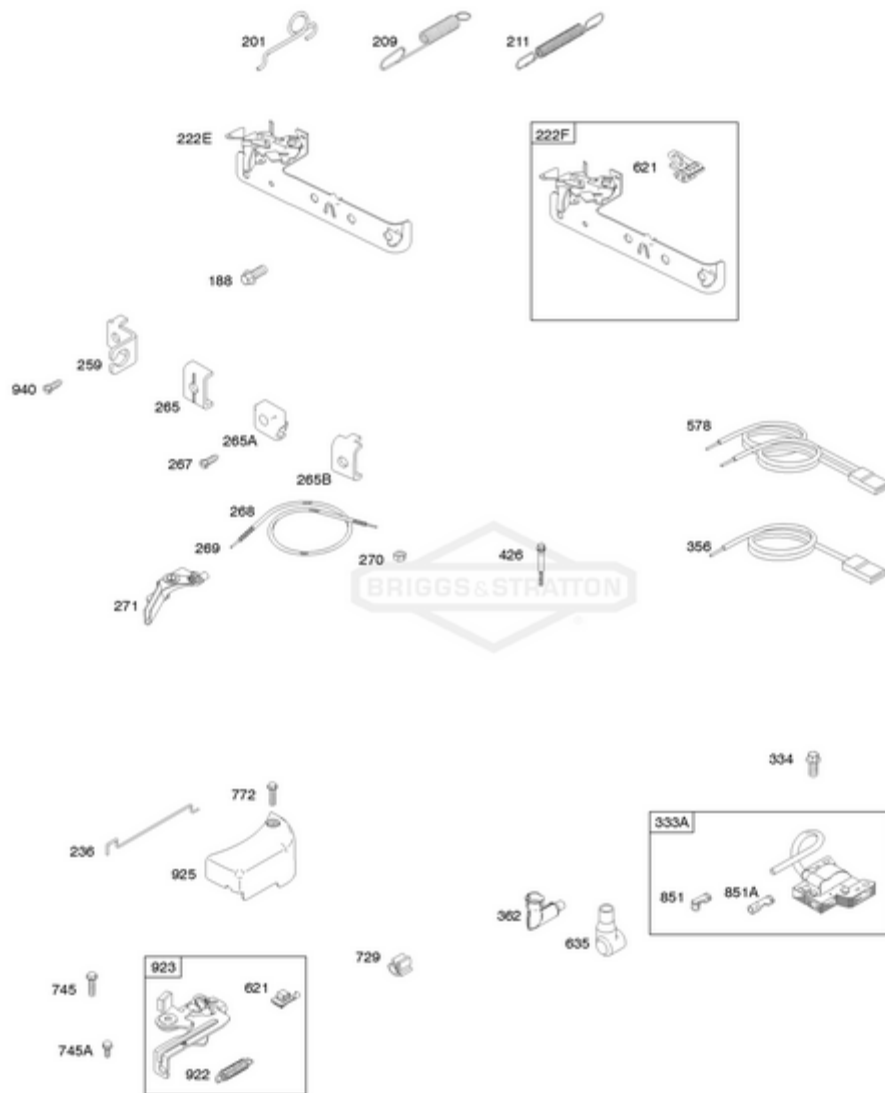
<b>Ref #</b>	<b>Part #</b>	<b>Description</b>	<b>Qty</b>	<b>Context Note</b>	<b>Foot Note</b>
871	699643	BUSHING, Valve Guide		(Exhaust)	
871	63709	BUSHING, Valve Guide		(Intake)	
1036		Label-Emissions		(Available From A Briggs & Stratton Authorized Dealer)	
1058	277038	MANUAL, Operator's			
1319	794467	LABEL, Warning			
1319A	797669	LABEL, Warning			
1330	270962	REP MAN-1 CYL L- HD			



Copyright © Briggs & Stratton, LLC. All rights reserved.

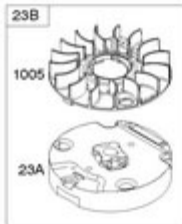
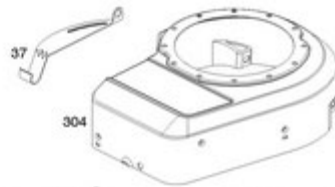
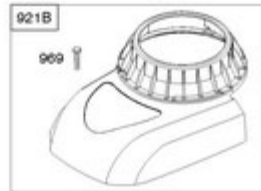
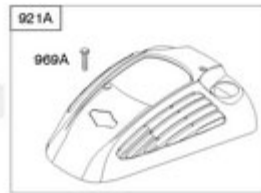
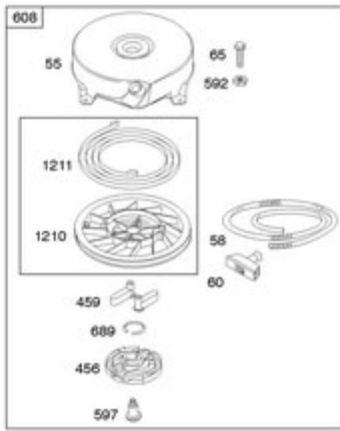
Ref #	Part #	Description	Qty	Context Note	Foot Note
3	299819S	SEAL, Oil		(Magneto Side)	
4	798264	SUMP, Engine		(Engines with 6 Sump Screws)	
4A	590569	SUMP, Engine		(Engines with 7 Sump Screws)	
7	698717	GASKET-CYL HD			
9	695890	GASKET-BREATHER			
12	692218	GASKET, Crankcase		(.015)(Engines with 6 Sump Screws)	
12	270895	GASKET, Crankcase		(.005)(Engines with 6 Sump Screws)	
12	270896	GASKET, Crankcase		(.009)(Engines with 6 Sump Screws)	
12A	799587	GASKET, Crankcase		(Engines with 7 Sump Screws)	
15	691680	PLUG, Oil Drain			
16	796211	CRANKSHAFT			
20	391483S	SEAL, Oil		(PTO Side)	
22	692551	SCREW		(Crankcase Cover/Sump)	
22A	590763	SCREW		(Crankcase Cover/Sump)	
24	222698S	KEY, Flywheel			
25	795689	PISTON ASSEMBLY		(.020 Oversize)	
25	795691	PISTON ASSEMBLY		(Standard)	
26	795688	SET, Ring		(.020 Oversize)	
26	795690	SET, Ring		(Standard)	
27	691588	LOCK, Piston Pin			
28	699659	PIN, Piston		(Standard)	
29	699655	ROD, Connecting		(Standard)	
32	691664	SCREW		(Connecting Rod)	
33	296676	VALVE, Exhaust		(Grooved Stem-Includes Retainer)	
34	296677	VALVE, Intake		(Grooved stem-includes Retainer)	
35	690520	SPRING-VALVE		(Intake)	
36	690520	SPRING-VALVE		(Exhaust)	
40	692194	RETAINER, Valve			
43	698690	SLINGER-GOVERNOR/ OIL			
45	691762	TAPPET, Valve			
46	691998	CAMSHAFT			
51	699649	GASKET, Intake			
163	271139S	GASKET, Air Cleaner		(Air Cleaner)	
358	590777	GASKET SET, Engine			
524	691876	SEAL, O-Ring			
718A	499047	PIN, Locating		(Crankshaft) Used Before Code Date 08071400	
741	796210	GEAR, Timing		(Plastic)	
741A	691805	GEAR, Timing		(Metal)	
868	697338	SEAL, Valve			

<b>Ref #</b>	<b>Part #</b>	<b>Description</b>	<b>Qty</b>	<b>Context Note</b>	<b>Foot Note</b>
1095	498526	GASKET SET, Valve			



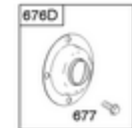
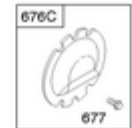
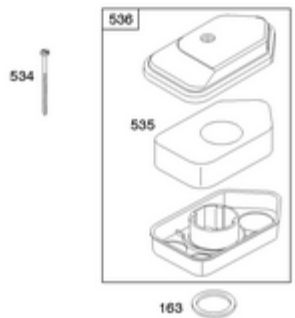
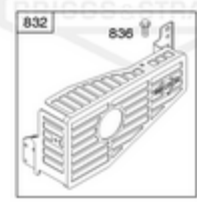
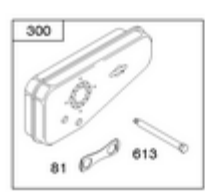
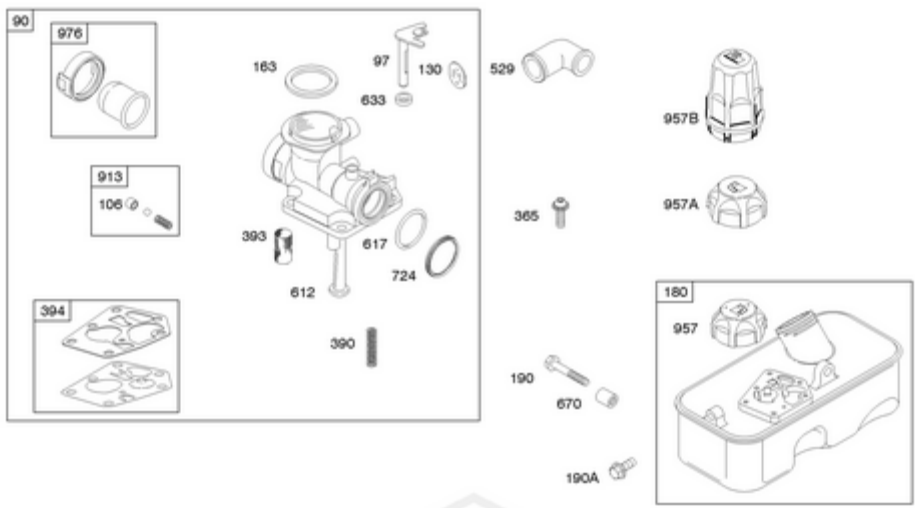
Copyright © Briggs & Stratton, LLC. All rights reserved.

Ref #	Part #	Description	Qty	Context Note	Foot Note
188	692198	SCREW		(Control Bracket)	
201	690347	LINK, Air Vane			
209	690251	SPRING-GOVERNOR			
211	691859	SPRING, Governed Idle			
222E	691446	BRACKET-CONTROL			
236	591292	LINK, Lockout			
259	797041	BRACKET, Casing Clamp			
265B	691024	CLAMP, Casing			
267	691044	SCREW		(Casing Clamp)	
268	691025	CASING, Control Wire		(Cut To Required Length)	
269	691026	WIRE, Control		(Cut To Required Length)	
270	691027	NUT		(Control Wire Casing)	
271	691028	LEVER, Control			
333A	591420	ARMATURE, Magneto			
334	691061	SCREW		(Magneto Armature)	
356	692390	WIRE, Stop			
362	793351	SHIELD-SPARK PLUG			
426	691107	SCREW		(Governor Blade)	
578	398153	WIRE ASSEMBLY			
621	692310	SWITCH, Stop			
635	66538S	BOOT, Spark PLug		(Slip On Style)	
729	690586	CLIP, Wire			
745	691146	SCREW		(Brake) (7/8 )	
745A	690859	SCREW		(Brake) (1/2 )	
772	691111	SCREW		(Linkage Cover)	
851	493880S	TERMINAL, Spark Plug			
851A	692424	TERMINAL, Spark Plug			
922	692135	SPRING, Brake			
923	691487	BRAKE			
925	691349	COVER, Linkage			
940	691044	SCREW		(Casing Clamp Bracket)	



Copyright © Briggs & Stratton, LLC. All rights reserved.

Ref #	Part #	Description	Qty	Context Note	Foot Note
23	799682	FLYWHEEL			
23A	592003	FLYWHEEL			
23B	592370	FLYWHEEL			
37	690482	GUARD, Flywheel		(Carburetor Side)	
37A	691209	GUARD-FLYWHEEL		(Muffler Side)	
55	692144	HOUSING, Rewind Starter			
58	697316	ROPE, Starter		(88 5/8 )	
60	691915	GRIP, Starter Rope			
65	690837	SCREW		(Rewind Starter)	
73	699850	SCREEN, Rotating			
78	692198	SCREW		(Flywheel Guard)	
304	694236	HOUSING-BLOWER		(Compliance Engines)	
305	692198	SCREW		(Blower Housing)	
332	690662	NUT		(Flywheel)	
363	19069	PULLER, Flywheel			
455	691236	CUP, Flywheel			
456	692299	PLATE-PAWL FRICTION			
459	281505S	PAWL-RATCHET			
592	690800	NUT		(Rewind Starter)	
597	691696	SCREW		(Pawl Friction Plate)	
608	499706	STARTER, Rewind		(88 5/8 Rope)	
689	691855	SPRING-FRICTION			
921A	793973	HOUSING, Blower			
921B	699796	HOUSING, Blower			
930	691348	GUARD, Rewind			
969	799013	SCREW		(Blower Housing)	
969A	799014	SCREW		(Blower Housing)	
1005	592366	FAN, Flywheel			
1210	499901	PULLEY/SPRING ASSY		(Pulley)	
1211	499901	PULLEY/SPRING ASSY		(Spring)	



Copyright © Briggs & Stratton, LLC. All rights reserved.

Ref #	Part #	Description	Qty	Context Note	Foot Note
81	691179	LOCK, Muffler Screw			
90	795477	CARBURETOR			
97	691931	SHAFT, Throttle			
106	691901	SEAT, Inlet			
130	691190	VALVE, Throttle			
163	271139S	GASKET, Air Cleaner		(Air Cleaner)	
180	494406	TANK, Fuel		(Metal)	
190	691640	SCREW		(Fuel Tank) (1 3/4 )	
190A	691108	SCREW		(Fuel Tank) (9/16" Long)	
300	692307	MUFFLER			
300A	394569S	MUFFLER		(Round Lo Tone)	
365	790029	SCREW		(Carburetor)	
390	691839	SPRING-CHOKE DIAPH			
393	691837	SCREEN, Carburetor			
394	795083	DIAPHRAGM, Carburetor			
529	692189	GROMMET			
534	691417	SCREW		(Air Cleaner)	
535	698369	FILTER, Air Cleaner Foam			
536	698472	CLEANER, Air			
612	496046S	TUBE-PICK UP			
613	691413	SCREW		(Muffler)	
617	270344S	SEAL, O-Ring		(Intake Manifold)	
633	691321	SEAL, Choke/Throttle Shaft		(Throttle)	
670	691633	SPACER, Fuel Tank			
676B	393760	DEFLECTOR, Muffler			
676C	393756	DEFLECTOR, Muffler		(Side Outlet)	
676D	397931	DEFLECTOR, Muffler			
677	690661	SCREW		(Muffler Deflector)	
724	697478	RETAINER, Seal			
832	699299	GUARD, Muffler			
832C	790743	GUARD, Muffler			
832D	790744	GUARD, Muffler			
836	690664	SCREW		(Muffler Guard) (13/32 )	
836A	790745	SCREW		(Muffler Guard)	
836B	691125	SCREW		(Muffler Guard) (5/8 )	
913	494409	SEAT, Valve			
957	497929S	CAP, Fuel Tank		(Plastic)	
957B	792878	CAP, Fuel Tank		(Plastic)	
976	694394	PRIMER-CARBURETOR			