

T26 CS, 967207701, 2014-02

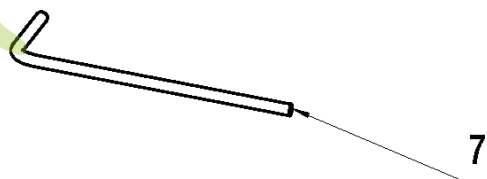
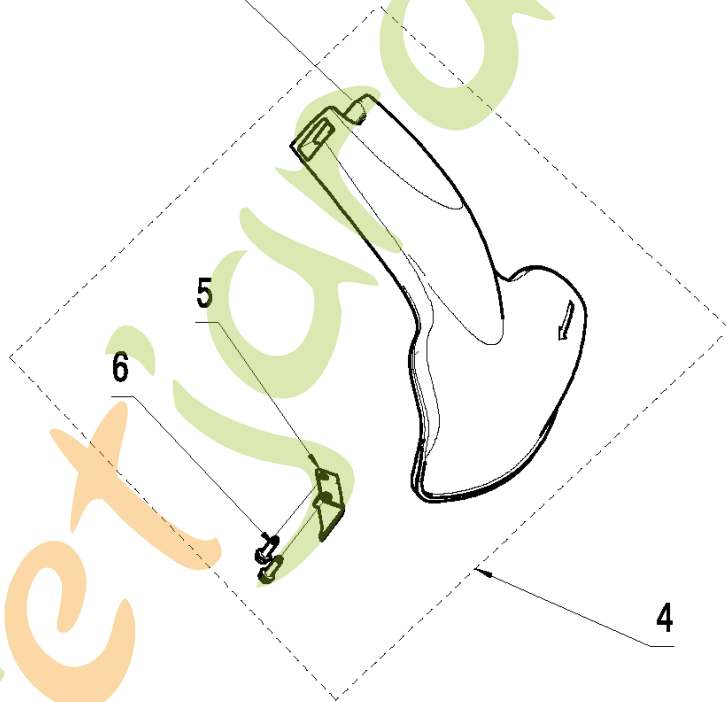
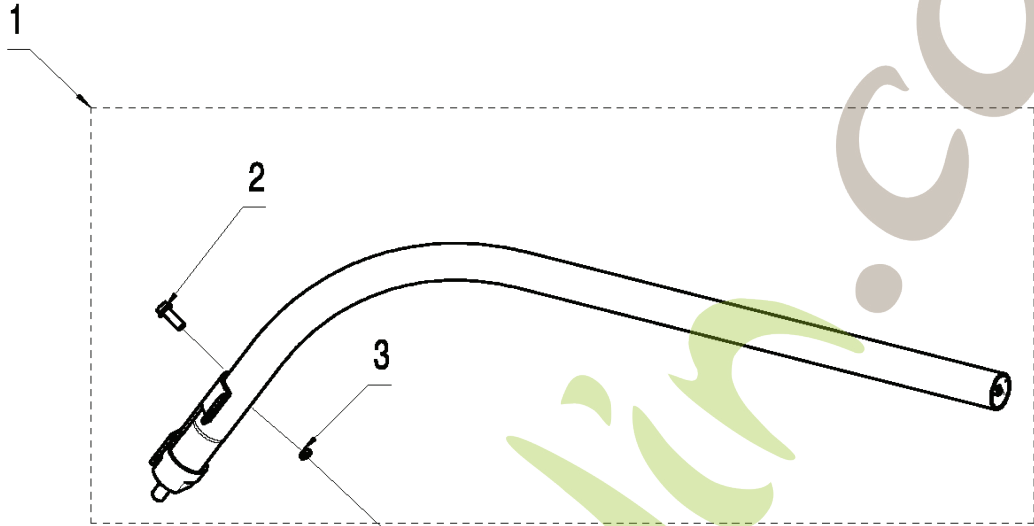
Forêtjardin.com

---

# SPARE PARTS LIST

ForEstjardin.com

**A** T26CS  
BEVEL GEAR & LOWER SHAFT

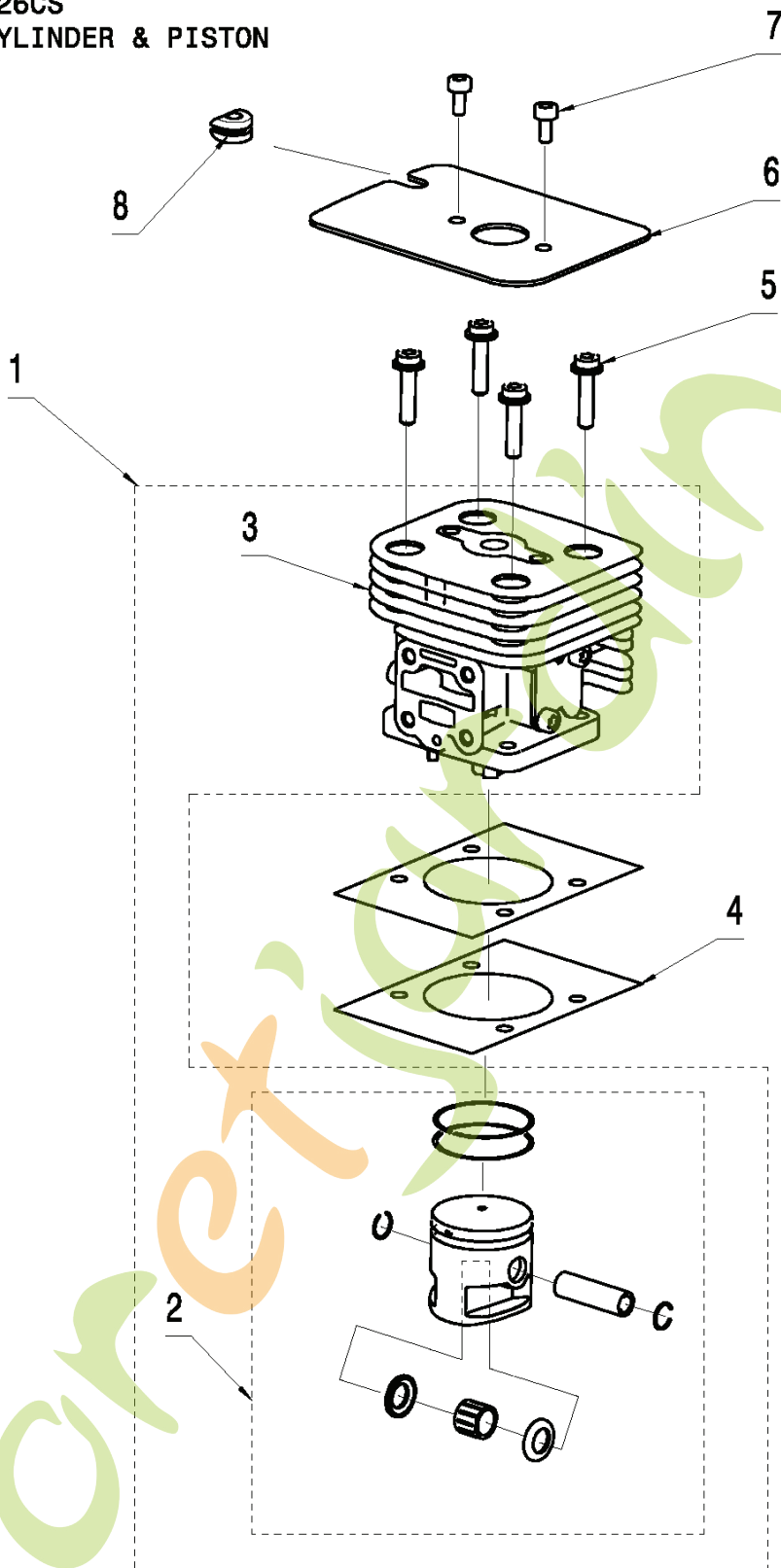


---

| REF. | PART NO.  | DESCRIPTION        | REMARK | QTY. | KIT |
|------|-----------|--------------------|--------|------|-----|
| 1    | 578910401 | TUBE               |        |      |     |
| 2    | 522751901 | SCREW ITXSCFM      |        |      | 1   |
| 3    | 574404401 | LOCK NUT           |        |      | 1   |
| 4    | 574613101 | TRIMMER GUARD ASSY |        |      |     |
| 5    | 574523401 | KNIFE              |        |      | 4   |
| 6    | 573925801 | SCREW ITXSCFT      |        |      | 4   |
| 7    | 586221601 | WRENCH             |        |      |     |

ForêtJardin.com

**J** T26CS  
CYLINDER & PISTON

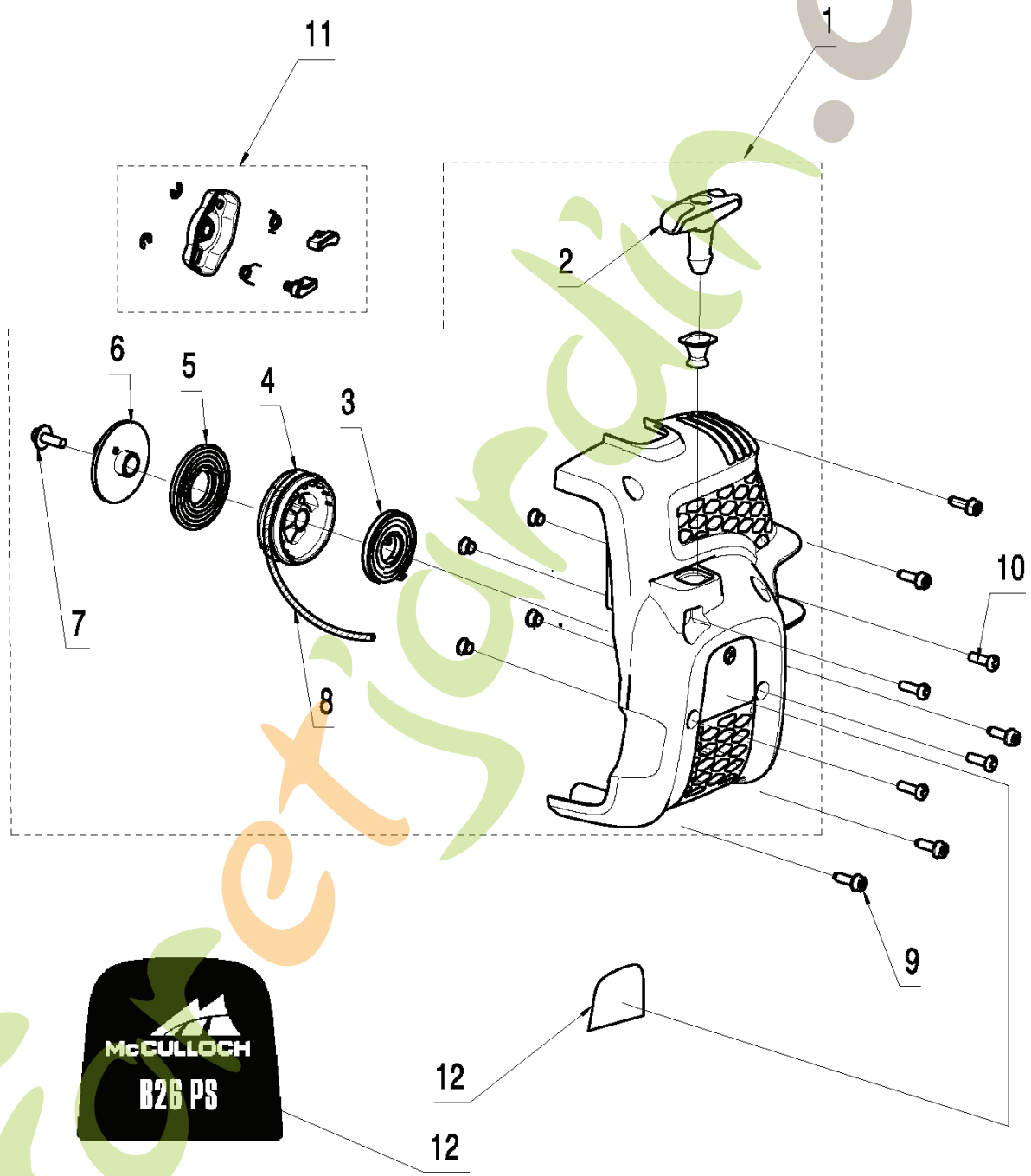


---

| REF. | PART NO.  | DESCRIPTION   | REMARK | QTY. | KIT |
|------|-----------|---------------|--------|------|-----|
| 1    | 586491401 | TOOL KIT      |        |      |     |
| 2    | 586491501 | TOOL KIT      |        |      |     |
| 3    | 578411901 | CYLINDER ASSY |        |      |     |
| 4    | 575307801 | GASKET        |        |      |     |
| 5    | 584956001 | SCREW         |        |      |     |
| 6    | 575306701 | PLATE         |        |      |     |
| 7    | 575306601 | SCREW         |        |      |     |
| 8    | 585597201 | GROMMET       |        |      |     |

For etjardin.com

**H** T26CS  
STARTER



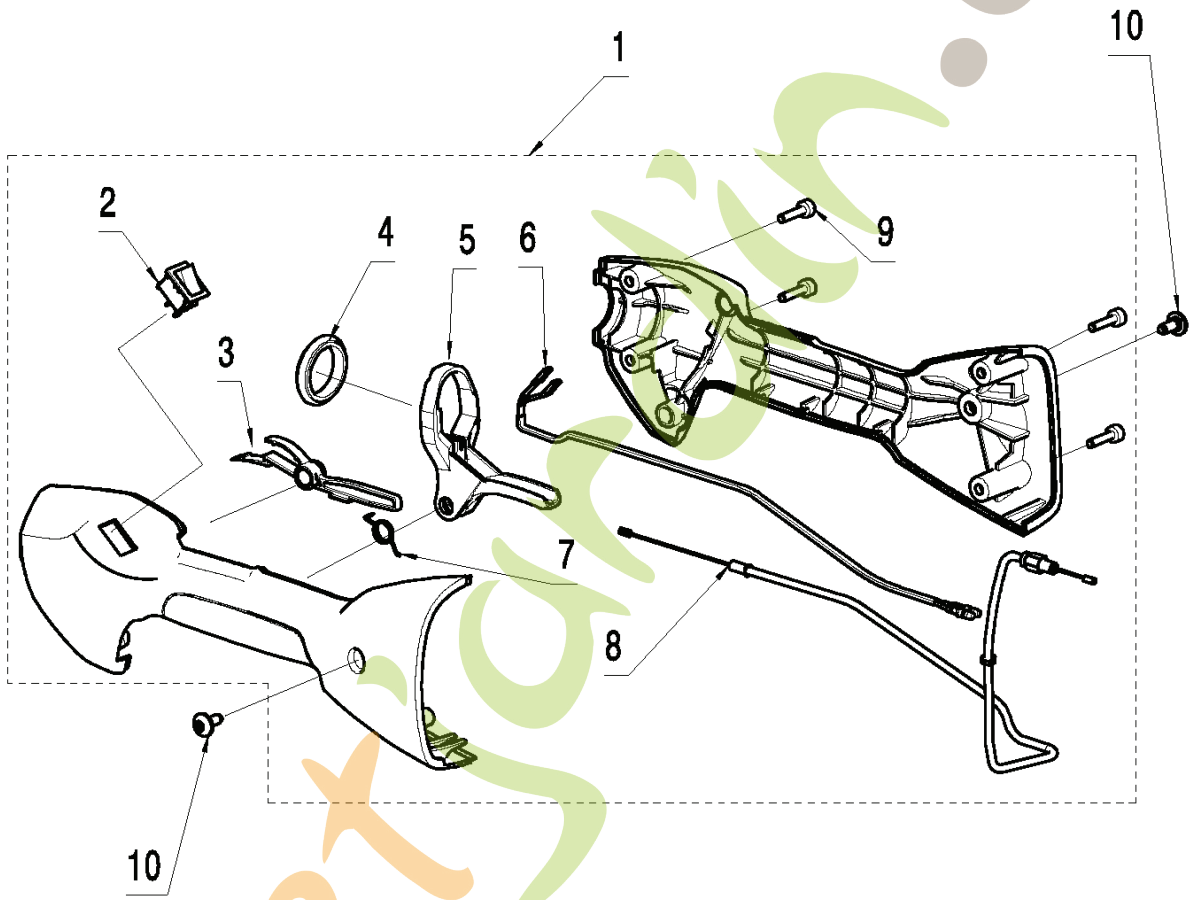
12

12

| REF. | PART NO.  | DESCRIPTION    | REMARK | QTY. | KIT |
|------|-----------|----------------|--------|------|-----|
| 1    | 584917501 | STARTER ASSY   |        |      |     |
| 2    | 577271601 | STARTER HANDLE |        |      | 1   |
| 3    | 503859001 | RECOIL SPRING  |        |      | 1   |
| 4    | 579366301 | PULLEY         |        |      | 1   |
| 5    | 578465101 | SPRING         |        |      | 1   |
| 6    | 585301401 | DRIVER         |        |      | 1   |
| 7    | 530016468 | SCREW          |        |      | 1   |
| 8    | 578091102 | STARTER ROPE   |        |      | 1   |
| 9    | 573925801 | SCREW ITXSCFT  |        |      |     |
| 10   | 525755101 | SCREW ITXSCFM  |        |      |     |
| 11   | 585296501 | BRIDGE         |        |      |     |
| 12   | 585693601 | DECAL          |        |      |     |

For et Jardin.com

**C** T26CS  
THROTTLE CONTROL

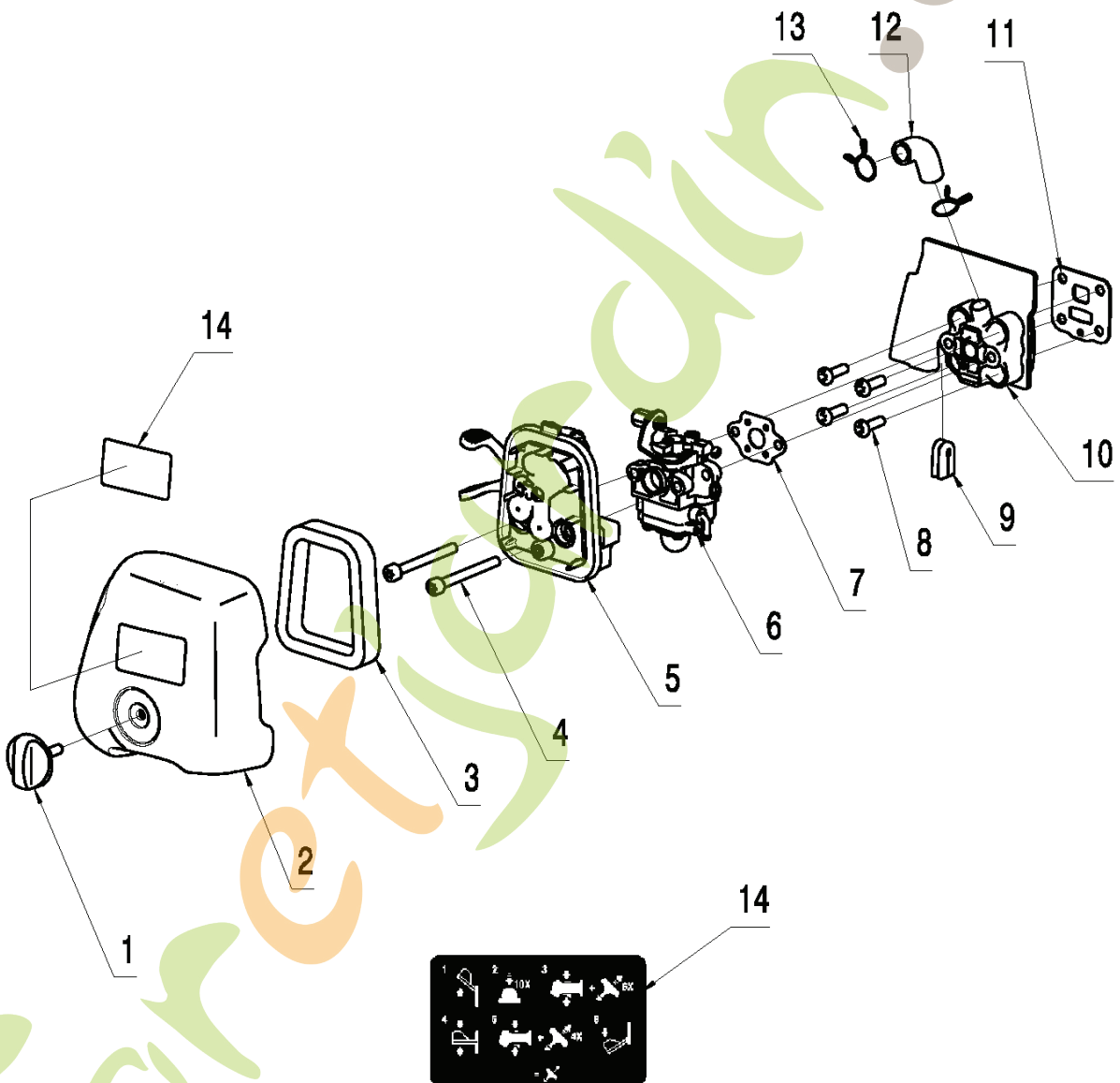


---

| REF. | PART NO.  | DESCRIPTION           | REMARK | QTY. | KIT |
|------|-----------|-----------------------|--------|------|-----|
| 1    | 574193102 | HANDLE ASSY           |        |      |     |
| 2    | 575315801 | STOP SWITCH           |        |      | 1   |
| 3    | 574192801 | THROTTLE LOCKOUT      |        |      | 1   |
| 4    | 574824401 | ANTIVIBRATION ELEMENT |        |      | 1   |
| 5    | 585966901 | TRIGGER               |        |      | 1   |
| 6    | 574488801 | SHORT CIRCUIT CABLE   |        |      | 1   |
| 7    | 576851701 | SPRING                |        |      | 1   |
| 8    | 585094401 | THROTTLE ASSY         |        |      | 1   |
| 9    | 574444001 | SCREW ITXSCT          |        |      | 1   |
| 10   | 574273201 | SCREW ITXPANT         |        |      |     |

For et Jardin.com

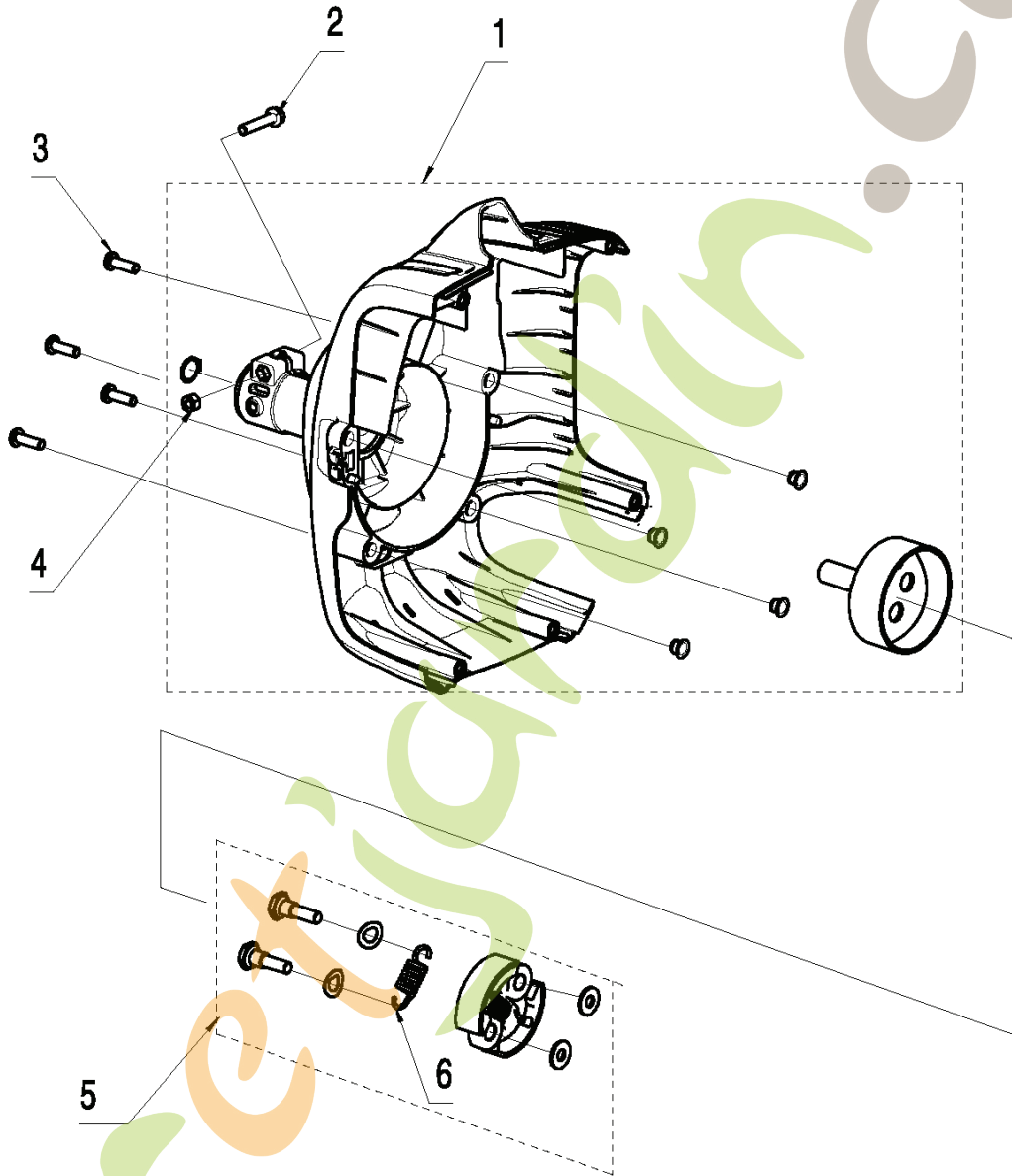
**G** B26PS  
CARBURATER & AIR FILTER



| REF. | PART NO.  | DESCRIPTION        | REMARK |
|------|-----------|--------------------|--------|
| 1    | 537213201 | KNOB               |        |
| 2    | 584917601 | FILTER COVER       |        |
| 3    | 575309501 | AIR FILTER         |        |
| 4    | 578303901 | SCREW              |        |
| 5    | 575309701 | FILTER HOLDER ASSY |        |
| 6    | 584274101 | CARBURETTOR        |        |
| 7    | 575310901 | GASKET             |        |
| 8    | 584956201 | SCREW              |        |
| 9    | 575311301 | GROMMET            |        |
| 10   | 575311401 | INSULATOR          |        |
| 11   | 575311501 | GASKET             |        |
| 12   | 575311101 | INLET PIPE         |        |
| 13   | 575311201 | HOSE CLAMP         |        |
| 14   | 585693801 | DECAL              |        |

For etjardin.com

**D** T26CS  
CLUTCH

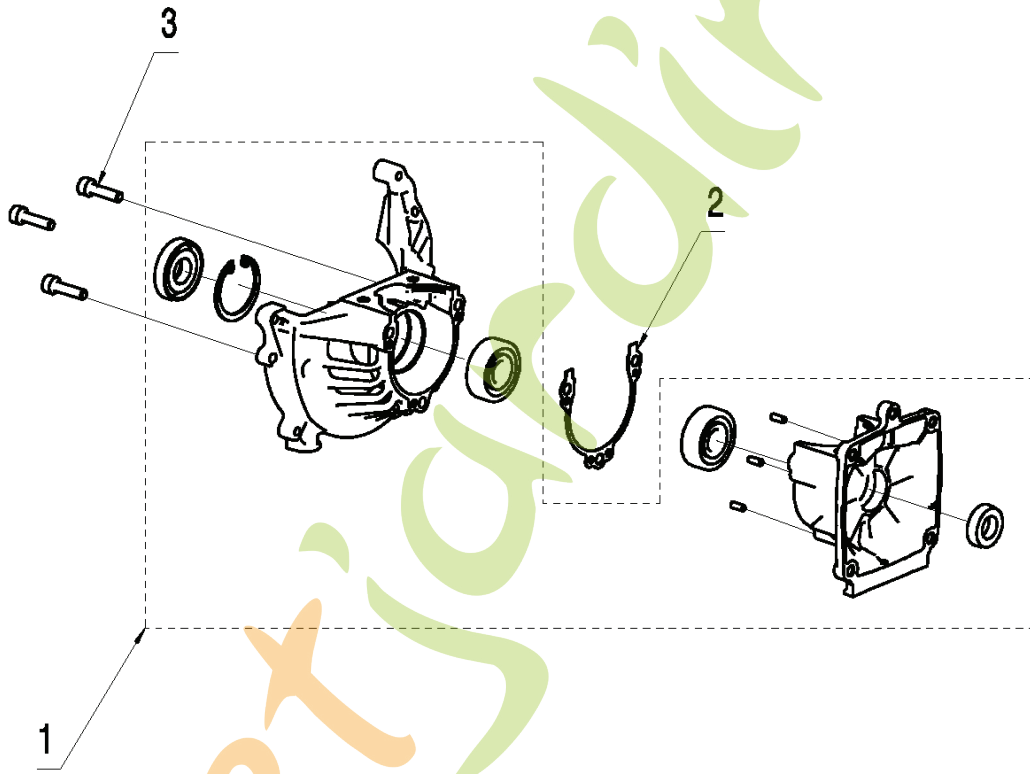


---

| REF. | PART NO.  | DESCRIPTION       | REMARK | QTY. | KIT |
|------|-----------|-------------------|--------|------|-----|
| 1    | 584917301 | CLUTCH COVER ASSY |        |      |     |
| 2    | 525755104 | SCREW ITXSCFM     |        |      |     |
| 3    | 525755101 | SCREW ITXSCFM     |        |      |     |
| 4    | 731231401 | HEXAGON NUT       |        |      | 1   |
| 5    | 586557001 | TOOL KIT          |        |      |     |
| 6    | 586556901 | CLUTCH SPRING     |        |      | 5   |

Forretjardin.com

**L** T26CS  
CRANKCASE

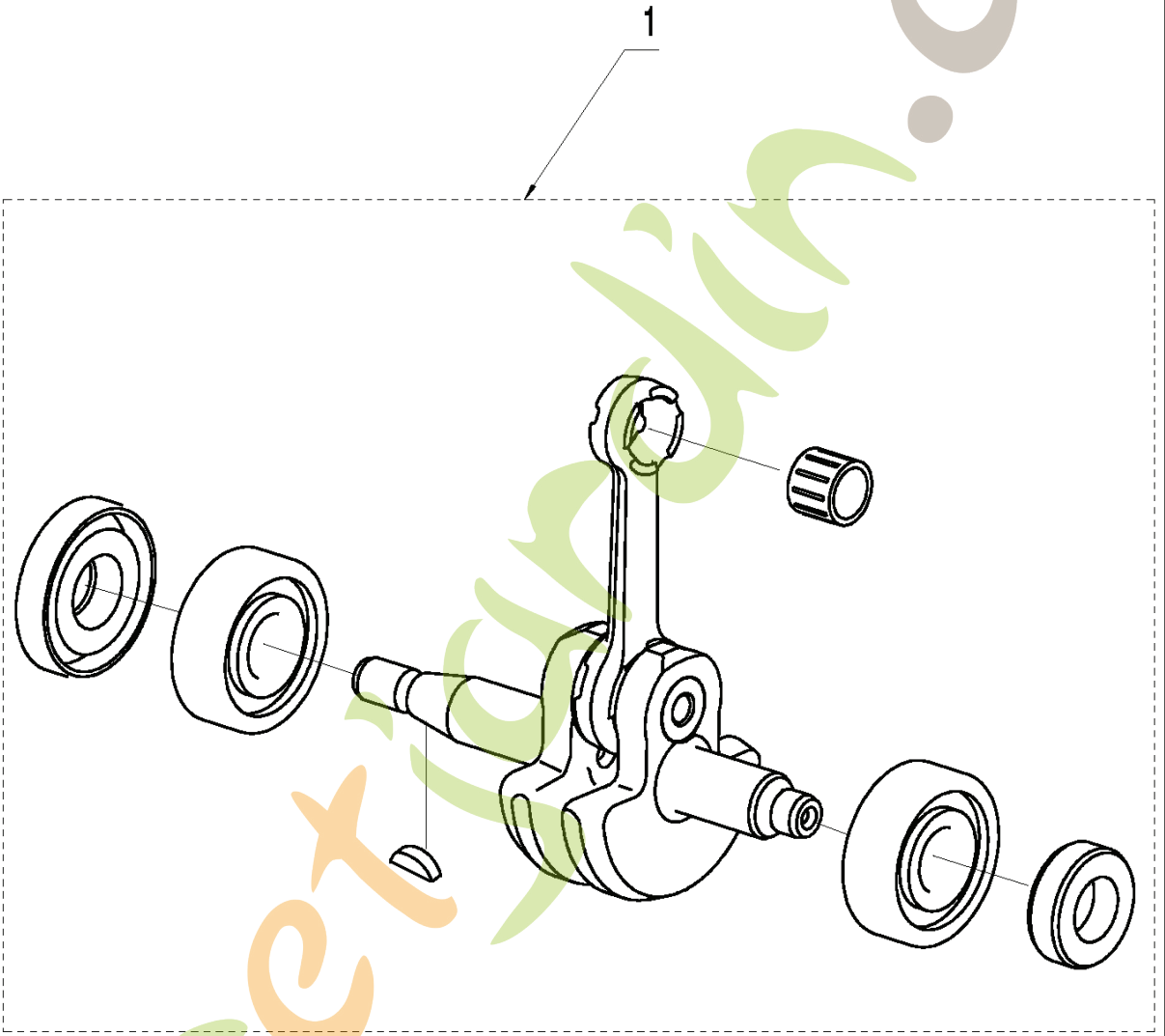


---

| REF. | PART NO.  | DESCRIPTION | REMARK |
|------|-----------|-------------|--------|
| 1    | 586594901 | TOOL KIT    |        |
| 2    | 575311901 | GASKET      |        |
| 3    | 584955901 | SCREW       |        |

Forretjardin.com

**K** T26CS  
Crankshaft

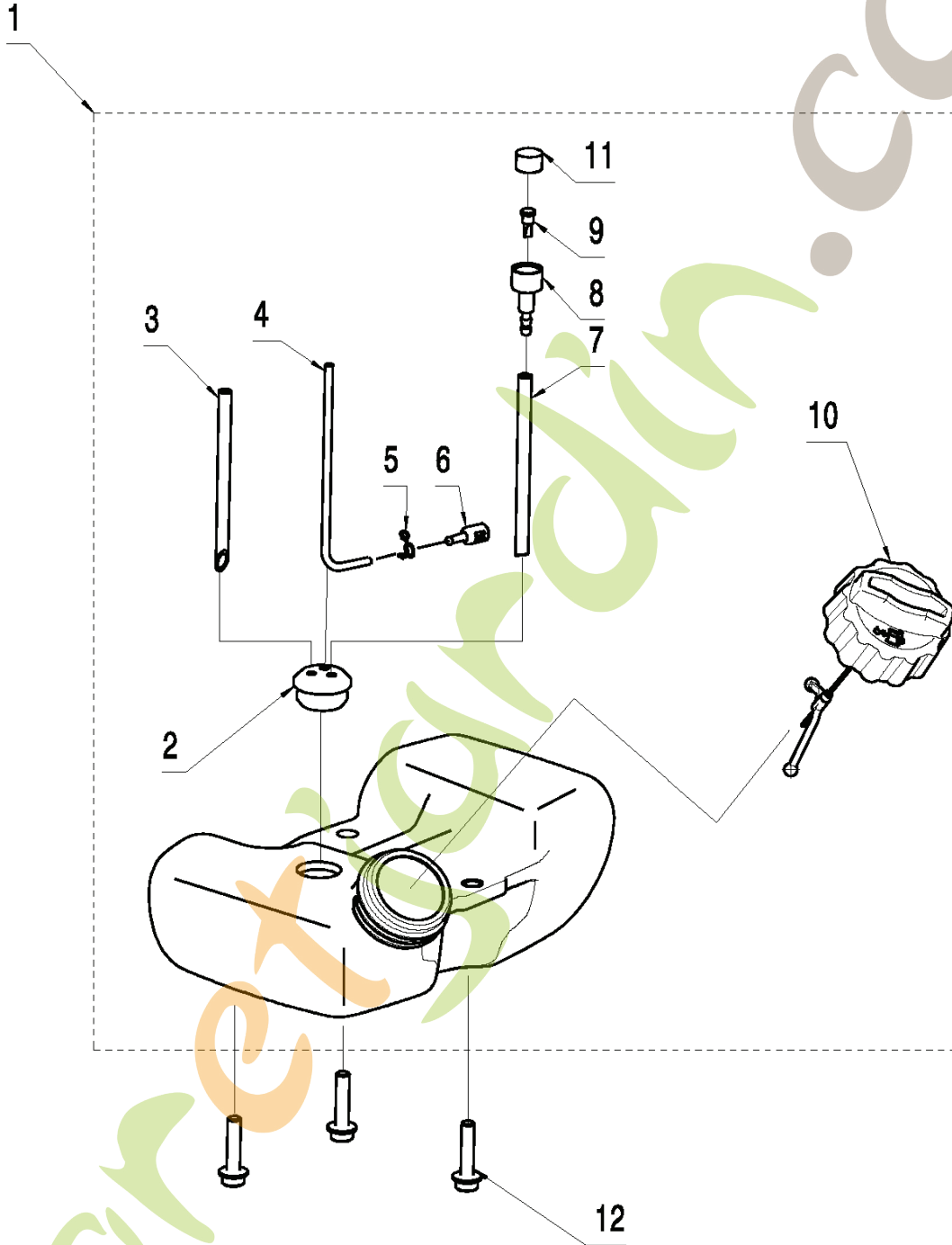


---

| REF. | PART NO.  | DESCRIPTION | REMARK | QTY. | KIT |
|------|-----------|-------------|--------|------|-----|
| 1    | 586491601 | TOOL KIT    |        |      |     |

ForêtJardin.com

**E** T26CS  
FUEL TANK

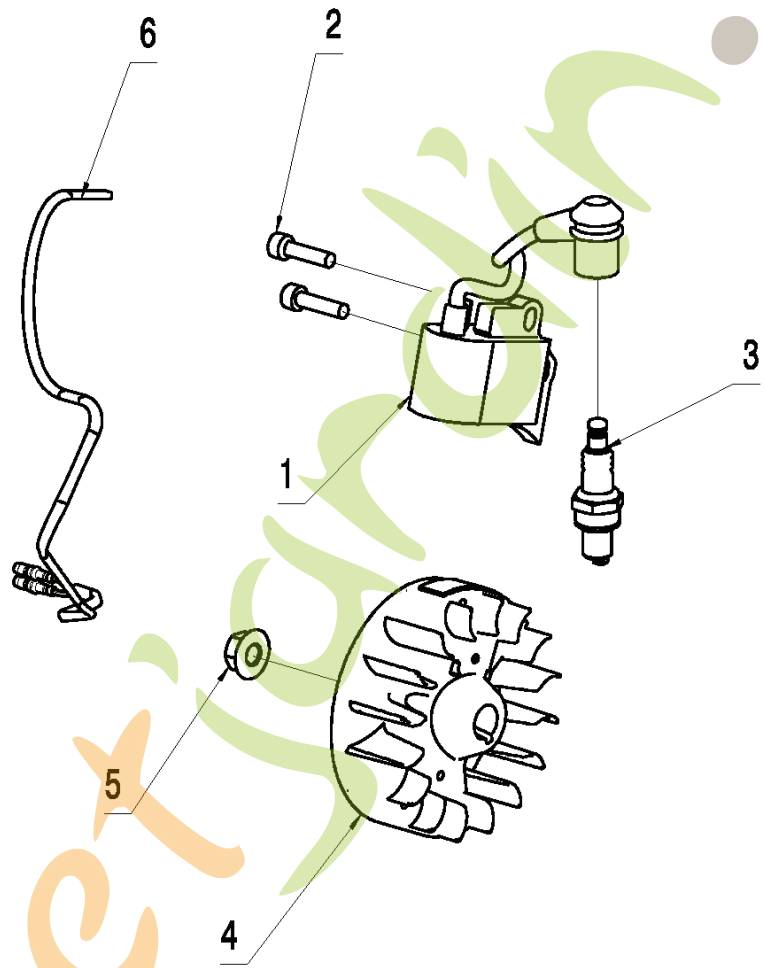


---

| REF. | PART NO.  | DESCRIPTION      | REMARK | QTY. | KIT |
|------|-----------|------------------|--------|------|-----|
| 1    | 585301101 | FUEL TANK ASSY   |        |      |     |
| 2    | 575312801 | GROMMET          |        |      | 1   |
| 3    | 575313001 | FUEL HOSE        |        |      | 1   |
| 4    | 575313101 | FUEL HOSE        |        |      | 1   |
| 5    | 586095401 | CLAMP            |        |      | 1   |
| 6    | 574227001 | FUEL FILTER      |        |      | 1   |
| 7    | 575312901 | VENTILATING HOSE |        |      | 1   |
| 8    | 575484401 | VALVE HOUSING    |        |      | 1   |
| 9    | 575484501 | VALVE NIPPLE     |        |      | 1   |
| 10   | 580926801 | TANK CAP ASSY    |        |      | 1   |
| 11   | 575484601 | FILTER           |        |      | 1   |
| 12   | 575313301 | SCREW            |        |      |     |

For etjardin.com

**I** T26CS  
IGNITION

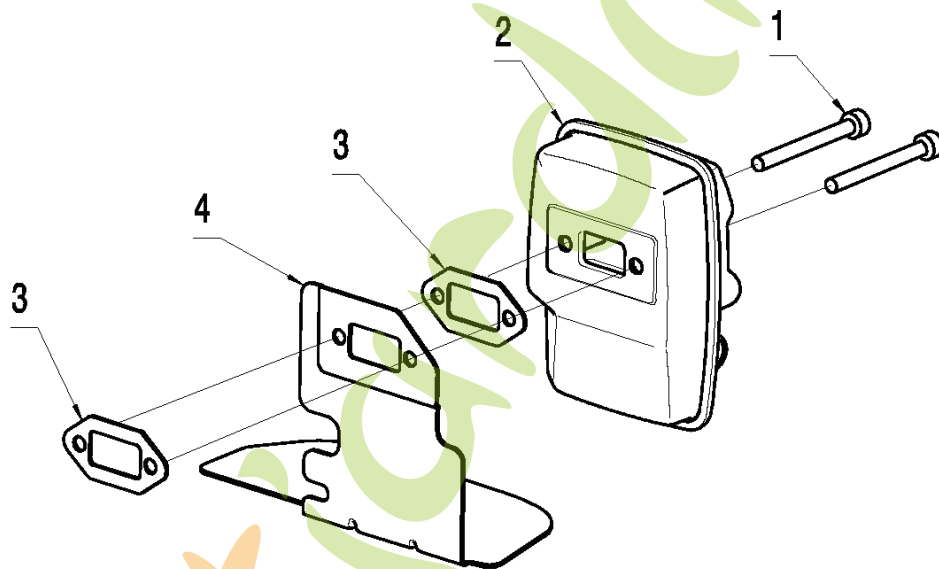


---

| REF. | PART NO.  | DESCRIPTION         | REMARK | QTY. | KIT |
|------|-----------|---------------------|--------|------|-----|
| 1    | 585565501 | IGNITION MODULE     |        |      |     |
| 2    | 584955901 | SCREW               |        |      |     |
| 3    | 578410201 | SPARK PLUG          |        |      |     |
| 4    | 585565701 | FLYWHEEL            |        |      |     |
| 5    | 574223401 | NUT                 |        |      |     |
| 6    | 574488903 | SHORT CIRCUIT CABLE |        |      |     |

For et Jardin.com

**F** T26CS  
MUFFLER



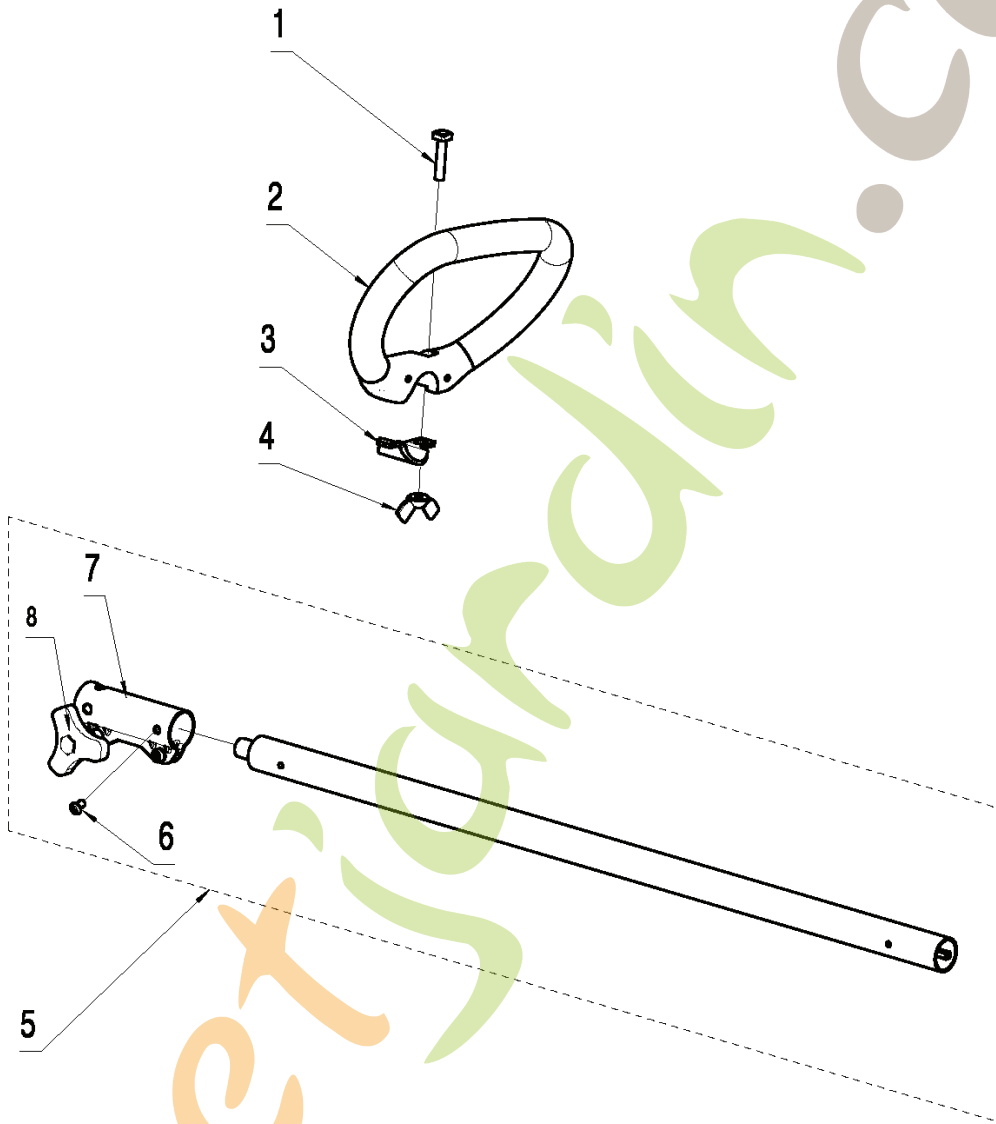
---

| REF. | PART NO.  | DESCRIPTION | REMARK | QTY. | KIT |
|------|-----------|-------------|--------|------|-----|
| 1    | 584956301 | SCREW       |        |      |     |
| 2    | 585565401 | MUFFLER     |        |      |     |
| 3    | 585613001 | GASKET      |        |      |     |
| 4    | 585094501 | GASKET      |        |      |     |

Forretjardin.com

J

**B** T26CS  
UPPER SHAFT



---

| REF. | PART NO.  | DESCRIPTION      | REMARK | QTY. | KIT |
|------|-----------|------------------|--------|------|-----|
| 1    | 530015820 | SCREW            |        |      |     |
| 2    | 545074201 | HANDLE LOOP      |        |      |     |
| 3    | 530059185 | CLAMP            |        |      |     |
| 4    | 530016152 | WING NUT         |        |      |     |
| 5    | 585470501 | DRIVE SHAFT ASSY |        |      |     |
| 6    | 574182101 | SCREW            |        |      | 5   |
| 7    | 585685201 | CLAMP            |        |      | 5   |
| 8    | 574322202 | KNOB             |        |      | 5   |

Forretjardin.com