

CT151, 96061006401, 960610064, 2006-06

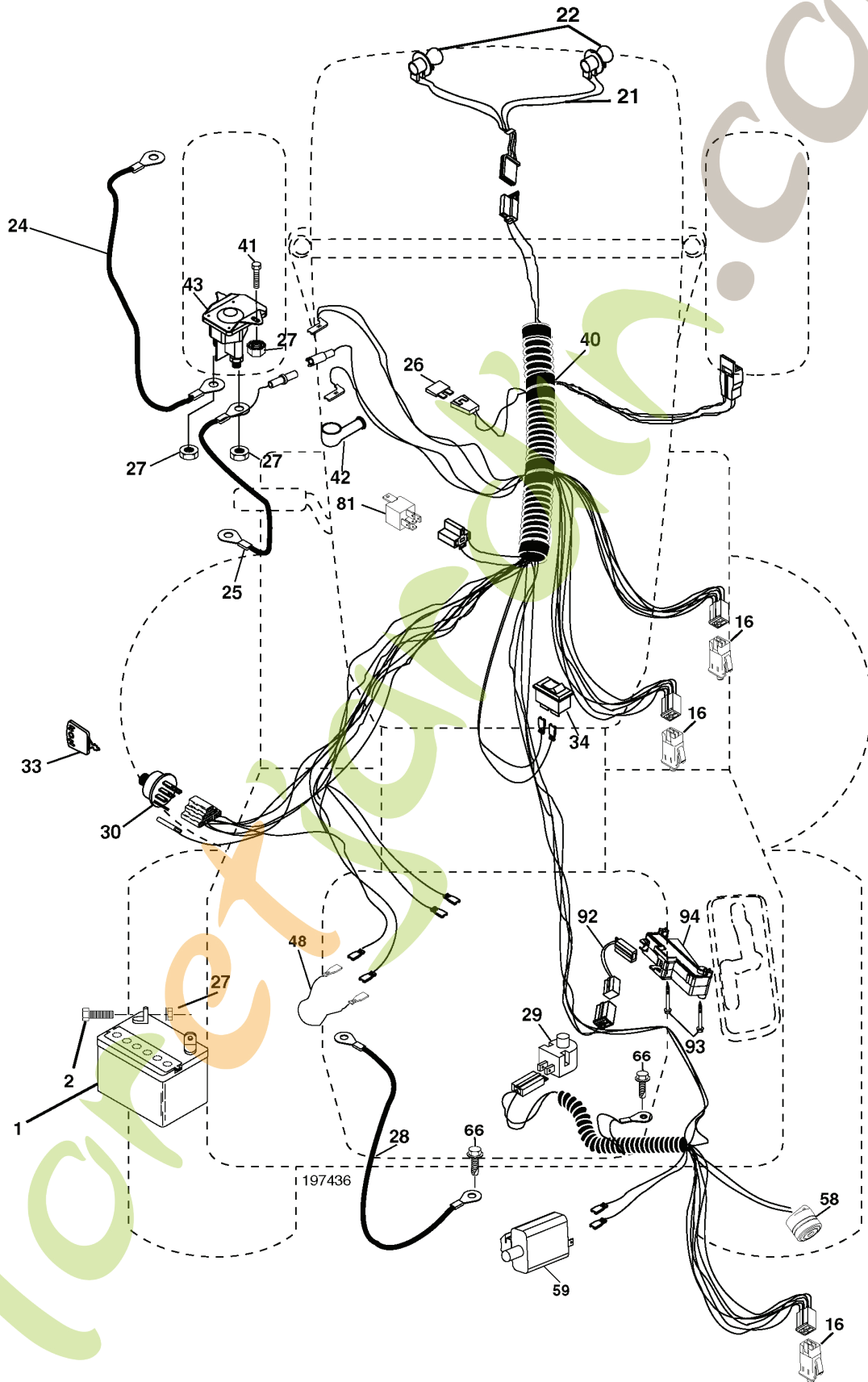
ForêtJardin.com

SPARE PARTS LIST

ForEstjardin.com

REPAIR PARTS

TRACTOR- -MODEL NO. CT151 (96061006401) PRODUCT NO. 960 61 00-64
ELECTRICAL



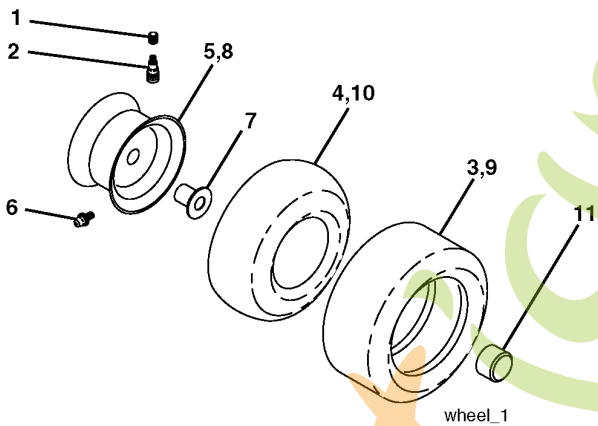
REF.	PART NO.	DESCRIPTION	REMARK
1	532144927	BATTERY	
2	874760412	BOLT	
16	532176138	MICRO SWITCH	
21	532175688	HARNES	
22	532004152	BULB	
24	532124780	CABLE	
25	532165987	CABLE	
26	532175158	FUSE	
27	873510400	NUT	
28	532127725	CABLE	
29	532192749	SWITCH.SEAT.DP W/RAMPS	
30	532193350	IGNITION MODULE	
33	532140401	KEY	
34	532110712	SWITCH	
40	532197436	CABLE ASSY	
41	871110408	BOLT	
42	532131563	COVER	
43	532192507	SOLENOID	
48	532140844	ADAPTER	
58	532169419	BUZZER	
59	532180379	SWITCH FBI	
66	817490608	SCREW	
81	532109748	RELAY	
92	532196615	CABLE ASSY	
93	532192540	SCREW	
94	532191834	MODULE.REVERSE.ROS	

forretjardin.com

REPAIR PARTS

TRACTOR- -MODEL NO. CT151 (96061006401) PRODUCT NO. 960 61 00-64

WHEELS & TIRES

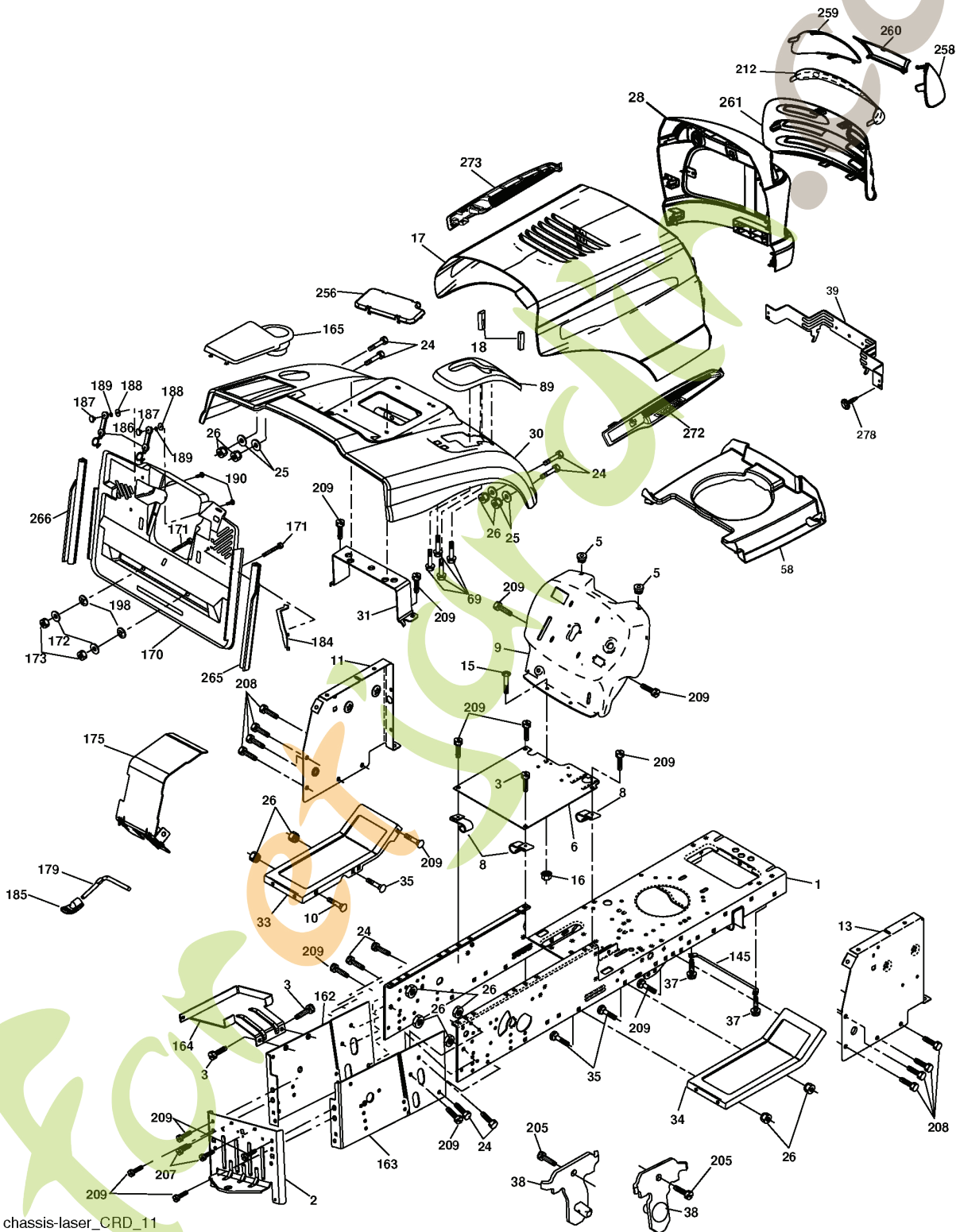


REF.	PART NO.	DESCRIPTION	REMARK
1	532059192	CAP VALVE	
2	532065139	NIPPLE	
3	532106222	TIRE	
4	532059904	HOSE	
5	532138336	RIM	
6	532124957	FITTING	
7	532124959	BEARING	
8	532138337	RIM SPROCKET	
9	532106268	TIRE	
10	532124926	HOSE	
11	532175039	HUB CAP	
--	532144334	SEALING FOAM	

ForEstjardin.com

REPAIR PARTS

TRACTOR- -MODEL NO. CT151 (96061006401) PRODUCT NO. 960 61 00-64
CHASSIS AND ENCLOSURES



REF.	PART NO.	DESCRIPTION	REMARK
1	532174620	CHASSIS	
2	532180384	DRAWBAR	
3	817060612	SCREW	
5	532155272	DAMPER	
6	532184419	PLATE	
8	532126471	CLIP	
9	532194289	TABLEAU*RPL.PAR 532193518014	
10	872140608	BOLT	
11	532174996	DASHBOARD	
13	532172106	DASH	
15	874180512	SCREW	
16	873510500	NUT	
17	532188893	HOOD	
18	532184921	BUMPER	
24	874780616	BOLT	
25	819131312	WASHER	
26	873800600	NUT	
28	532183538	GRILL	
30	532197376	GUARD	
31	532165156	BRACKET	
33	532181057	FOOTREST	
34	532181058	FOOTREST	
35	872110606	BOLT	
37	817490508	SCREW	
38	532181748	BRACKET	
39	532174714	BRACKET PIVOT LASER LT	
58	532187154	DUCT	
69	532142432	SCREW	
89	532197407	CONSOLE	
145	532156524	SHAFT	
162	532180382	BRACKET	
163	532180383	BRACKET	
164	532165605	SUPPORT	
165	532181100	COVER	
170	532199488	COVER	
171	872140620	BOLT	
172	819132016	WASHER	
173	873510600	NUT	
175	532188203	DOOR TRAP	
179	532188202	ROD PIVOT FBI	
184	532174662	BRACKET	
185	532181101	KNOB	
186	532160793	LATCH	
187	532125004	NUT	
188	819061216	WASHER	
189	810071000	WASHER	
190	871081010	SCREW	
198	532168937	WASHER	
205	817490608	SCREW	
207	817670508	SCREW	
208	817670608	SCREW	
209	817000612	SCREW	
212	532183548	INSERT	
256	532181361	COVER	
258	532185214	LENS	
259	532185213	LENS	
260	532185216	INSERT	
261	532185212	INSERT	
265	532185704	SEALING	
266	532185703	SEALING	
272	532188896	VENT HOOD RH	
273	532188895	VENT HOOD LH	
278	532191611	SCREW	
--	532187801	PLUG	

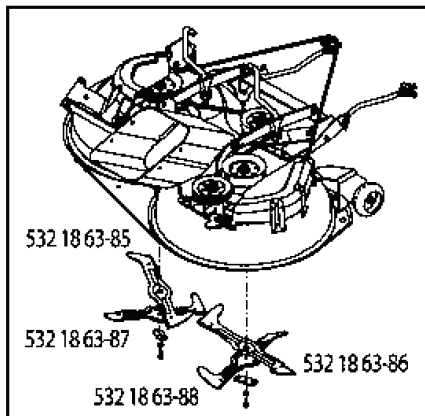
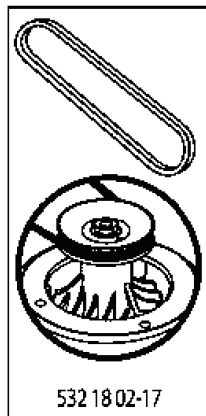
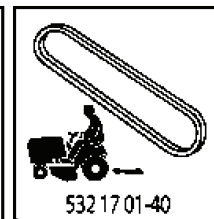
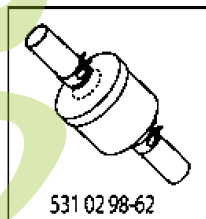
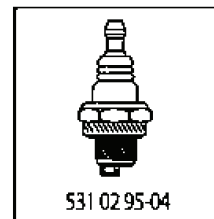
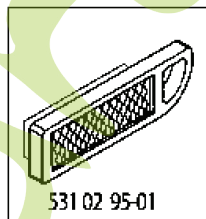
for extended.com

ILLUSTRATED PARTS LIST

MFG. ID NO. 96061006401

CUSTOMER CATALOG NO. CT151

PRODUCT NO. 960 61 00-64



REF.	PART NO.	DESCRIPTION	REMARK
531 02 95-01	531029501	AIR FILTER	
531 02 98-62	531029862	FILTER	
532 18 02-17	532180217	BELT	
532 18 63-88	532186388	BLADE	
532 18 63-87	532186387	BLADE	
532 18 63-85	532186385	BLADE	
531 02 95-03	531029503	FILTER	
531 02 95-04	531029504	SPARK PLUG	
532 17 01-40	532170140	BELT	
532 18 63-86	532186386	BLADE	

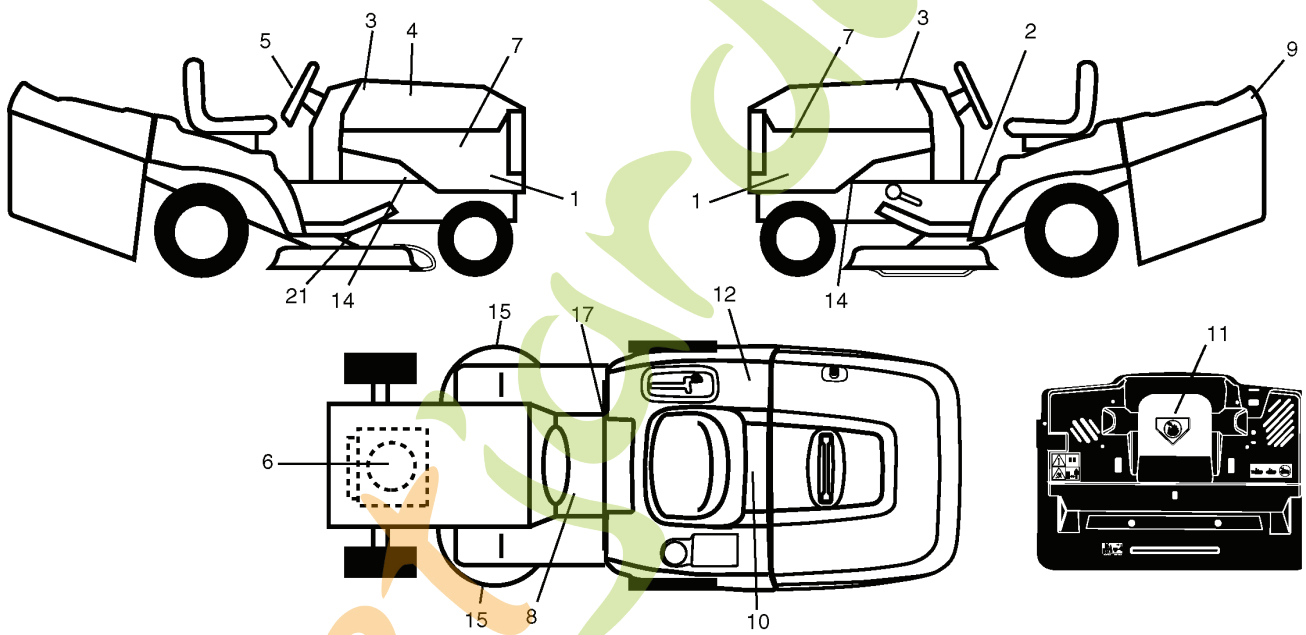
forretjardin.com

REF.	PART NO.	DESCRIPTION	REMARK
1	532400108	HOUSING	
2	872140506	BOLT	
3	532165569	BRACKET	
4	532165558	BRACKET	
5	532124670	RETAINER RING	
6	532165557	ROD	
8	532181712	BOLT	
9	810030600	WASHER	
11	532186385	BLADE	
13	532137645	SHAFT	
14	532128774	BEARING HOUSING	
15	532110485	BEARING	
16	532186386	BLADE	
17	872140610	BOLT	
18	872110606	BOLT	
19	532132827	SPEC. BOLT	
20	532181713	BOLT	
21	873680500	NUT	
22	532199590	BRACKET	
23	532165446	PLATE	
24	532165242	BRACKET	
25	532165244	BRACKET	
26	532400110	SUPPORT	
27	532165568	BRACKET	
28	532165567	BRACKET	
30	532173984	SCREW	
31	532187690	WASHER	
32	532153531	PULLEY	
33	532400234	NUT	
34	532400107	BRACKET	
35	532400106	BRACKET	
36	532146763	PULLEY	
40	873680600	NUT	
41	873900600	NUT	
44	532175538	COVER	
45	532175539	COVER	
46	532137729	SCREW	
55	532199498	ARM	
56	532165723	SPACER	
61	532165945	SPRING	
67	532106932	KNOB	
68	532402008	BELT	
69	532165482	SHAFT	
84	532156085	BELT GUIDE	
116	532184219	BOLT	
117	532174873	WHEEL	
118	873930600	NUT	
119	819121414	WASHER	
124	872110612	BOLT	
130	872110506	BOLT	
131	532165661	PIPE	
152	532176074	WIRE	
158	817720408	SCREW	
161	532186387	BLADE	
162	532180878	ADAPTER	
163	532186388	BLADE	
185	532188234	CABLE	
--	532181857	BEARING HOUSING	
--	532181858	BEARING HOUSING	
--	532402306	MOWER DECK	

for more parts visit www.korexindia.com

REPAIR PARTS

TRACTOR- -MODEL NO. CT151 (96061006401) PRODUCT NO. 960 61 00-64
DECALS

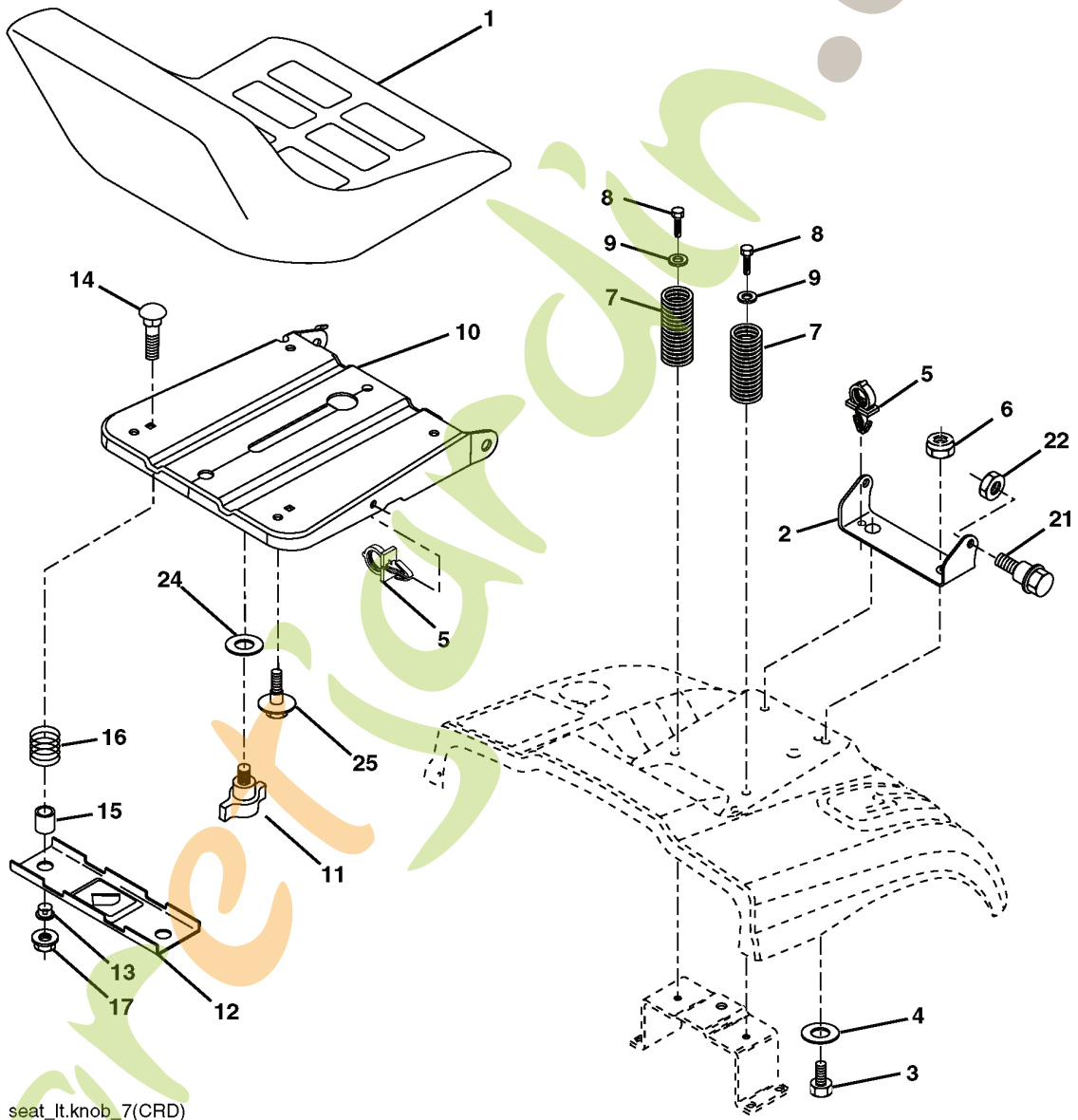


REF.	PART NO.	DESCRIPTION	REMARK
1	532191143	DECAL	
2	532400389	LABEL	
3	532188923	DECAL	
4	532401024	DECAL	
5	532188925	DECAL	
6	532196841	DECAL	
7	532188921	DECAL	
8	532159737	DECAL	
9	532188929	DECAL	
10	532145005	DECAL	
11	532182166	DECAL	
12	532180432	DECAL	
14	532159736	DECAL	
15	532196842	DECAL	
17	532140837	DECAL	
21	532166286	DECAL	
--	532138311	DECAL	
--	532181091	PLATE	
--	532181090	PLATE	
--	532400379	OPERATORS MANUAL	
--	532400381	OPERATORS MANUAL	
--	532401413	OPERATORS MANUAL	
--	532401414	OPERATORS MANUAL	

forretjardin.com

REPAIR PARTS

TRACTOR- -MODEL NO. CT151 (96061006401) PRODUCT NO. 960 61 00-64
SEAT ASSEMBLY



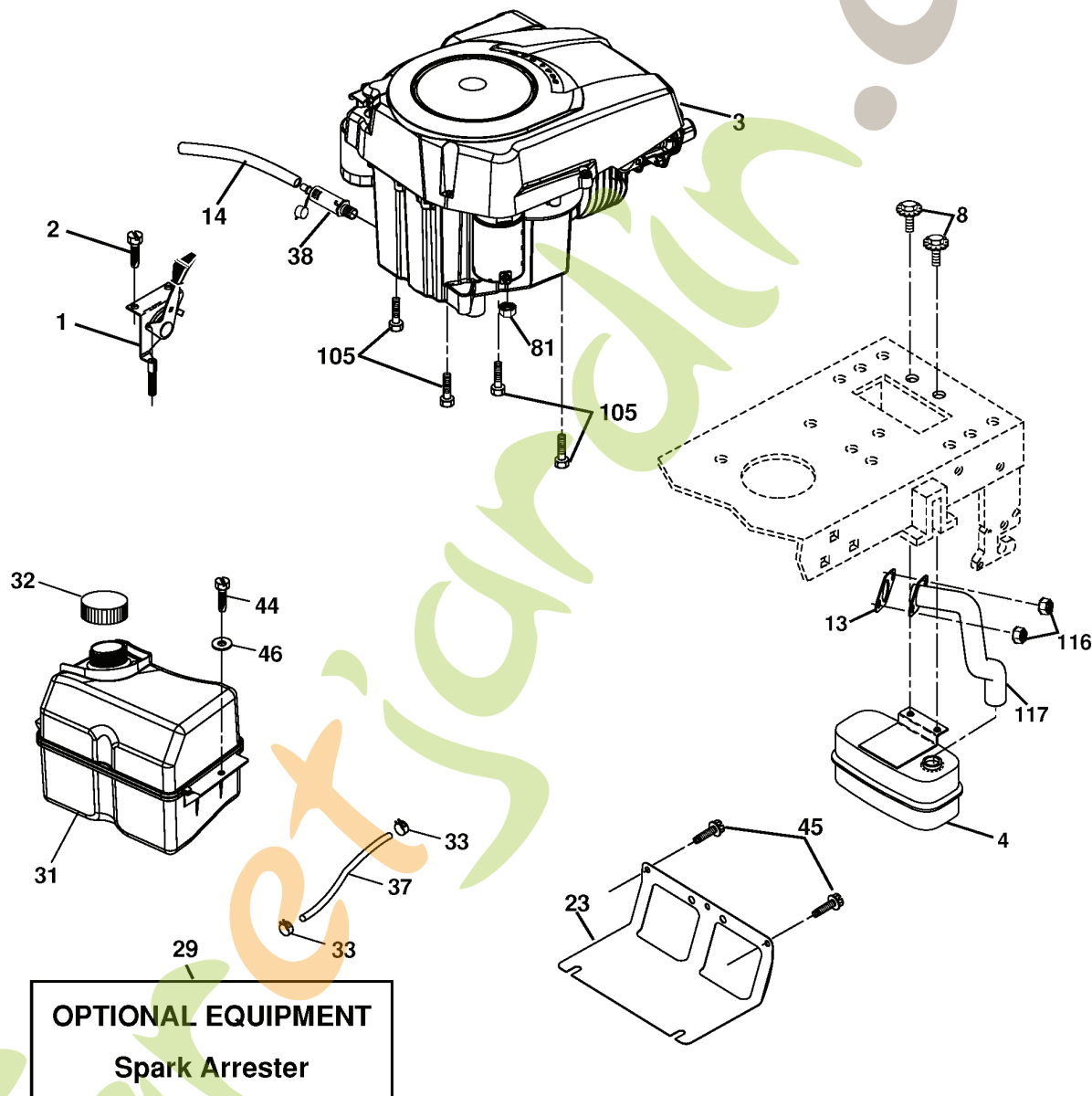
seat_lt.knob_7(CRD)

REF.	PART NO.	DESCRIPTION	REMARK
1	532190120	SIEGE CONDUCTEUR	
2	532140551	BRACKET	
3	871110616	SCREW	
4	819131610	WASHER	
5	532145006	CLIP	
6	873800600	NUT	
7	532124181	SPRING	
8	817000616	SCREW	
9	819131614	WASHER	
10	532195530	BERCEAU DE SIEGE CONDUCTEUR	
11	532166369	WING NUT	
12	532174648	BRACKET	
13	532121248	BUSHING	
14	872050412	BOLT	
15	532134300	SPACER	
16	532121250	SPRING	
17	532123976	LOCKNUT	
21	532171852	BOLT	
22	873800500	LOCK NUT	
24	819171912	WASHER	
25	532127018	BOLT	

ForêtJardin.com

REPAIR PARTS

TRACTOR- -MODEL NO. CT151 (96061006401) PRODUCT NO. 960 61 00-64
ENGINE



REF.	PART NO.	DESCRIPTION	REMARK
1	532170805	CONTROL THROT /CH FLAG	
2	817720408	SCREW	
4	532188655	MUFFLER	
8	532171877	BOLT	
13	532185909	GASKET	
14	532148456	TUBE	
23	532169837	HEAT SHIELD	
29	532137180	SPARK ARRESTER KIT	
31	532185534	TANK UNIT	
32	532197725	PLUG	
33	532123487	HOSE CLAMP	
37	532137040	HOSE	
38	532181654	PLUG	
44	817670412	SCREW	
45	817000612	SCREW	
46	819091416	WASHER	
81	873510400	NUT	
105	817120616	SCREW	
116	532184362	NUT	
117	532188654	TUBE EXHAUST	

Forestjardin.com

REF.	PART NO.	DESCRIPTION	REMARK
2	532146682	SPRING	
3	532165999	PULLEY	
4	812000028	CLIP	
5	532121520	BRACKET	
6	817060512	SCREW	
8	532192706	LEVER	
9	532180354	CLUTCH	
10	876020416	SPLIT PIN	
11	532105701	WASHER	
13	874550412	BOLT	
14	810040400	WASHER	
15	874490544	SCREW	
16	873800500	LOCK NUT	
18	874780616	BOLT	
19	873800600	NUT	
21	532121274	KNOB	
22	532175607	ROD	
24	873350600	NUT	
25	532106888	SPRING	
26	819131316	WASHER	
27	876020412	SPLIT PIN	
28	532175765	SHAFT	
29	532071673	COVER	
30	532174973	BRACKET	
34	532175578	SHAFT	
35	532120183	BEARING	
36	819211616	WASHER	
37	532124963	PIN RETAINING SCREW	
38	532165936	PULLEY	
39	874760644	BOLT	
40	532124965	SPACER	
42	819131312	WASHER	
43	819111012	WASHER	
47	532127783	PULLEY	
48	532154407	GUIDE	
49	532123205	BELT GUIDE	
50	872110612	BOLT	
51	873680600	NUT	
53	532199652	TIGE DE TENSION POULIE	
55	532105709	SPRING	
56	817060620	SCREW	
57	532165631	BELT	
62	532123533	PEDAL RUBBER	
65	810040700	WASHER	
66	532154778	TENSIONER	
74	532137057	SPACER	
75	532121749	WASHER	
76	812000001	RETAINER RING	
77	532123583	KEY	
78	532121748	WASHER	
79	532125096	WOODRUFF KEY	
80	532145090	LEVER	
82	532165711	SPRING	
83	819171216	WASHER	
84	532165621	LINK	
96	532124788	RETAINER RING	
112	819091210	WASHER	
120	873900600	NUT	
150	532165850	BUSHING	
151	819133210	WASHER	
156	532166002	WASHER	
158	532165589	BRACKET	
159	532183900	LEVER	
161	872140406	BOLT	
162	873680400	NUT	
163	874780416	BOLT	
165	532165623	BRACKET	
166	817490510	SCREW	
167	532165588	BRACKET	
168	532165492	BOLT	
171	817490608	SCREW	
172	532165635	SHAFT	
177	532165932	HOLDER	
181	532180211	BRACKET	
182	532182682	BELT GUIDE	
183	532199532	PULLEY	
187	817580520	BOLT	
203	871170780	BOLT	

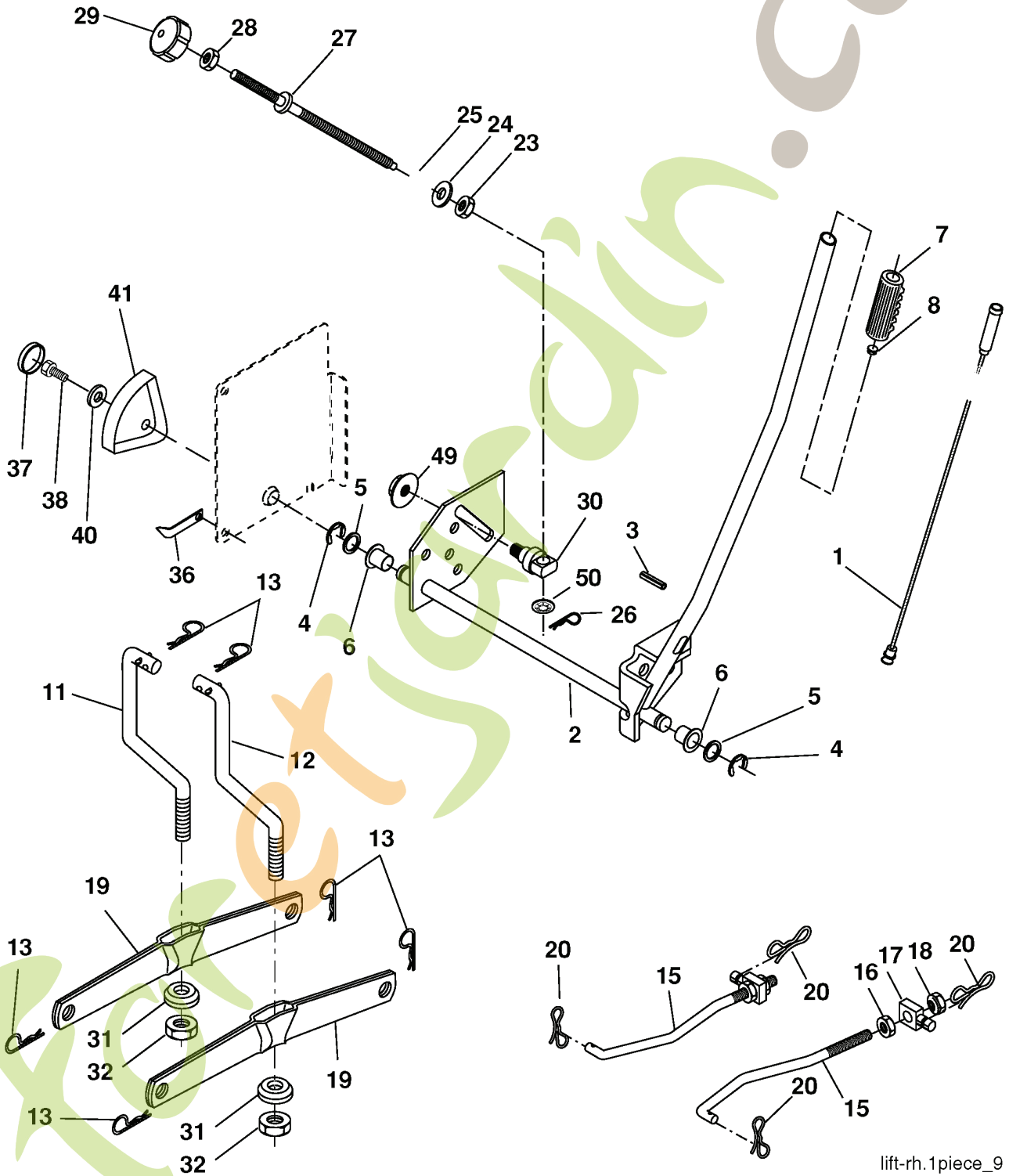
www.extendah.com

REF.	PART NO.	DESCRIPTION	REMARK
207	532169845	WASHER	
214	532175609	LEVER	
215	532199580	ROD	
253	532175028	BRACKET	
254	817000616	SCREW	
255	532175608	SHAFT	
258	532178062	CLIP	
261	532131494	PULLEY	
263	817000612	SCREW	
262	872110622	BOLT	
264	532177608	BRACKET	
265	532182013	SPACER	
266	532182061	PROTECTOR	
268	532182402	PROTECTOR	
275	819131614	WASHER	
292	532400271	SPACER	
293	872140628	BOLT	
294	532197033	NUT	
295	532179114	PULLEY	

For et Jardin.com

REPAIR PARTS

TRACTOR- -MODEL NO. CT151 (96061006401) PRODUCT NO. 960 61 00-64
MOWER LIFT



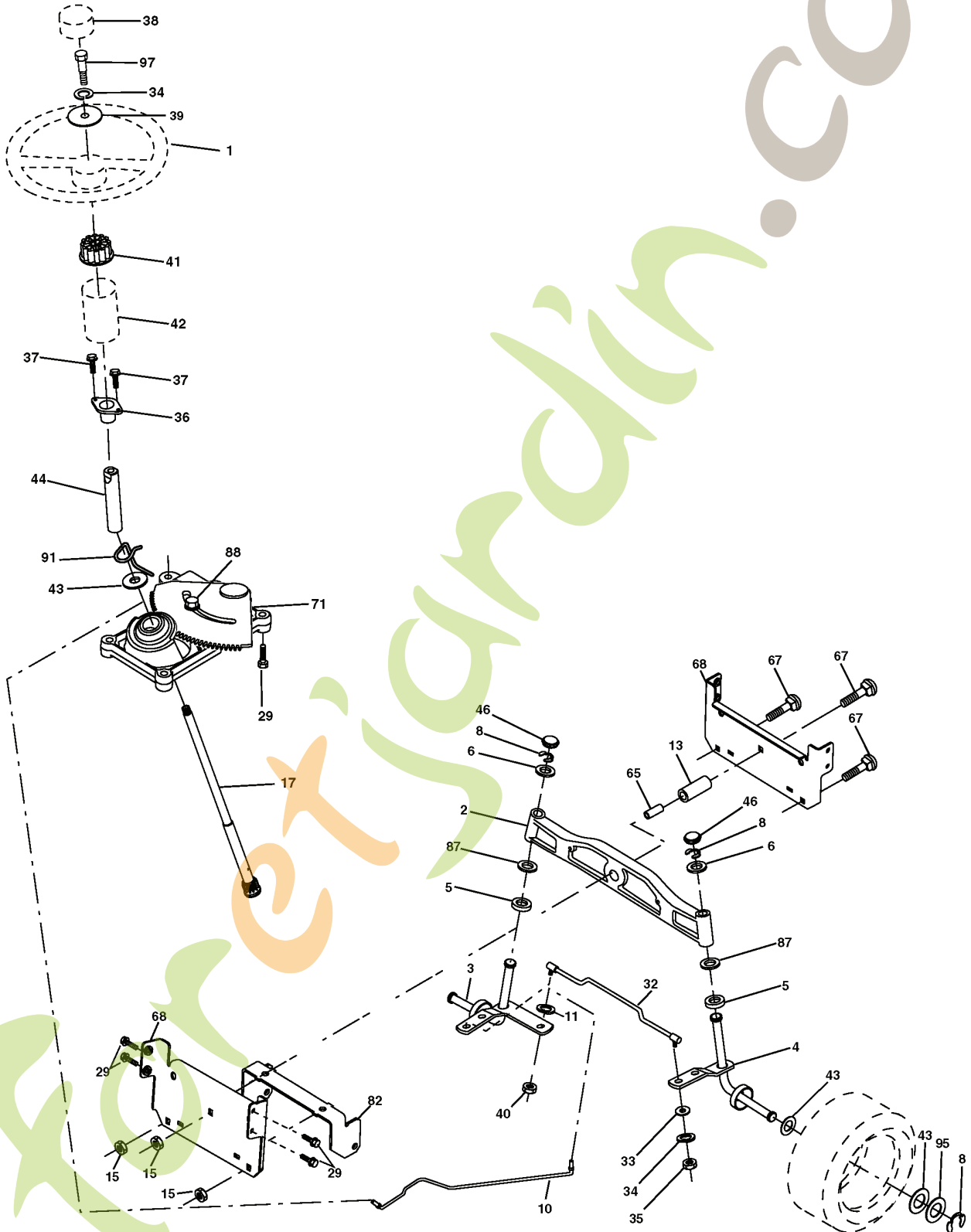
lift-rh.1piece_9

REF.	PART NO.	DESCRIPTION	REMARK
1	532159460	WIRE	
2	532159471	LEVER	
3	532105767	PIN RETAINING SCREW	
4	812000002	RETAINER RING	
5	819211621	WASHER	
6	532120183	BEARING	
7	532125631	HANDLE	
8	532124526	KNOB	
11	532165829	ROD	
12	532165831	ROD	
13	532124670	RETAINER RING	
15	532173288	LINK	
16	873350800	NUT	
17	532175689	BRACKET	
18	873800800	NUT	
19	532139868	LEVER	
20	532194209	SPRING	
23	532110807	NUT	
24	819131016	WASHER	
25	532124874	SPRING	
26	532169484	PIN	
27	532126971	LEVER	
28	873350600	NUT	
29	532138057	KNOB	
30	532150233	TRUNNION	
31	532169865	BEARING	
32	873540600	NUT	
36	532155097	INDICATOR	
37	532123935	PLUG	
38	817060516	SCREW	
40	819112410	WASHER	
41	532123934	INDICATOR	
49	532145212	NUT	
50	532110452	NUT	

forretjardin.com

REPAIR PARTS

TRACTOR--MODEL NO. CT151 (96061006401) PRODUCT NO. 960 61 00-64
STEERING ASSEMBLY

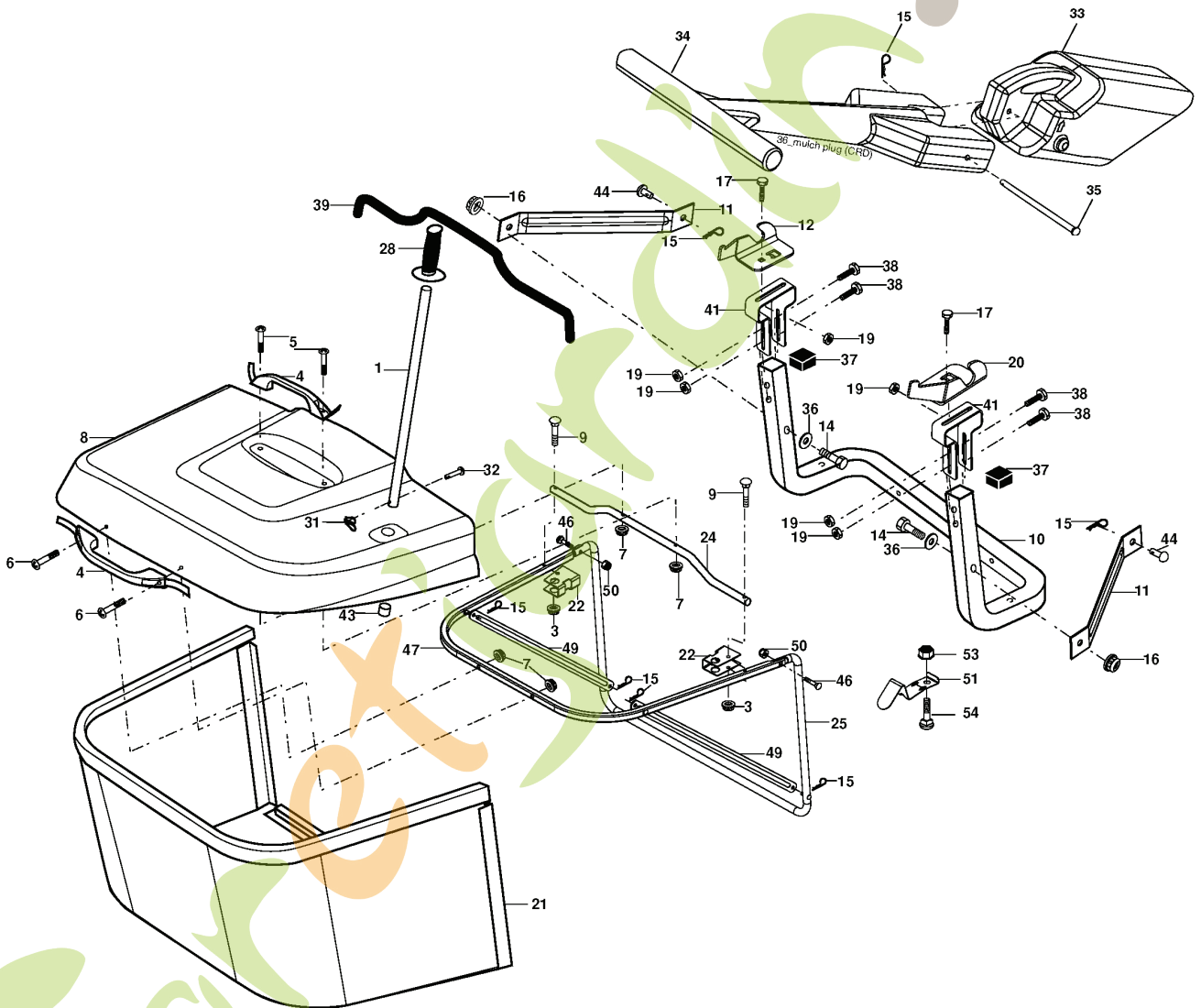


REF.	PART NO.	DESCRIPTION	REMARK
1	532193651	STEERING WHEEL	
2	532184706	SHAFT	
3	532169840	SPINDLE	
4	532169839	SPINDLE	
5	532124931	WASHER	
6	532121748	WASHER	
8	812000029	RETAINER RING	
10	532175121	ROD	
11	810040600	WASHER	
13	532136518	PIPE	
15	532145212	NUT	
17	532190753	ROD	
29	817000612	SCREW	
32	532170162	ROD	
33	819111216	WASHER	
34	810040500	WASHER	
35	873540500	NUT	
36	532155099	BUSHING	
37	532152927	SCREW	
38	532193652	HUB	
39	819113812	WASHER	
40	876540600	NUT	
41	532186737	ADAPTER	
42	532169634	SLEEVE	
43	532121749	WASHER	
44	532190752	SHAFT	
46	532121232	HUB CAP	
65	532160367	SPACER	
67	872110618	BOLT	
68	532169827	SHAFT	
71	532175146	STEERING GEAR	
82	532199978	SUPPORT ESSIEU AVANT	
87	532173966	WASHER	
88	532175118	BOLT	
91	532175553	SPRING	
95	532188967	WASHER	
97	874780564	BOLT	

forretjardin.com

REPAIR PARTS

TRACTOR- -MODEL NO. CT151 (96061006401) PRODUCT NO. 960 61 00-64
BAGGER



Bagger Asy (CRD)_11

REF.	PART NO.	DESCRIPTION	REMARK
1	532165249	ROD	
3	532123976	LOCKNUT	
4	532169916	HANDLE	
5	874981024	SCREW	
6	874981032	SCREW	
7	873401000	NUT	
8	532181095	COVER	
9	872140418	BOLT	
10	532181282	TUBE	
11	532165719	ROD	
12	532188848	BRACKET	
14	874520636	BOLT	
16	873900600	NUT	
15	532124670	RETAINER RING	
17	872140506	BOLT	
19	873900500	NUT	
20	532188847	BRACKET	
21	532193838	BAG	
22	532165781	CLAMP	
24	532165783	FRAME	
25	532193705	PIPE	
28	532165787	HANDLE	
31	532169484	PIN	
32	532126875	RIVET	
33	532165571	PLUG	
34	532165570	HANDLE	
35	532165572	PIN RETAINING SCREW	
36	819132012	WASHER	
37	532175401	PLUG	
38	872010520	BOLT	
39	532180985	SEAL	
41	532169683	BRACKET	
43	532174083	PLUG	
44	532193312	PIN CLEVIS	
46	872110510	BOLT	
47	532193704	PIPE	
49	532193305	ROD	
50	873800500	LOCK NUT	
51	532199903	LATCH	
53	873510400	NUT	
54	872140406	BOLT	

forretjardir.com