

CT151, HECT151C, 954170207 2004-06

ForêtJardin.com

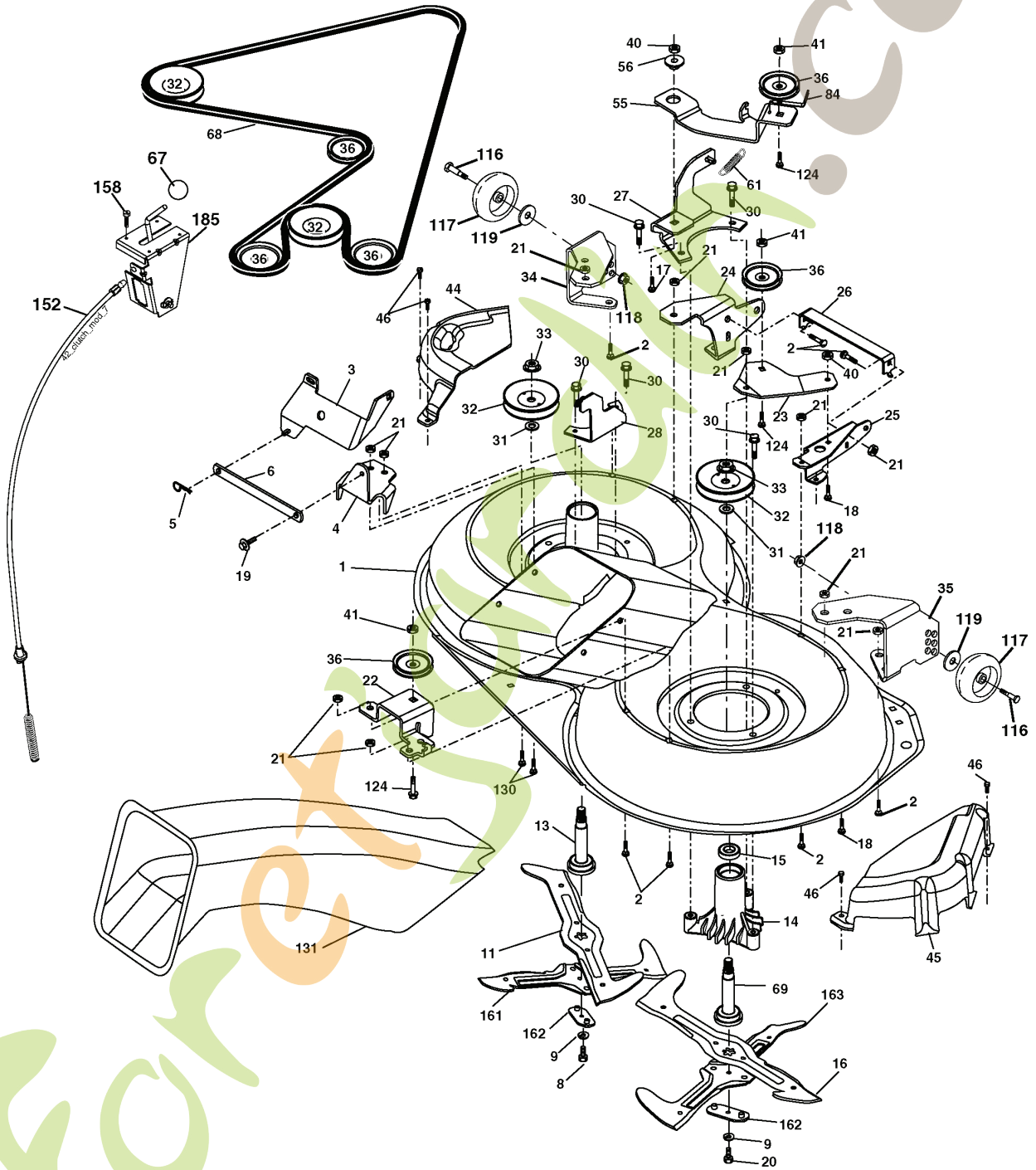
---

# SPARE PARTS LIST

ForEtjardin.com

# REPAIR PARTS

TRACTOR- -MODEL NO. CT151 (HECT151C) PRODUCT NO. 954 17 02-07  
MOWER



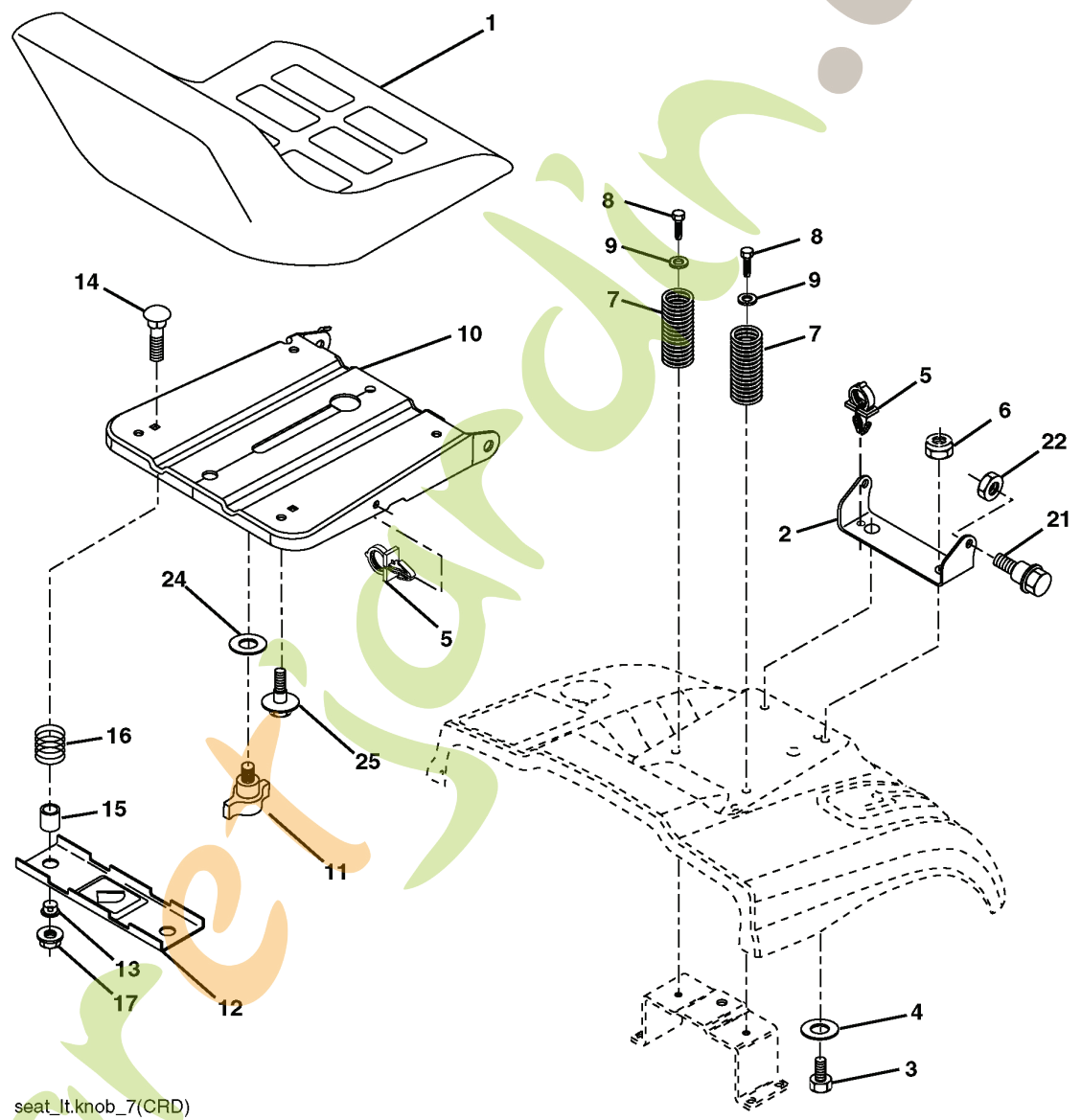
REF.	PART NO.	DESCRIPTION	REMARK	QTY.	KIT
1	532165552	HOUSING		1	
2	872140506	BOLT		1	
3	532165569	BRACKET		1	
4	532165558	BRACKET		1	
5	532124670	RETAINER RING		1	
6	532165557	ROD		1	
8	532181712	BOLT		1	
9	810030600	WASHER		1	
11	532186385	BLADE		1	
13	532137645	SHAFT		1	
14	532128774	BEARING HOUSING		1	
15	532110485	BEARING		1	
16	532186386	BLADE		1	
17	872140610	BOLT		1	
18	872110606	BOLT		1	
19	532132827	SPEC. BOLT		1	
20	532181713	BOLT		1	
21	873680500	NUT		1	
22	532165243	BRACKET		1	
23	532165446	PLATE		1	
24	532165242	BRACKET		1	
25	532165244	BRACKET		1	
26	532165237	ROD		1	
27	532165568	BRACKET		1	
28	532165567	BRACKET		1	
30	532173984	SCREW		1	
31	532187690	WASHER		1	
32	532153531	PULLEY		1	
33	532178342	NUT		1	
34	532165239	BRACKET		1	
35	532165238	BRACKET		1	
36	532146763	PULLEY		1	
40	873680600	NUT		1	
41	873900600	NUT		1	
44	532175538	COVER		1	
45	532175539	COVER		1	
46	532137729	SCREW		1	
55	532165445	LEVER		1	
56	532165723	SPACER		1	
61	532165945	SPRING		1	
67	532106932	KNOB		1	
68	532180217	BELT		1	
69	532165482	SHAFT		1	
84	532156085	BELT GUIDE		1	
116	532184219	BOLT		1	
117	532133957	WHEEL		1	
118	873930600	NUT		1	
119	819121414	WASHER		1	
124	872110612	BOLT		1	
130	872110506	BOLT		1	
131	532165661	PIPE		1	
152	532176074	WIRE		1	
158	817720408	SCREW		1	
161	532186387	BLADE		1	
162	532180878	ADAPTER		1	
163	532186388	BLADE		1	
185	532188234	CABLE		1	
--	532181857	BEARING HOUSING		1	
--	532181858	BEARING HOUSING		1	
--	532188523	HOUSING		1	



REF.	PART NO.	DESCRIPTION	REMARK
1	532174620	CHASSIS	
2	532180384	DRAWBAR	
3	817060612	SCREW	
5	532155272	DAMPER	
6	532184419	PLATE	
8	532126471	CLIP	
9	532188911	TABLEAU DE BORD	
10	872140608	BOLT	
11	532174996	DASHBOARD	
13	532172106	DASH	
15	874180512	SCREW	
16	873510500	NUT	
17	532188893	HOOD	
18	532184921	BUMPER	
24	874780616	BOLT	
25	819131312	WASHER	
26	873800600	NUT	
28	532183538	GRILL	
30	532179645	FENDER	
31	532165156	BRACKET	
33	532181057	FOOTREST	
34	532181058	FOOTREST	
35	872110606	BOLT	
37	817490508	SCREW	
38	532181748	BRACKET	
39	532174714	BRACKET PIVOT LASER LT	
58	532187154	DUCT	
69	532142432	SCREW	
89	532182635	CONSOLE	
145	532156524	SHAFT	
162	532180382	BRACKET	
163	532180383	BRACKET	
164	532165605	SUPPORT	
165	532181100	COVER	
166	532171875	SCREW	
170	532178862	PLATE	
171	872140620	BOLT	
172	819132016	WASHER	
173	873510600	NUT	
175	532188203	DOOR TRAP	
179	532180376	ROD	
184	532174662	BRACKET	
185	532181101	KNOB	
186	532160793	LATCH	
187	532125004	NUT	
188	819061216	WASHER	
189	810071000	WASHER	
190	871081010	SCREW	
198	532168937	WASHER	
205	817490608	SCREW	
207	817670508	SCREW	
208	817670608	SCREW	
209	817000612	SCREW	
212	532183548	INSERT	
256	532181361	COVER	
258	532185213	LENS	
259	532185214	LENS	
260	532185216	INSERT	
261	532185212	INSERT	
265	532185704	SEALING	
266	532185703	SEALING	
272	532188895	VENT HOOD LH	
273	532188896	VENT HOOD RH	
--	532187801	PLUG	

# REPAIR PARTS

TRACTOR- -MODEL NO. CT151 (HECT151C) PRODUCT NO. 954 17 02-07  
SEAT ASSEMBLY



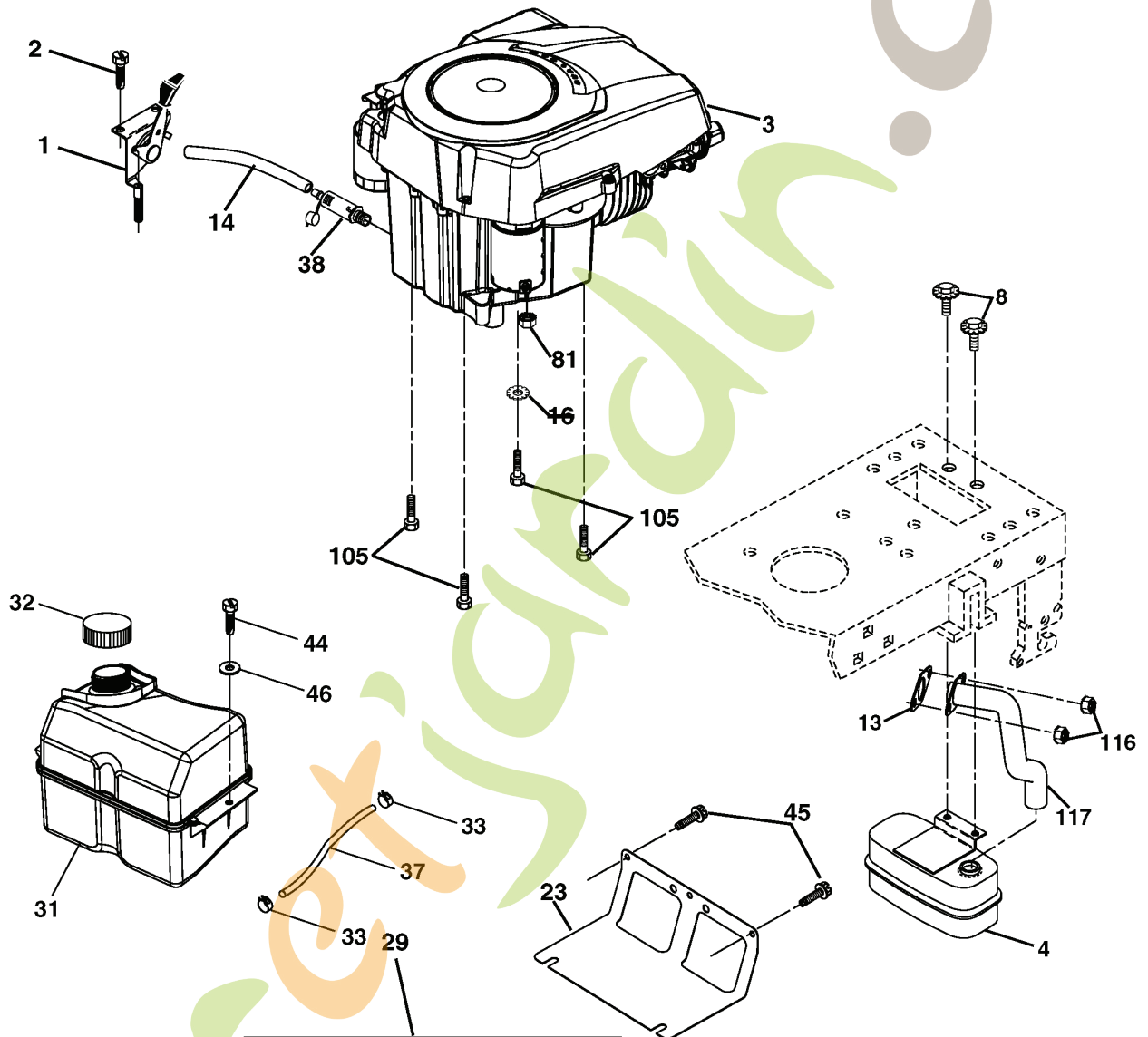
seat\_lt.knob\_7(CRD)

REF.	PART NO.	DESCRIPTION	REMARK
1	532184992	SEAT	
2	532140551	BRACKET	
3	871110616	SCREW	
4	819131610	WASHER	
5	532145006	CLIP	
6	873800600	NUT	
7	532124181	SPRING	
8	817000616	SCREW	
9	819131614	WASHER	
10	532182493	BRACKET	
11	532166369	WING NUT	
12	532121246	BRACKET	
13	532121248	BUSHING	
14	872050412	BOLT	
15	532134300	SPACER	
16	532121250	SPRING	
17	532123976	LOCKNUT	
21	532171852	BOLT	
22	873800500	LOCK NUT	
24	819171912	WASHER	
25	532127018	BOLT	

forretjardin.com

# REPAIR PARTS

TRACTOR- -MODEL NO. CT151 (HECT151C) PRODUCT NO. 954 17 02-07  
ENGINE



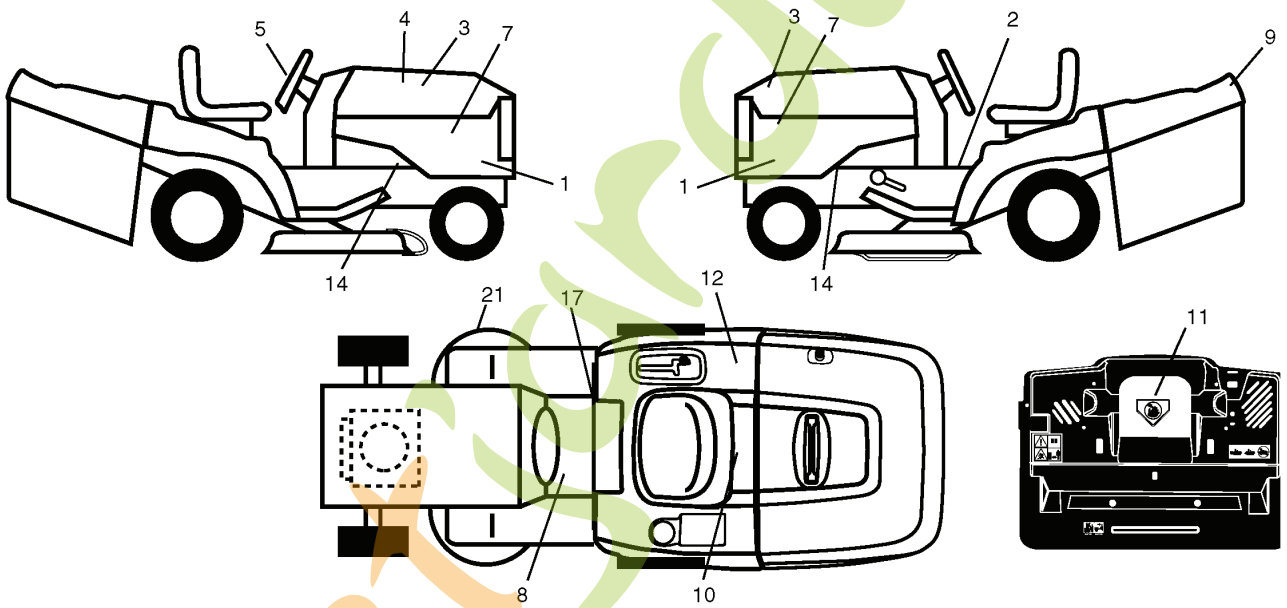
**OPTIONAL EQUIPMENT**  
**Spark Arrester**

REF.	PART NO.	DESCRIPTION	REMARK
1	532170805	CONTROL THROT /CH FLAG	
2	817720408	SCREW	
4	532188655	MUFFLER	
8	532171877	BOLT	
13	532185909	GASKET	
14	532148456	TUBE	
23	532169837	HEAT SHIELD	
29	532137180	SPARK ARRESTER KIT	
31	532183361	TANK	
32	532140527	FUEL CAP	
33	532123487	HOSE CLAMP	
37	532137040	HOSE	
38	532181654	PLUG	
44	817670412	SCREW	
45	817000612	SCREW	
46	819091416	WASHER	
81	873510400	NUT	
105	817120616	SCREW	
116	532184362	NUT	
117	532188654	TUBE EXHAUST	

forretjardin.com

# REPAIR PARTS

TRACTOR- -MODEL NO. CT151 (HECT151C) PRODUCT NO. 954 17 02-07  
DECALS

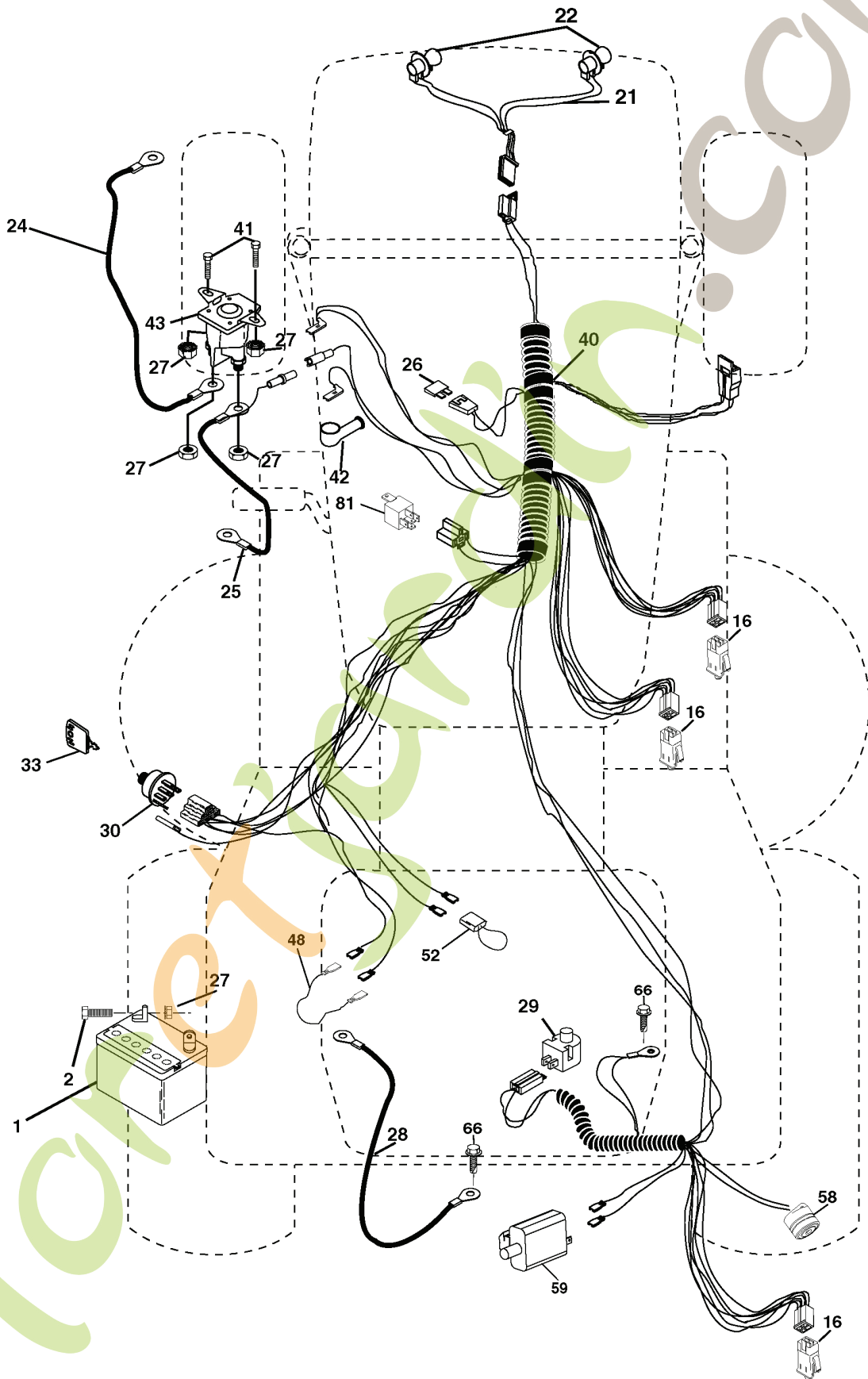


REF.	PART NO.	DESCRIPTION	REMARK
1	532191143	DECAL	
2	532145498	DECAL	
3	532188923	DECAL	
4	532189147	DECALC.VOLUTE MOTEUR	
5	532188925	DECAL	
7	532188921	DECAL	
8	532159737	DECAL	
9	532188929	DECAL	
10	532145005	DECAL	
11	532182166	DECAL	
12	532180432	DECAL	
14	532159736	DECAL	
17	532140837	DECAL	
21	532166286	DECAL	
--	532138311	DECAL	
--	532181091	PLATE	
--	532181090	PLATE	
--	532182621	DECAL	
--	532180435	DECAL	
--	532191670		
--	532191671		

ForêtJardin.com

# REPAIR PARTS

TRACTOR- -MODEL NO. CT151 (HECT151C) PRODUCT NO. 954 17 02-07  
ELECTRICAL



REF.	PART NO.	DESCRIPTION	REMARK
1	532144927	BATTERY	
2	874760412	BOLT	
16	532176138	MICRO SWITCH	
21	532175688	HARNESS	
22	532004152	BULB	
24	532124780	CABLE	
25	532165987	CABLE	
26	532175158	FUSE	
27	873510400	NUT	
28	532127725	CABLE	
29	532121305	SWITCH	
30	532175566	SWITCH	
33	532140401	KEY	
40	532188036	HARNESS	
41	871110408	BOLT	
42	532131563	COVER	
43	532178861	SOLENOID	
48	532140844	ADAPTER	
52	532141940	WIRE	
58	532169419	BUZZER	
59	532180379	SWITCH FBI	
66	817490608	SCREW	
81	532109748	RELAY	

forretjardin.com



REF.	PART NO.	DESCRIPTION	REMARK
2	532146682	SPRING	
3	532165999	PULLEY	
4	812000028	CLIP	
5	532121520	BRACKET	
6	817060512	SCREW	
8	532165619	ROD	
9	532180354	CLUTCH	
10	876020416	SPLIT PIN	
11	532105701	WASHER	
13	874550412	BOLT	
14	810040400	WASHER	
15	874490544	SCREW	
16	873800500	LOCK NUT	
18	874780616	BOLT	
19	873800600	NUT	
21	532121274	KNOB	
22	532175607	ROD	
24	873350600	NUT	
25	532106888	SPRING	
26	819131316	WASHER	
27	876020412	SPLIT PIN	
28	532175765	SHAFT	
29	532071673	COVER	
30	532174973	BRACKET	
34	532175578	SHAFT	
35	532120183	BEARING	
36	819211616	WASHER	
37	532124963	PIN RETAINING SCREW	
38	532165936	PULLEY	
39	874760644	BOLT	
40	532124965	SPACER	
42	819131312	WASHER	
43	819111012	WASHER	
47	532127783	PULLEY	
48	532154407	GUIDE	
49	532123205	BELT GUIDE	
50	872110612	BOLT	
51	873680600	NUT	
53	532105710	LINK	
55	532105709	SPRING	
56	817060620	SCREW	
57	532165631	BELT	
62	532123533	PEDAL RUBBER	
65	810040700	WASHER	
66	532154778	TENSIONER	
74	532137057	SPACER	
75	532121749	WASHER	
76	812000001	RETAINER RING	
77	532123583	KEY	
78	532121748	WASHER	
79	532125096	WOODRUFF KEY	
80	532145090	LEVER	
82	532165711	SPRING	
83	819171216	WASHER	
84	532165621	LINK	
96	532124788	RETAINER RING	
112	819091210	WASHER	
120	873900600	NUT	
150	532165850	BUSHING	
151	819133210	WASHER	
156	532166002	WASHER	
158	532165589	BRACKET	
159	532183900	LEVER	
161	872140406	BOLT	
162	873680400	NUT	
163	874780416	BOLT	
165	532165623	BRACKET	
166	817490510	SCREW	
167	532165588	BRACKET	
168	532165492	BOLT	
171	817490608	SCREW	
172	532165635	SHAFT	
177	532165932	HOLDER	
178	532165933	HOLDER	
179	532120958	WASHER	
180	532165630	PULLEY	
181	532180211	BRACKET	
182	532182682	BELT GUIDE	

www.extendah.com

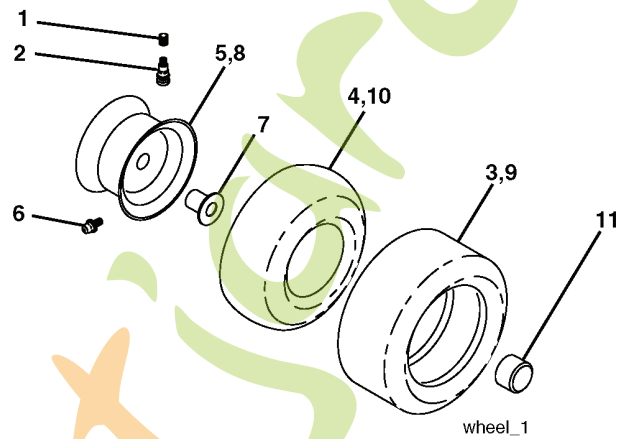
REF.	PART NO.	DESCRIPTION	REMARK
183	532186007	PULLEY	
184	817490644	SCREW	
187	817580520	BOLT	
203	871170780	BOLT	
207	532169845	WASHER	
214	532175609	LEVER	
215	532175651	ROD	
253	532175028	BRACKET	
254	817000616	SCREW	
255	532175608	SHAFT	
258	532178062	CLIP	
261	532131494	PULLEY	
263	817000612	SCREW	
264	532181995	BRACKET	
265	532182013	SPACER	
266	532182061	PROTECTOR	
267	872140626	BOLT	
268	532182402	PROTECTOR	
275	819131614	WASHER	

Forestjardin.com

## REPAIR PARTS

TRACTOR- -MODEL NO. CT151 (HECT151C) PRODUCT NO. 954 17 02-07

### WHEELS & TIRES

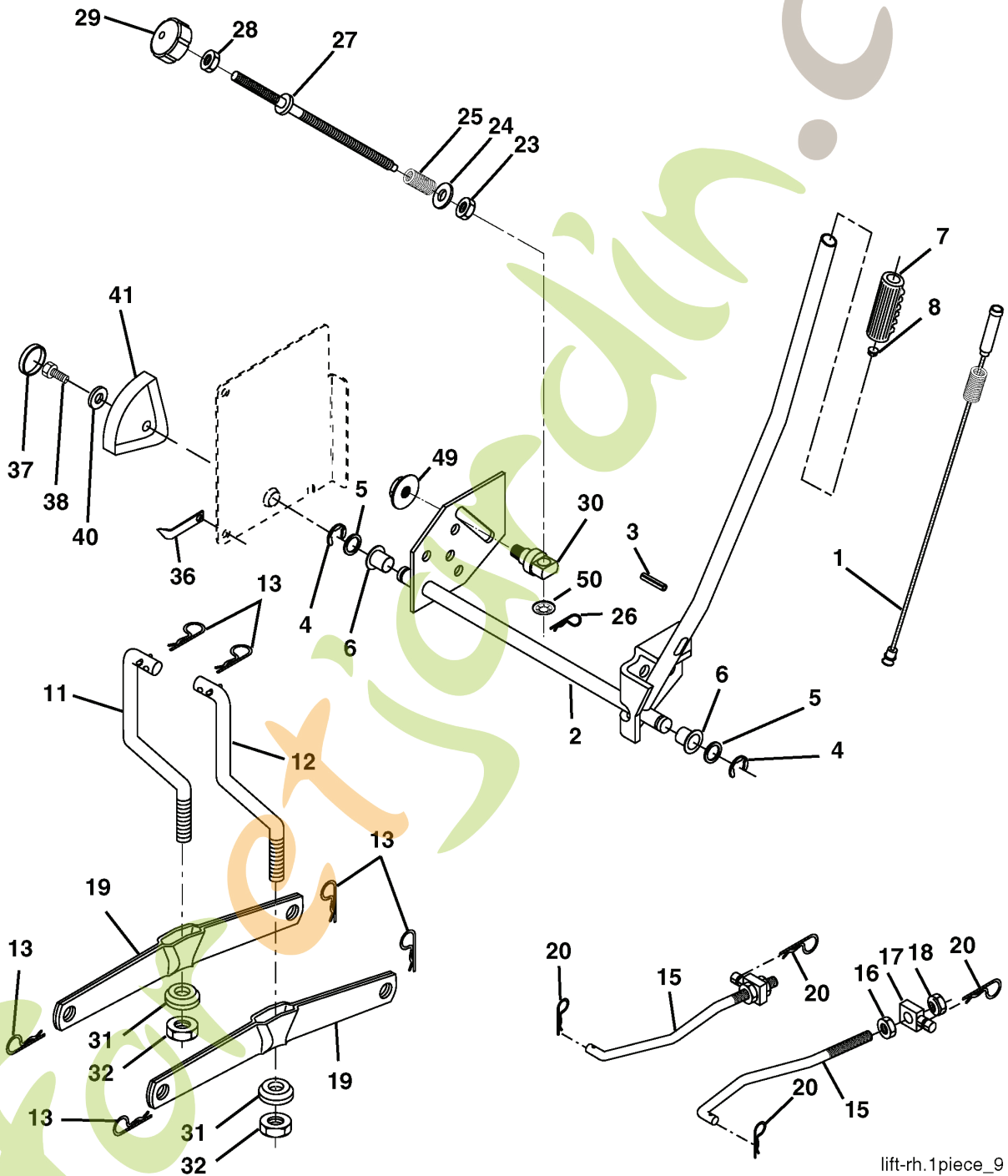


REF.	PART NO.	DESCRIPTION	REMARK
1	532059192	CAP VALVE	
2	532065139	NIPPLE	
3	532106222	TIRE	
4	532059904	HOSE	
5	532138336	RIM	
6	532124957	FITTING	
7	532124959	BEARING	
8	532138337	RIM SPROCKET	
9	532106268	TIRE	
10	532124926	HOSE	
11	532175039	HUB CAP	
--	532144334	SEALING FOAM	

ForEstjardin.com

# REPAIR PARTS

TRACTOR- -MODEL NO. CT151 (HECT151C) PRODUCT NO. 954 17 02-07  
MOWER LIFT



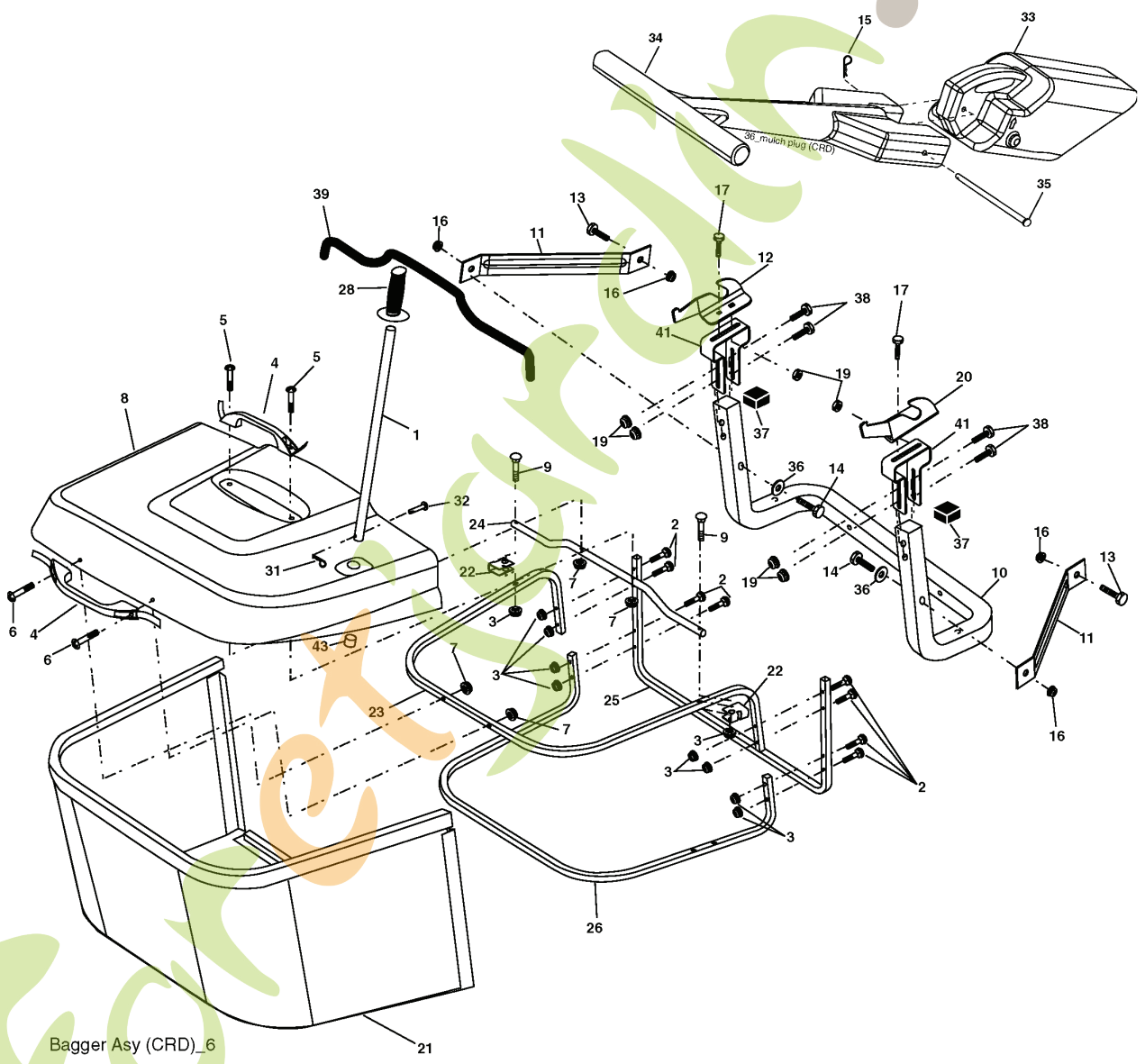
lift-rh.1piece\_9

REF.	PART NO.	DESCRIPTION	REMARK
1	532159460	WIRE	
2	532159471	LEVER	
3	532105767	PIN RETAINING SCREW	
4	812000002	RETAINER RING	
5	819211621	WASHER	
6	532120183	BEARING	
7	532125631	HANDLE	
8	532124526	KNOB	
11	532165829	ROD	
12	532165831	ROD	
13	532124670	RETAINER RING	
15	532173288	LINK	
16	873350800	NUT	
17	532175689	BRACKET	
18	873800800	NUT	
19	532139868	LEVER	
20	532163552	CLIP	
23	532110807	NUT	
24	819131016	WASHER	
25	532124874	SPRING	
26	532169484	PIN	
27	532126971	LEVER	
28	873350600	NUT	
29	532138057	KNOB	
30	532150233	TRUNNION	
31	532169865	BEARING	
32	873540600	NUT	
36	532155097	INDICATOR	
37	532123935	PLUG	
38	817060516	SCREW	
40	819112410	WASHER	
41	532123934	INDICATOR	
49	532145212	NUT	
50	532110452	NUT	

forretjardin.com

# REPAIR PARTS

TRACTOR- -MODEL NO. CT151 (HECT151C) PRODUCT NO. 954 17 02-07  
BAGGER

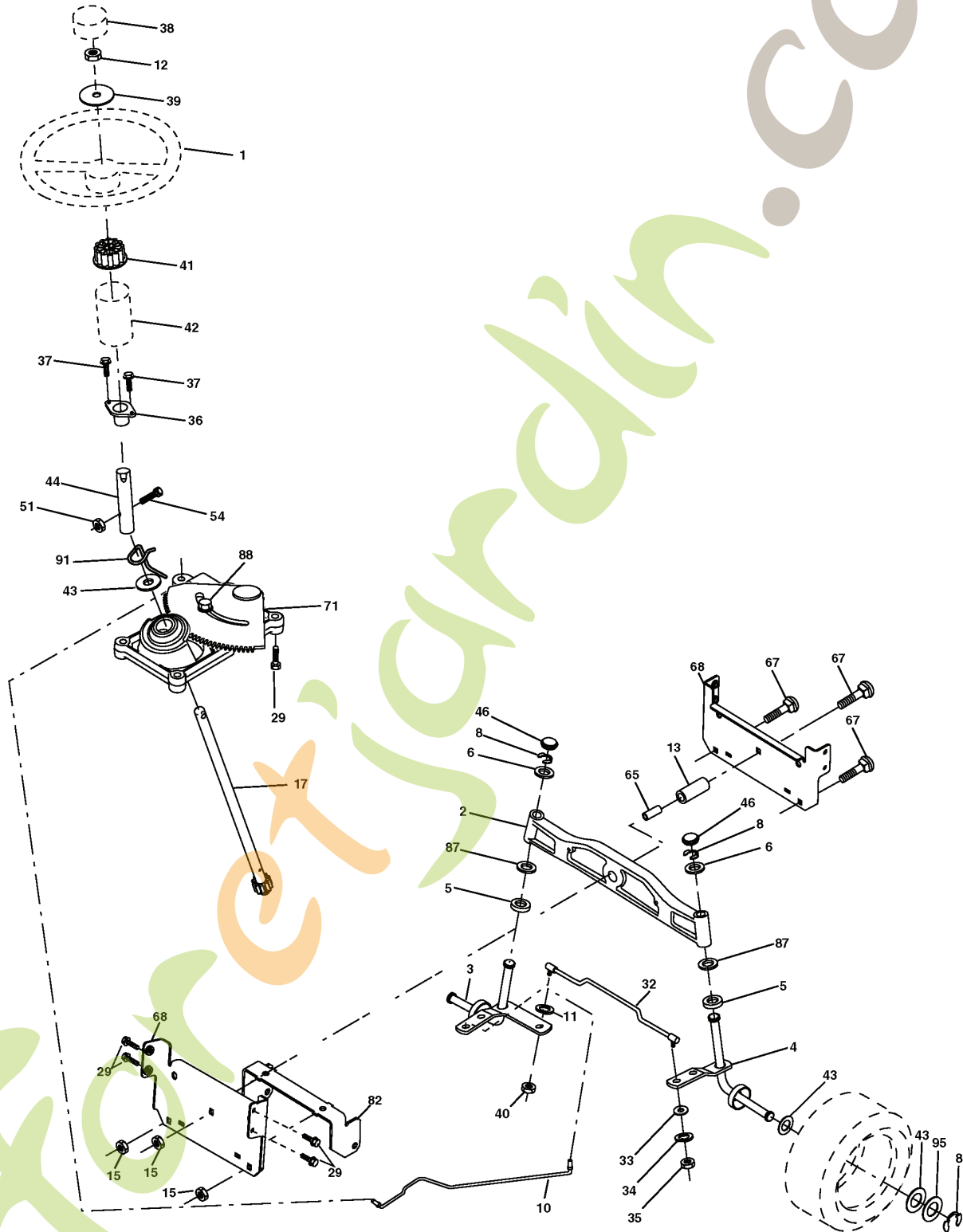


REF.	PART NO.	DESCRIPTION	REMARK
1	532165249	ROD	
2	872140416	BOLT	
3	532123976	LOCKNUT	
4	532169916	HANDLE	
5	874981024	SCREW	
6	874981032	SCREW	
7	873401000	NUT	
8	532181095	COVER	
9	872140418	BOLT	
10	532181282	TUBE	
11	532165719	ROD	
12	532188848	BRACKET	
13	872110606	BOLT	
14	874520636	BOLT	
15	532124670	RETAINER RING	
16	873900600	NUT	
17	872140506	BOLT	
19	873900500	NUT	
20	532188847	BRACKET	
21	532180880	BAG	
22	532165781	CLAMP	
23	532165782	FRAME	
24	532165783	FRAME	
25	532180124	TUBE	
26	532165785	FRAME	
28	532165787	HANDLE	
31	532169484	PIN	
32	532126875	RIVET	
33	532165571	PLUG	
34	532165570	HANDLE	
35	532165572	PIN RETAINING SCREW	
36	819132016	WASHER	
37	532175401	PLUG	
38	872010520	BOLT	
39	532180985	SEAL	
41	532169683	BRACKET	
43	532174083	PLUG	

forretjardin.com

# REPAIR PARTS

TRACTOR- -MODEL NO. CT151 (HECT151C) PRODUCT NO. 954 17 02-07  
STEERING ASSEMBLY



REF.	PART NO.	DESCRIPTION	REMARK
1	532166627	STEERING WHEEL	
2	532184706	SHAFT	
3	532169840	SPINDLE	
4	532169839	SPINDLE	
5	532124931	WASHER	
6	532121748	WASHER	
8	812000029	RETAINER RING	
10	532175121	ROD	
11	810040600	WASHER	
12	873940800	NUT	
13	532136518	PIPE	
15	532145212	NUT	
17	532180641	SHAFT	
29	817000612	SCREW	
32	532170162	ROD	
33	819111216	WASHER	
34	810040500	WASHER	
35	873540500	NUT	
36	532155099	BUSHING	
37	532152927	SCREW	
38	532166626	INSERT	
39	819182411	WASHER	
40	532124701	NUT	
41	532159945	ADAPTER	
42	532169634	SLEEVE	
43	532121749	WASHER	
44	532180640	SHAFT	
46	532121232	HUB CAP	
51	873540400	NUT	
54	871130420	BOLT	
65	532160367	SPACER	
67	872110618	BOLT	
68	532169827	SHAFT	
71	532175146	STEERING GEAR	
82	532169835	BRACKET	
87	532173966	WASHER	
88	532175118	BOLT	
91	532175553	SPRING	
95	532188967	WASHER	

forretjardir.com