

CT151, 96061000100, 954170207, 2005-01

forretjardin.com

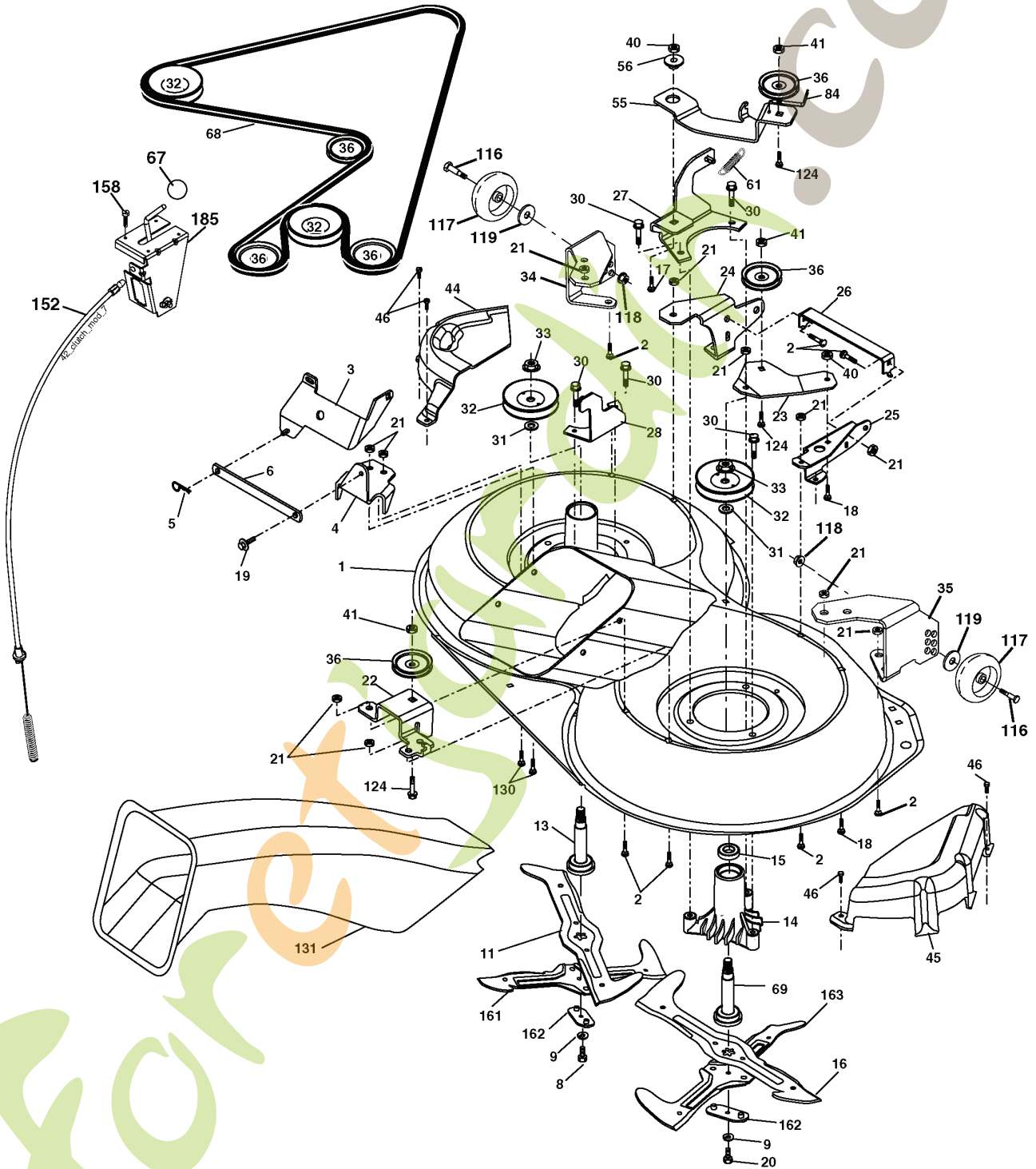
---

# SPARE PARTS LIST

ForEtjardin.com

# REPAIR PARTS

TRACTOR- -MODEL NO. CT151 (96061000100) PRODUCT NO. 954 17 02-07  
MOWER



36(92cm)\_deck-elect.(CRD)\_1  
36 GW med/wide/std

| REF. | PART NO.  | DESCRIPTION     | REMARK |
|------|-----------|-----------------|--------|
| 1    | 532165552 | HOUSING         |        |
| 2    | 872140506 | BOLT            |        |
| 3    | 532165569 | BRACKET         |        |
| 4    | 532165558 | BRACKET         |        |
| 5    | 532124670 | RETAINER RING   |        |
| 6    | 532165557 | ROD             |        |
| 8    | 532181712 | BOLT            |        |
| 9    | 810030600 | WASHER          |        |
| 11   | 532186385 | BLADE           |        |
| 13   | 532137645 | SHAFT           |        |
| 14   | 532128774 | BEARING HOUSING |        |
| 15   | 532110485 | BEARING         |        |
| 16   | 532186386 | BLADE           |        |
| 17   | 872140610 | BOLT            |        |
| 18   | 872110606 | BOLT            |        |
| 19   | 532132827 | SPEC. BOLT      |        |
| 20   | 532181713 | BOLT            |        |
| 21   | 873680500 | NUT             |        |
| 22   | 532165243 | BRACKET         |        |
| 23   | 532165446 | PLATE           |        |
| 24   | 532165242 | BRACKET         |        |
| 25   | 532165244 | BRACKET         |        |
| 26   | 532165237 | ROD             |        |
| 27   | 532165568 | BRACKET         |        |
| 28   | 532165567 | BRACKET         |        |
| 30   | 532173984 | SCREW           |        |
| 31   | 532187690 | WASHER          |        |
| 32   | 532153531 | PULLEY          |        |
| 33   | 532178342 | NUT             |        |
| 34   | 532165239 | BRACKET         |        |
| 35   | 532165238 | BRACKET         |        |
| 36   | 532146763 | PULLEY          |        |
| 40   | 873680600 | NUT             |        |
| 41   | 873900600 | NUT             |        |
| 44   | 532175538 | COVER           |        |
| 45   | 532175539 | COVER           |        |
| 46   | 532137729 | SCREW           |        |
| 55   | 532165445 | LEVER           |        |
| 56   | 532165723 | SPACER          |        |
| 61   | 532165945 | SPRING          |        |
| 67   | 532106932 | KNOB            |        |
| 68   | 532180217 | BELT            |        |
| 69   | 532165482 | SHAFT           |        |
| 84   | 532156085 | BELT GUIDE      |        |
| 116  | 532184219 | BOLT            |        |
| 117  | 532174873 | WHEEL           |        |
| 118  | 873930600 | NUT             |        |
| 119  | 819121414 | WASHER          |        |
| 124  | 872110612 | BOLT            |        |
| 130  | 872110506 | BOLT            |        |
| 131  | 532165661 | PIPE            |        |
| 152  | 532176074 | WIRE            |        |
| 158  | 817720408 | SCREW           |        |
| 161  | 532186387 | BLADE           |        |
| 162  | 532180878 | ADAPTER         |        |
| 163  | 532186388 | BLADE           |        |
| 185  | 532188234 | CABLE           |        |
| --   | 532181857 | BEARING HOUSING |        |
| --   | 532181858 | BEARING HOUSING |        |
| --   | 532188523 | HOUSING         |        |

for extended.com



| REF. | PART NO.  | DESCRIPTION         | REMARK |
|------|-----------|---------------------|--------|
| 2    | 532146682 | SPRING              |        |
| 3    | 532165999 | PULLEY              |        |
| 4    | 812000028 | CLIP                |        |
| 5    | 532121520 | BRACKET             |        |
| 6    | 817060512 | SCREW               |        |
| 8    | 532165619 | ROD                 |        |
| 9    | 532180354 | CLUTCH              |        |
| 10   | 876020416 | SPLIT PIN           |        |
| 11   | 532105701 | WASHER              |        |
| 13   | 874550412 | BOLT                |        |
| 14   | 810040400 | WASHER              |        |
| 15   | 874490544 | SCREW               |        |
| 16   | 873800500 | LOCK NUT            |        |
| 18   | 874780616 | BOLT                |        |
| 19   | 873800600 | NUT                 |        |
| 21   | 532121274 | KNOB                |        |
| 22   | 532175607 | ROD                 |        |
| 24   | 873350600 | NUT                 |        |
| 25   | 532106888 | SPRING              |        |
| 26   | 819131316 | WASHER              |        |
| 27   | 876020412 | SPLIT PIN           |        |
| 28   | 532175765 | SHAFT               |        |
| 29   | 532071673 | COVER               |        |
| 30   | 532174973 | BRACKET             |        |
| 34   | 532175578 | SHAFT               |        |
| 35   | 532120183 | BEARING             |        |
| 36   | 819211616 | WASHER              |        |
| 37   | 532124963 | PIN RETAINING SCREW |        |
| 38   | 532165936 | PULLEY              |        |
| 39   | 874760644 | BOLT                |        |
| 40   | 532124965 | SPACER              |        |
| 42   | 819131312 | WASHER              |        |
| 43   | 819111012 | WASHER              |        |
| 47   | 532127783 | PULLEY              |        |
| 48   | 532154407 | GUIDE               |        |
| 49   | 532123205 | BELT GUIDE          |        |
| 50   | 872110612 | BOLT                |        |
| 51   | 873680600 | NUT                 |        |
| 53   | 532105710 | LINK                |        |
| 55   | 532105709 | SPRING              |        |
| 56   | 817060620 | SCREW               |        |
| 57   | 532165631 | BELT                |        |
| 62   | 532123533 | PEDAL RUBBER        |        |
| 65   | 810040700 | WASHER              |        |
| 66   | 532154778 | TENSIONER           |        |
| 74   | 532137057 | SPACER              |        |
| 75   | 532121749 | WASHER              |        |
| 76   | 812000001 | RETAINER RING       |        |
| 77   | 532123583 | KEY                 |        |
| 78   | 532121748 | WASHER              |        |
| 79   | 532125096 | WOODRUFF KEY        |        |
| 80   | 532145090 | LEVER               |        |
| 82   | 532165711 | SPRING              |        |
| 83   | 819171216 | WASHER              |        |
| 84   | 532165621 | LINK                |        |
| 96   | 532124788 | RETAINER RING       |        |
| 112  | 819091210 | WASHER              |        |
| 120  | 873900600 | NUT                 |        |
| 150  | 532165850 | BUSHING             |        |
| 151  | 819133210 | WASHER              |        |
| 156  | 532166002 | WASHER              |        |
| 158  | 532165589 | BRACKET             |        |
| 159  | 532183900 | LEVER               |        |
| 161  | 872140406 | BOLT                |        |
| 162  | 873680400 | NUT                 |        |
| 163  | 874780416 | BOLT                |        |
| 165  | 532165623 | BRACKET             |        |
| 166  | 817490510 | SCREW               |        |
| 167  | 532165588 | BRACKET             |        |
| 168  | 532165492 | BOLT                |        |
| 171  | 817490608 | SCREW               |        |
| 172  | 532165635 | SHAFT               |        |
| 177  | 532165932 | HOLDER              |        |
| 178  | 532165933 | HOLDER              |        |
| 179  | 532120958 | WASHER              |        |
| 180  | 532165630 | PULLEY              |        |
| 181  | 532180211 | BRACKET             |        |
| 182  | 532182682 | BELT GUIDE          |        |

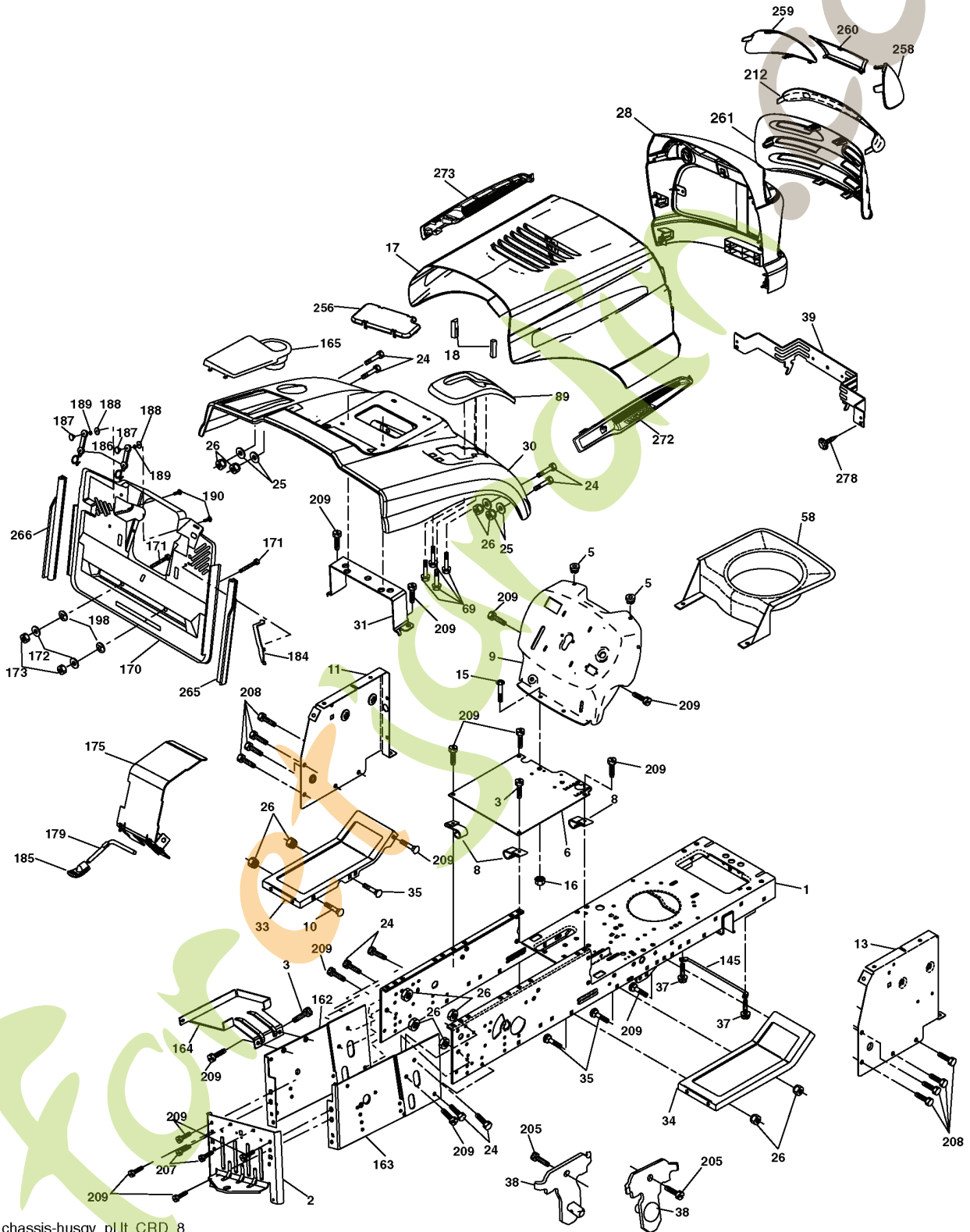
www.extendah.com

| REF. | PART NO.  | DESCRIPTION | REMARK |
|------|-----------|-------------|--------|
| 183  | 532186007 | PULLEY      |        |
| 184  | 817490644 | SCREW       |        |
| 187  | 817580520 | BOLT        |        |
| 203  | 871170780 | BOLT        |        |
| 207  | 532169845 | WASHER      |        |
| 214  | 532175609 | LEVER       |        |
| 215  | 532175651 | ROD         |        |
| 253  | 532175028 | BRACKET     |        |
| 254  | 817000616 | SCREW       |        |
| 255  | 532175608 | SHAFT       |        |
| 258  | 532178062 | CLIP        |        |
| 261  | 532131494 | PULLEY      |        |
| 263  | 817000612 | SCREW       |        |
| 264  | 532181995 | BRACKET     |        |
| 265  | 532182013 | SPACER      |        |
| 266  | 532182061 | PROTECTOR   |        |
| 267  | 872140626 | BOLT        |        |
| 268  | 532182402 | PROTECTOR   |        |
| 275  | 819131614 | WASHER      |        |

forretjardin.com

# REPAIR PARTS

TRACTOR- -MODEL NO. CT151 (96061000100) PRODUCT NO. 954 17 02-07  
CHASSIS AND ENCLOSURES



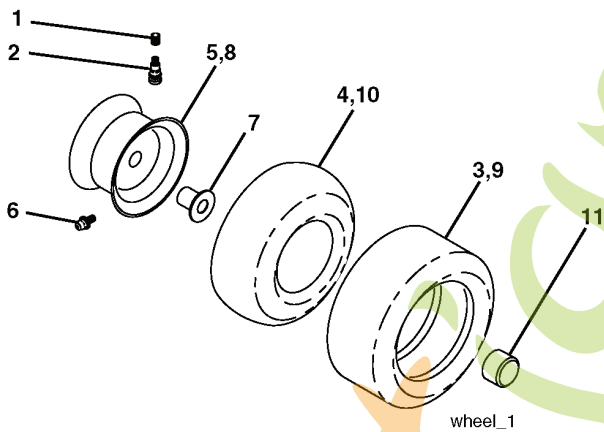
| REF. | PART NO.  | DESCRIPTION                  | REMARK |
|------|-----------|------------------------------|--------|
| 1    | 532174620 | CHASSIS                      |        |
| 2    | 532180384 | DRAWBAR                      |        |
| 3    | 817060612 | SCREW                        |        |
| 5    | 532155272 | DAMPER                       |        |
| 6    | 532184419 | PLATE                        |        |
| 8    | 532126471 | CLIP                         |        |
| 9    | 532194289 | TABLEAU*RPL.PAR 532193518014 |        |
| 10   | 872140608 | BOLT                         |        |
| 11   | 532174996 | DASHBOARD                    |        |
| 13   | 532172106 | DASH                         |        |
| 15   | 874180512 | SCREW                        |        |
| 16   | 873510500 | NUT                          |        |
| 17   | 532188893 | HOOD                         |        |
| 18   | 532184921 | BUMPER                       |        |
| 24   | 874780616 | BOLT                         |        |
| 25   | 819131312 | WASHER                       |        |
| 26   | 873800600 | NUT                          |        |
| 28   | 532183538 | GRILL                        |        |
| 30   | 532179645 | FENDER                       |        |
| 31   | 532165156 | BRACKET                      |        |
| 33   | 532181057 | FOOTREST                     |        |
| 34   | 532181058 | FOOTREST                     |        |
| 35   | 872110606 | BOLT                         |        |
| 37   | 817490508 | SCREW                        |        |
| 38   | 532181748 | BRACKET                      |        |
| 39   | 532174714 | BRACKET PIVOT LASER LT       |        |
| 58   | 532187154 | DUCT                         |        |
| 69   | 532142432 | SCREW                        |        |
| 89   | 532182635 | CONSOLE                      |        |
| 145  | 532156524 | SHAFT                        |        |
| 162  | 532180382 | BRACKET                      |        |
| 163  | 532180383 | BRACKET                      |        |
| 164  | 532165605 | SUPPORT                      |        |
| 165  | 532181100 | COVER                        |        |
| 166  | 532171875 | SCREW                        |        |
| 170  | 532178862 | PLATE                        |        |
| 171  | 872140620 | BOLT                         |        |
| 172  | 819132016 | WASHER                       |        |
| 173  | 873510600 | NUT                          |        |
| 175  | 532188203 | DOOR TRAP                    |        |
| 179  | 532188202 | ROD PIVOT FBI                |        |
| 184  | 532174662 | BRACKET                      |        |
| 185  | 532181101 | KNOB                         |        |
| 186  | 532160793 | LATCH                        |        |
| 187  | 532125004 | NUT                          |        |
| 188  | 819061216 | WASHER                       |        |
| 189  | 810071000 | WASHER                       |        |
| 190  | 871081010 | SCREW                        |        |
| 198  | 532168937 | WASHER                       |        |
| 205  | 817490608 | SCREW                        |        |
| 207  | 817670508 | SCREW                        |        |
| 208  | 817670608 | SCREW                        |        |
| 209  | 817000612 | SCREW                        |        |
| 212  | 532183548 | INSERT                       |        |
| 256  | 532181361 | COVER                        |        |
| 258  | 532185214 | LENS                         |        |
| 259  | 532185213 | LENS                         |        |
| 260  | 532185216 | INSERT                       |        |
| 261  | 532185212 | INSERT                       |        |
| 265  | 532185704 | SEALING                      |        |
| 266  | 532185703 | SEALING                      |        |
| 272  | 532188896 | VENT HOOD RH                 |        |
| 273  | 532188895 | VENT HOOD LH                 |        |
| 278  | 532191611 | SCREW                        |        |
| --   | 532193935 | PLUG                         |        |
| --   | 532187801 | PLUG                         |        |

roexindia.com

## REPAIR PARTS

TRACTOR- -MODEL NO. CT151 (96061000100) PRODUCT NO. 954 17 02-07

### WHEELS & TIRES

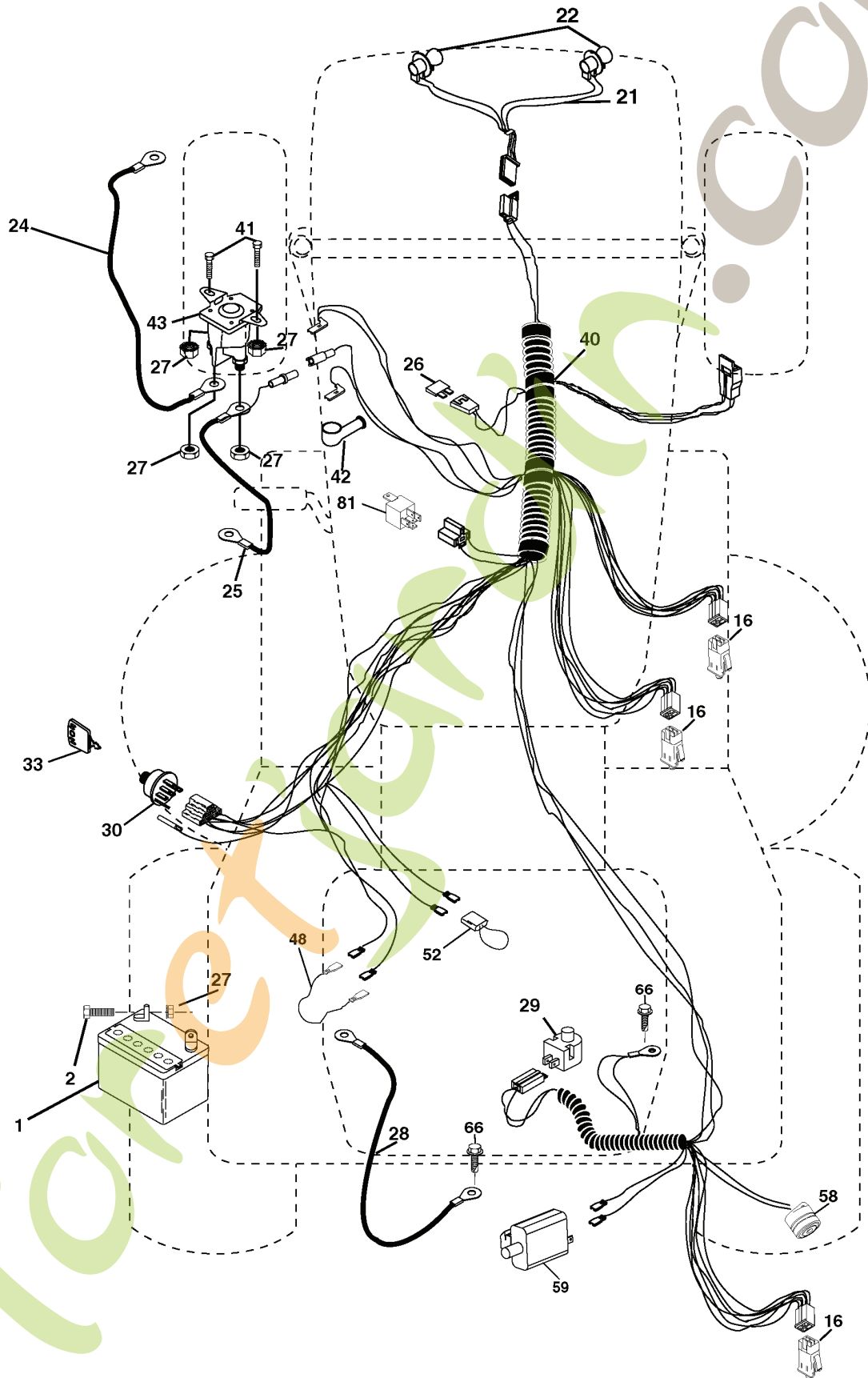


| REF. | PART NO.  | DESCRIPTION  | REMARK |
|------|-----------|--------------|--------|
| 1    | 532059192 | CAP VALVE    |        |
| 2    | 532065139 | NIPPLE       |        |
| 3    | 532106222 | TIRE         |        |
| 4    | 532059904 | HOSE         |        |
| 5    | 532138336 | RIM          |        |
| 6    | 532124957 | FITTING      |        |
| 7    | 532124959 | BEARING      |        |
| 8    | 532138337 | RIM SPROCKET |        |
| 9    | 532106268 | TIRE         |        |
| 10   | 532124926 | HOSE         |        |
| 11   | 532175039 | HUB CAP      |        |
| --   | 532144334 | SEALING FOAM |        |

ForEstjardin.com

# REPAIR PARTS

TRACTOR- -MODEL NO. CT151 (96061000100) PRODUCT NO. 954 17 02-07  
ELECTRICAL

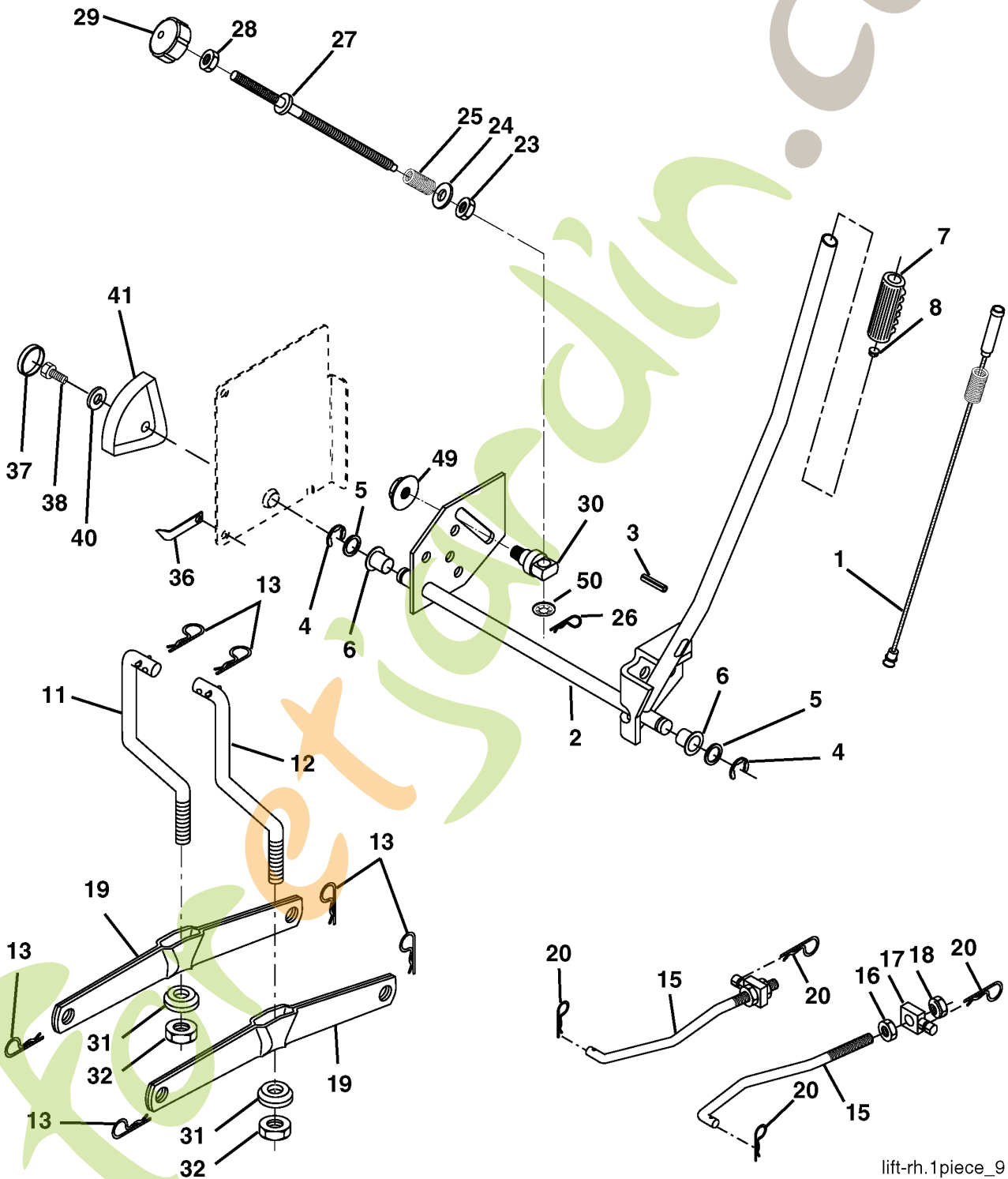


| REF. | PART NO.  | DESCRIPTION  | REMARK |
|------|-----------|--------------|--------|
| 1    | 532144927 | BATTERY      |        |
| 2    | 874760412 | BOLT         |        |
| 16   | 532176138 | MICRO SWITCH |        |
| 21   | 532175688 | HARNESS      |        |
| 22   | 532004152 | BULB         |        |
| 24   | 532124780 | CABLE        |        |
| 25   | 532165987 | CABLE        |        |
| 26   | 532175158 | FUSE         |        |
| 27   | 873510400 | NUT          |        |
| 28   | 532127725 | CABLE        |        |
| 29   | 532121305 | SWITCH       |        |
| 30   | 532175566 | SWITCH       |        |
| 33   | 532140401 | KEY          |        |
| 40   | 532188036 | HARNESS      |        |
| 41   | 871110408 | BOLT         |        |
| 42   | 532131563 | COVER        |        |
| 43   | 532178861 | SOLENOID     |        |
| 48   | 532140844 | ADAPTER      |        |
| 52   | 532141940 | WIRE         |        |
| 58   | 532169419 | BUZZER       |        |
| 59   | 532180379 | SWITCH FBI   |        |
| 66   | 817490608 | SCREW        |        |
| 81   | 532109748 | RELAY        |        |

forretjardin.com

# REPAIR PARTS

TRACTOR- -MODEL NO. CT151 (96061000100) PRODUCT NO. 954 17 02-07  
MOWER LIFT

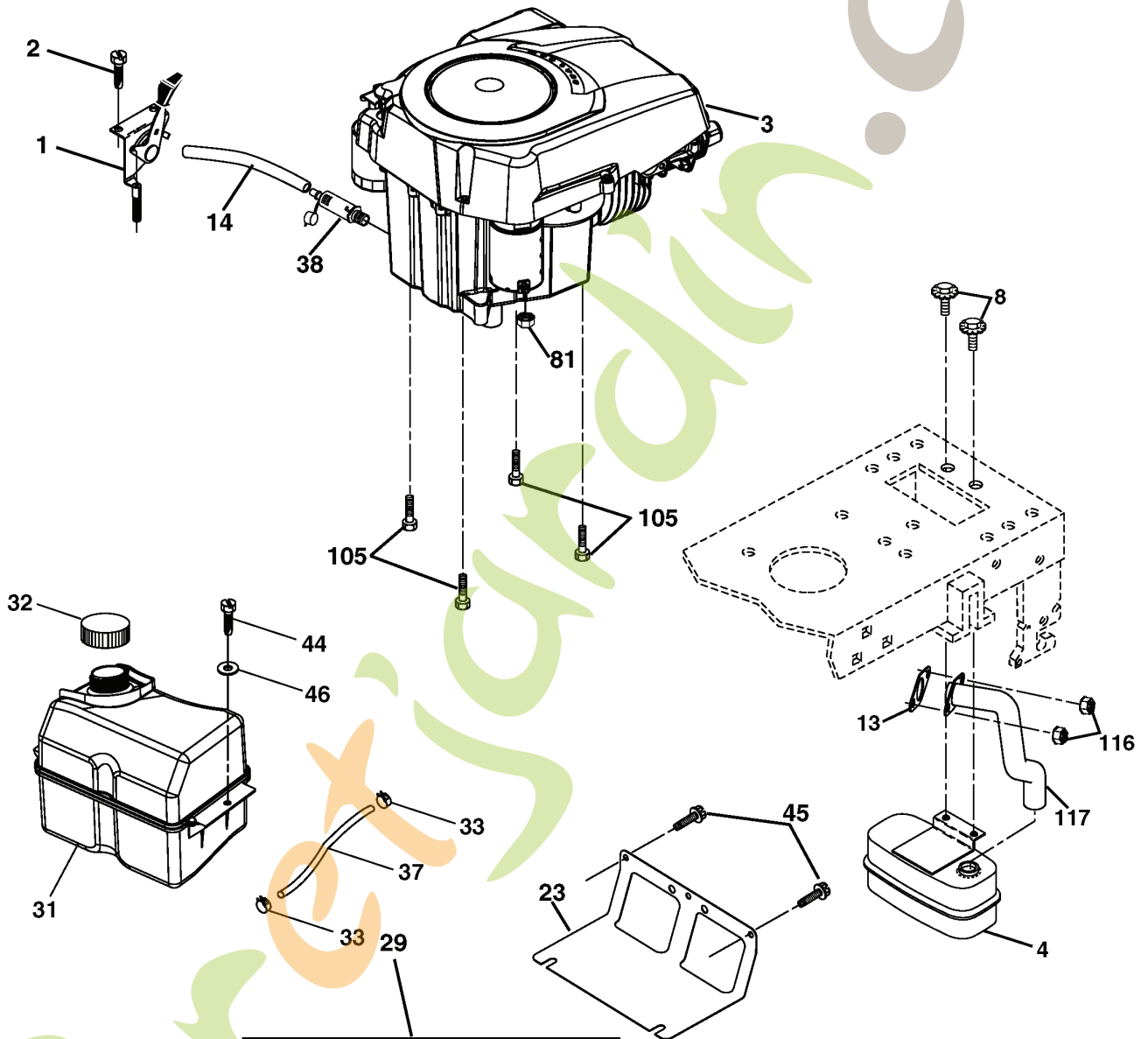


| REF. | PART NO.  | DESCRIPTION         | REMARK |
|------|-----------|---------------------|--------|
| 1    | 532159460 | WIRE                |        |
| 2    | 532159471 | LEVER               |        |
| 3    | 532105767 | PIN RETAINING SCREW |        |
| 4    | 812000002 | RETAINER RING       |        |
| 5    | 819211621 | WASHER              |        |
| 6    | 532120183 | BEARING             |        |
| 7    | 532125631 | HANDLE              |        |
| 8    | 532124526 | KNOB                |        |
| 11   | 532165829 | ROD                 |        |
| 12   | 532165831 | ROD                 |        |
| 13   | 532124670 | RETAINER RING       |        |
| 15   | 532173288 | LINK                |        |
| 16   | 873350800 | NUT                 |        |
| 17   | 532175689 | BRACKET             |        |
| 18   | 873800800 | NUT                 |        |
| 19   | 532139868 | LEVER               |        |
| 20   | 532163552 | CLIP                |        |
| 23   | 532110807 | NUT                 |        |
| 24   | 819131016 | WASHER              |        |
| 25   | 532124874 | SPRING              |        |
| 26   | 532169484 | PIN                 |        |
| 27   | 532126971 | LEVER               |        |
| 28   | 873350600 | NUT                 |        |
| 29   | 532138057 | KNOB                |        |
| 30   | 532150233 | TRUNNION            |        |
| 31   | 532169865 | BEARING             |        |
| 32   | 873540600 | NUT                 |        |
| 36   | 532155097 | INDICATOR           |        |
| 37   | 532123935 | PLUG                |        |
| 38   | 817060516 | SCREW               |        |
| 40   | 819112410 | WASHER              |        |
| 41   | 532123934 | INDICATOR           |        |
| 49   | 532145212 | NUT                 |        |
| 50   | 532110452 | NUT                 |        |

forretjardin.com

# REPAIR PARTS

TRACTOR- -MODEL NO. CT151 (96061000100) PRODUCT NO. 954 17 02-07  
ENGINE



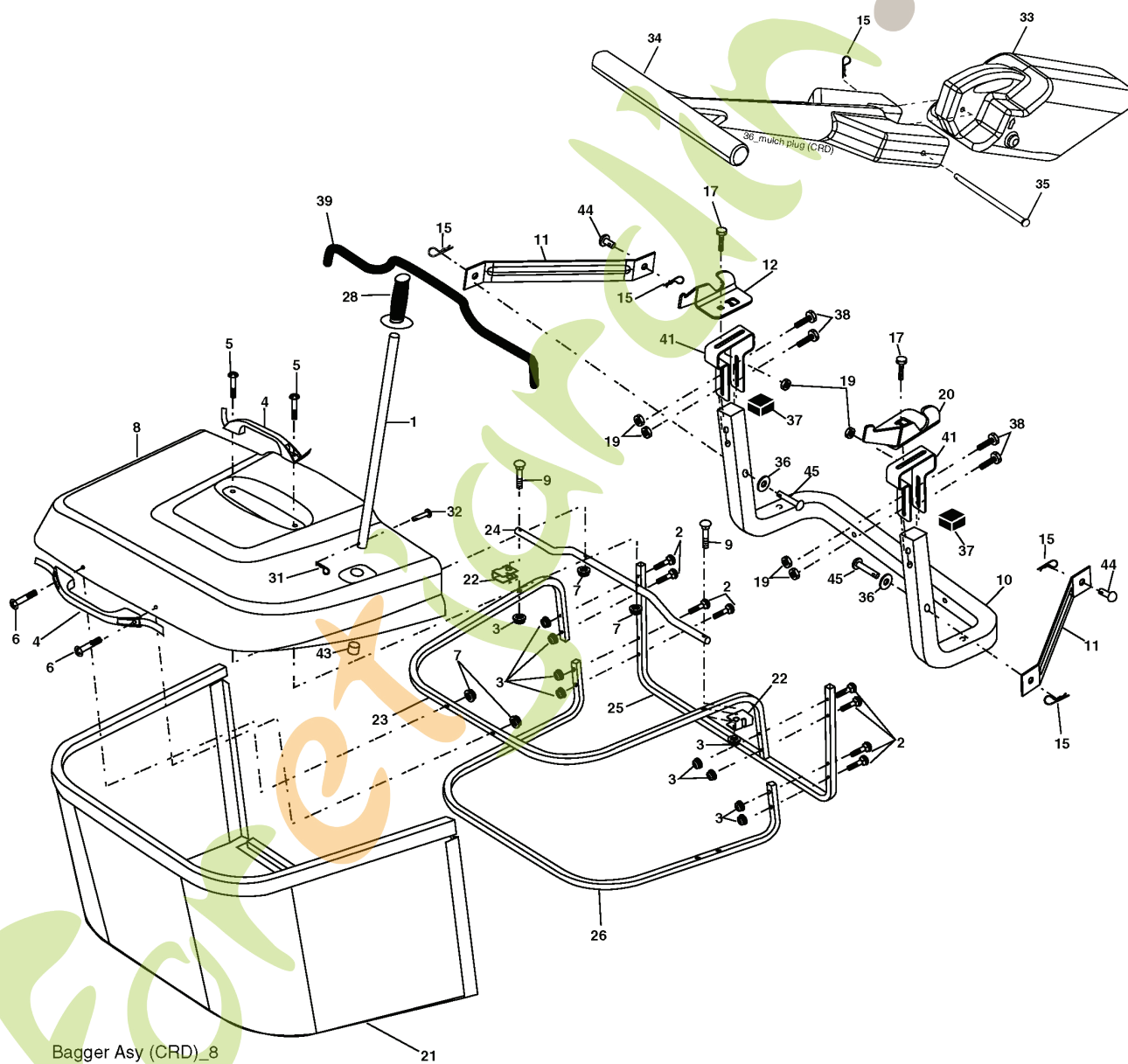
**OPTIONAL EQUIPMENT**  
**Spark Arrester**

| REF. | PART NO.  | DESCRIPTION            | REMARK |
|------|-----------|------------------------|--------|
| 1    | 532170805 | CONTROL THROT /CH FLAG |        |
| 2    | 817720408 | SCREW                  |        |
| 4    | 532188655 | MUFFLER                |        |
| 8    | 532171877 | BOLT                   |        |
| 13   | 532185909 | GASKET                 |        |
| 14   | 532148456 | TUBE                   |        |
| 23   | 532169837 | HEAT SHIELD            |        |
| 29   | 532137180 | SPARK ARRESTER KIT     |        |
| 31   | 532185534 | TANK UNIT              |        |
| 32   | 532140527 | FUEL CAP               |        |
| 33   | 532123487 | HOSE CLAMP             |        |
| 37   | 532137040 | HOSE                   |        |
| 38   | 532181654 | PLUG                   |        |
| 44   | 817670412 | SCREW                  |        |
| 45   | 817000612 | SCREW                  |        |
| 46   | 819091416 | WASHER                 |        |
| 81   | 873510400 | NUT                    |        |
| 105  | 817120616 | SCREW                  |        |
| 116  | 532184362 | NUT                    |        |
| 117  | 532188654 | TUBE EXHAUST           |        |

Forestjardin.com

# REPAIR PARTS

TRACTOR- -MODEL NO. CT151 (96061000100) PRODUCT NO. 954 17 02-07  
BAGGER

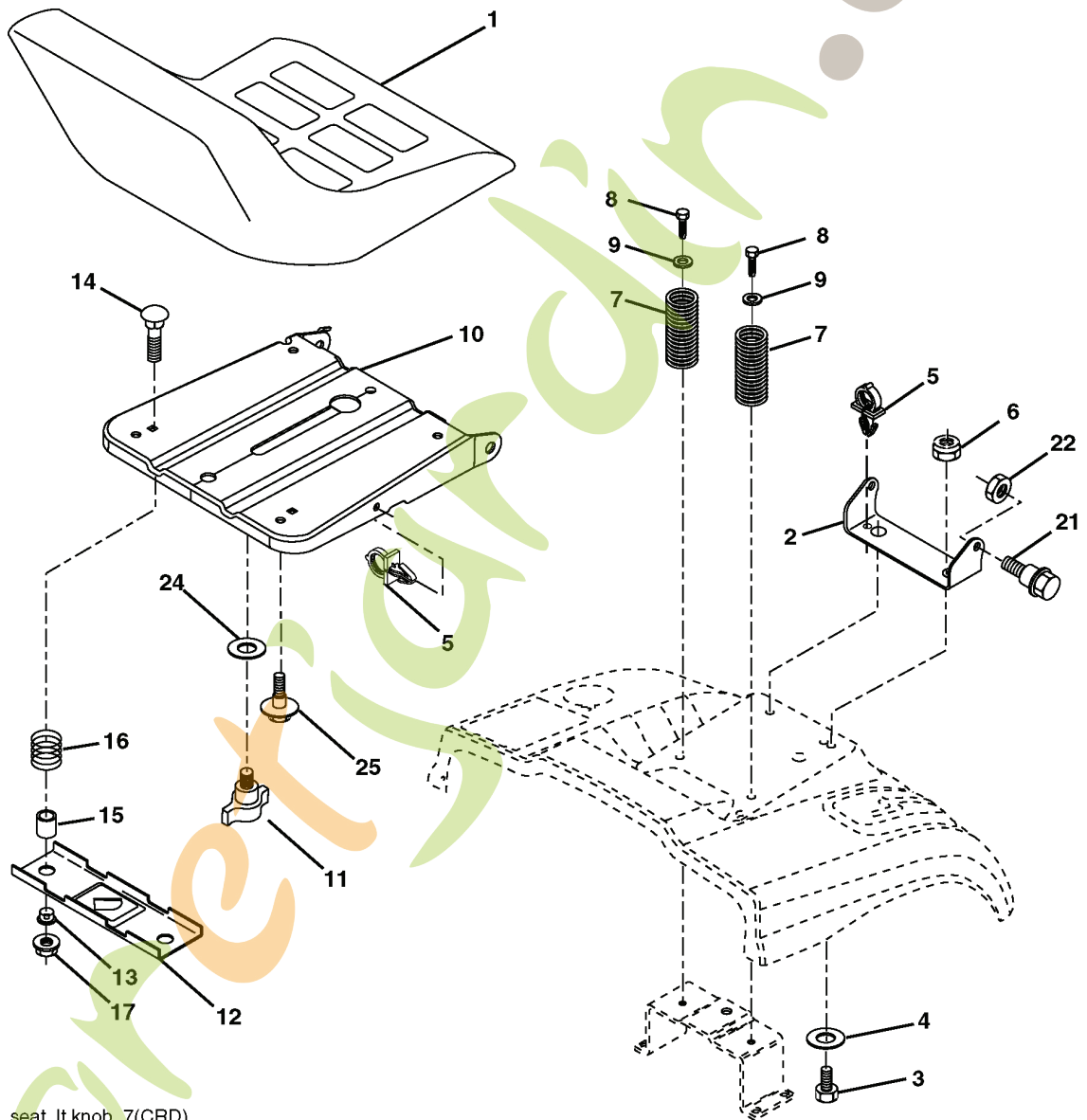


| REF. | PART NO.  | DESCRIPTION         | REMARK |
|------|-----------|---------------------|--------|
| 1    | 532165249 | ROD                 |        |
| 2    | 872140416 | BOLT                |        |
| 3    | 532123976 | LOCKNUT             |        |
| 4    | 532169916 | HANDLE              |        |
| 5    | 874981024 | SCREW               |        |
| 6    | 874981032 | SCREW               |        |
| 7    | 873401000 | NUT                 |        |
| 8    | 532181095 | COVER               |        |
| 9    | 872140418 | BOLT                |        |
| 10   | 532181282 | TUBE                |        |
| 11   | 532165719 | ROD                 |        |
| 12   | 532188848 | BRACKET             |        |
| 15   | 532124670 | RETAINER RING       |        |
| 17   | 872140506 | BOLT                |        |
| 19   | 873900500 | NUT                 |        |
| 20   | 532188847 | BRACKET             |        |
| 21   | 532180880 | BAG                 |        |
| 22   | 532165781 | CLAMP               |        |
| 23   | 532165782 | FRAME               |        |
| 24   | 532165783 | FRAME               |        |
| 25   | 532180124 | TUBE                |        |
| 26   | 532165785 | FRAME               |        |
| 28   | 532165787 | HANDLE              |        |
| 31   | 532169484 | PIN                 |        |
| 32   | 532126875 | RIVET               |        |
| 33   | 532165571 | PLUG                |        |
| 34   | 532165570 | HANDLE              |        |
| 35   | 532165572 | PIN RETAINING SCREW |        |
| 36   | 819132012 | WASHER              |        |
| 37   | 532175401 | PLUG                |        |
| 38   | 872010520 | BOLT                |        |
| 39   | 532180985 | SEAL                |        |
| 41   | 532169683 | BRACKET             |        |
| 43   | 532174083 | PLUG                |        |
| 44   | 532193312 | PIN CLEVIS          |        |
| 45   | 532193313 | PIN                 |        |

forretjardin.com

# REPAIR PARTS

TRACTOR- -MODEL NO. CT151 (96061000100) PRODUCT NO. 954 17 02-07  
SEAT ASSEMBLY



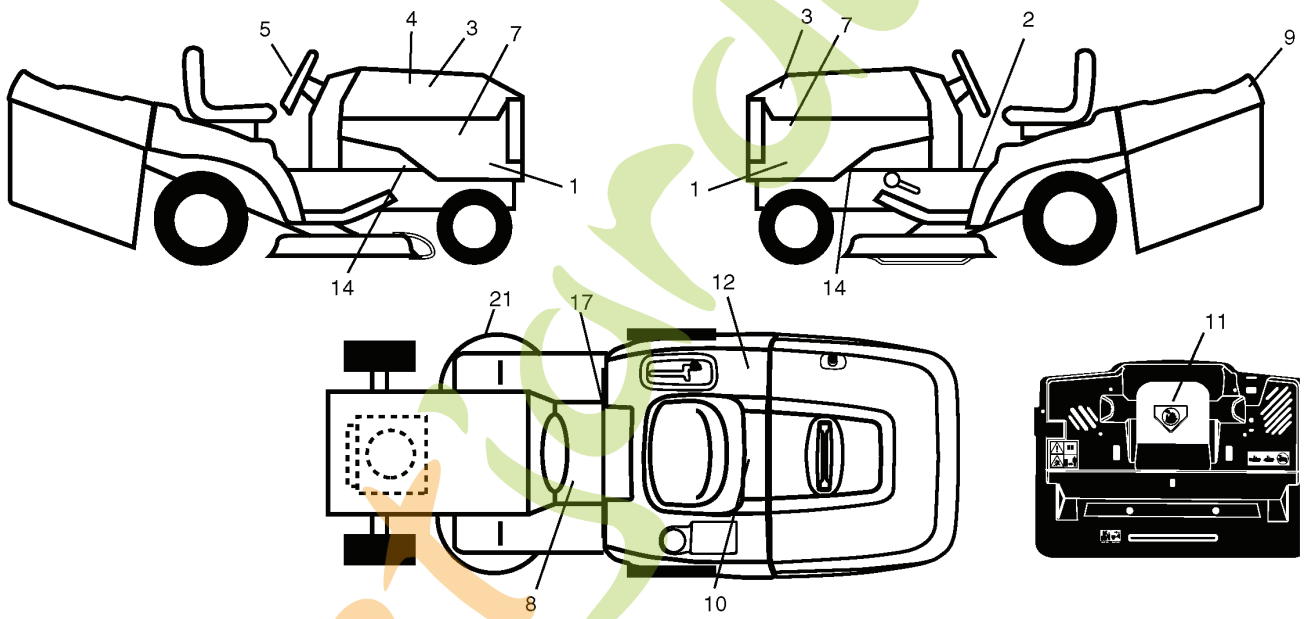
seat\_lt.knob\_7(CRD)

| REF. | PART NO.  | DESCRIPTION      | REMARK |
|------|-----------|------------------|--------|
| 1    | 532190120 | SIEGE CONDUCTEUR |        |
| 2    | 532140551 | BRACKET          |        |
| 3    | 871110616 | SCREW            |        |
| 4    | 819131610 | WASHER           |        |
| 5    | 532145006 | CLIP             |        |
| 6    | 873800600 | NUT              |        |
| 7    | 532124181 | SPRING           |        |
| 8    | 817000616 | SCREW            |        |
| 9    | 819131614 | WASHER           |        |
| 10   | 532182493 | BRACKET          |        |
| 11   | 532166369 | WING NUT         |        |
| 12   | 532121246 | BRACKET          |        |
| 13   | 532121248 | BUSHING          |        |
| 14   | 872050412 | BOLT             |        |
| 15   | 532134300 | SPACER           |        |
| 16   | 532121250 | SPRING           |        |
| 17   | 532123976 | LOCKNUT          |        |
| 21   | 532171852 | BOLT             |        |
| 22   | 873800500 | LOCK NUT         |        |
| 24   | 819171912 | WASHER           |        |
| 25   | 532127018 | BOLT             |        |

ForêtJardin.com

# REPAIR PARTS

TRACTOR- -MODEL NO. CT151 (96061000100) PRODUCT NO. 954 17 02-07  
DECALS

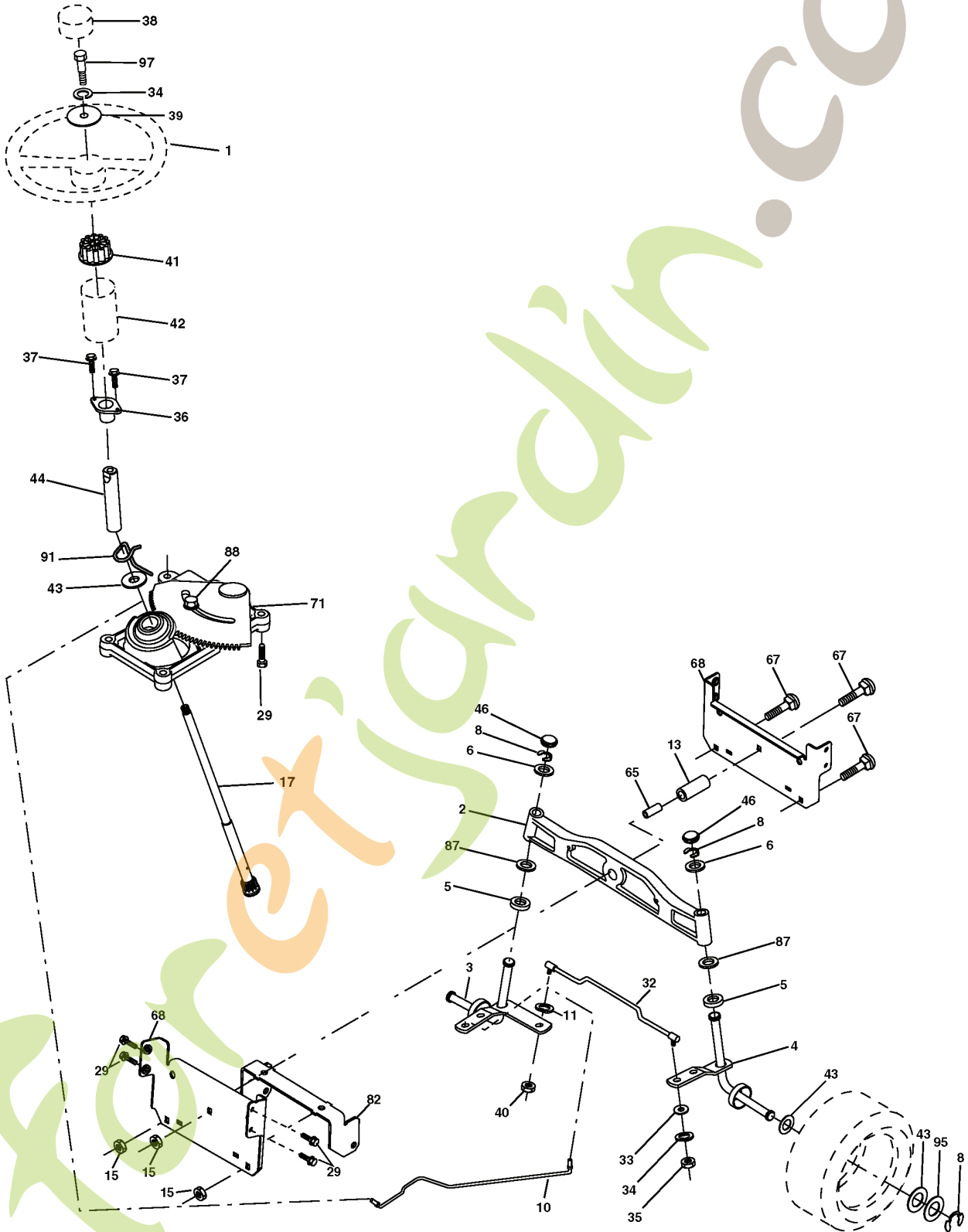


| REF. | PART NO.  | DESCRIPTION          | REMARK |
|------|-----------|----------------------|--------|
| 1    | 532191143 | DECAL                |        |
| 2    | 532145498 | DECAL                |        |
| 3    | 532188923 | DECAL                |        |
| 4    | 532189147 | DECALC.VOLUTE MOTEUR |        |
| 5    | 532188925 | DECAL                |        |
| 7    | 532188921 | DECAL                |        |
| 8    | 532159737 | DECAL                |        |
| 9    | 532188929 | DECAL                |        |
| 10   | 532145005 | DECAL                |        |
| 11   | 532182166 | DECAL                |        |
| 12   | 532180432 | DECAL                |        |
| 14   | 532159736 | DECAL                |        |
| 17   | 532140837 | DECAL                |        |
| 21   | 532166286 | DECAL                |        |
| --   | 532138311 | DECAL                |        |
| --   | 532181091 | PLATE                |        |
| --   | 532181090 | PLATE                |        |
| --   | 532182621 | DECAL                |        |
| --   | 532180435 | DECAL                |        |
| --   | 532193820 | OPERATORS MANUAL     |        |
| --   | 532193821 | OPERATORS MANUAL     |        |

ForêtJardin.com

# REPAIR PARTS

TRACTOR- -MODEL NO. CT151 (96061000100) PRODUCT NO. 954 17 02-07  
STEERING ASSEMBLY



| REF. | PART NO.  | DESCRIPTION    | REMARK |
|------|-----------|----------------|--------|
| 1    | 532193651 | STEERING WHEEL |        |
| 2    | 532184706 | SHAFT          |        |
| 3    | 532169840 | SPINDLE        |        |
| 4    | 532169839 | SPINDLE        |        |
| 5    | 532124931 | WASHER         |        |
| 6    | 532121748 | WASHER         |        |
| 8    | 812000029 | RETAINER RING  |        |
| 10   | 532175121 | ROD            |        |
| 11   | 810040600 | WASHER         |        |
| 13   | 532136518 | PIPE           |        |
| 15   | 532145212 | NUT            |        |
| 17   | 532190753 | ROD            |        |
| 29   | 817000612 | SCREW          |        |
| 32   | 532170162 | ROD            |        |
| 33   | 819111216 | WASHER         |        |
| 34   | 810040500 | WASHER         |        |
| 35   | 873540500 | NUT            |        |
| 36   | 532155099 | BUSHING        |        |
| 37   | 532152927 | SCREW          |        |
| 38   | 532193652 | HUB            |        |
| 39   | 819113812 | WASHER         |        |
| 40   | 532124701 | NUT            |        |
| 41   | 532186737 | ADAPTER        |        |
| 42   | 532169634 | SLEEVE         |        |
| 43   | 532121749 | WASHER         |        |
| 44   | 532190752 | SHAFT          |        |
| 46   | 532121232 | HUB CAP        |        |
| 65   | 532160367 | SPACER         |        |
| 67   | 872110618 | BOLT           |        |
| 68   | 532169827 | SHAFT          |        |
| 71   | 532175146 | STEERING GEAR  |        |
| 82   | 532169835 | BRACKET        |        |
| 87   | 532173966 | WASHER         |        |
| 88   | 532175118 | BOLT           |        |
| 91   | 532175553 | SPRING         |        |
| 95   | 532188967 | WASHER         |        |
| 97   | 874780564 | BOLT           |        |

forretjardin.com