

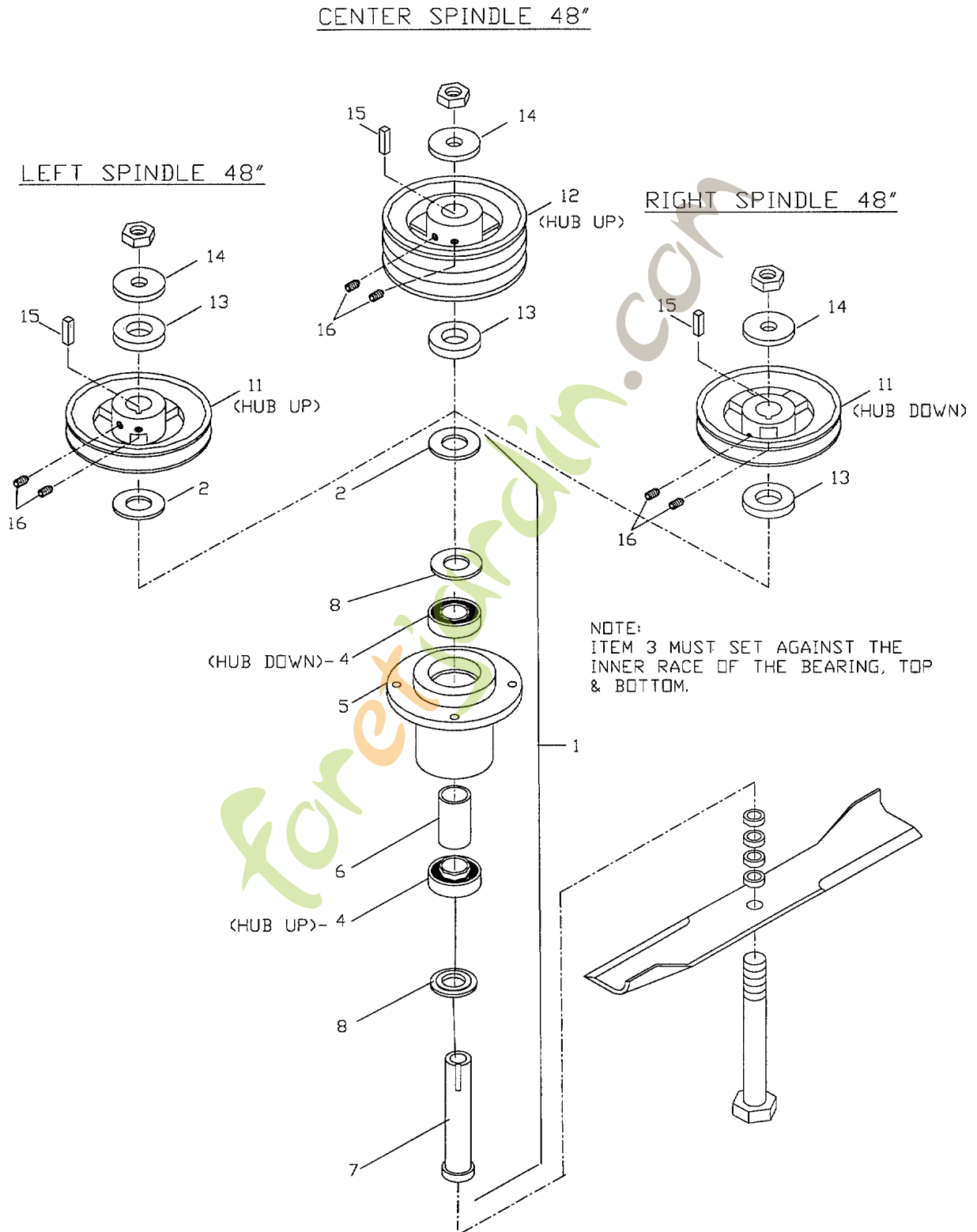


SPARE PARTS LIST

LAWN MOWERS: COMMERCIAL
WALK-BEHINDS

WH4817ETS, 968999123, 2006-02

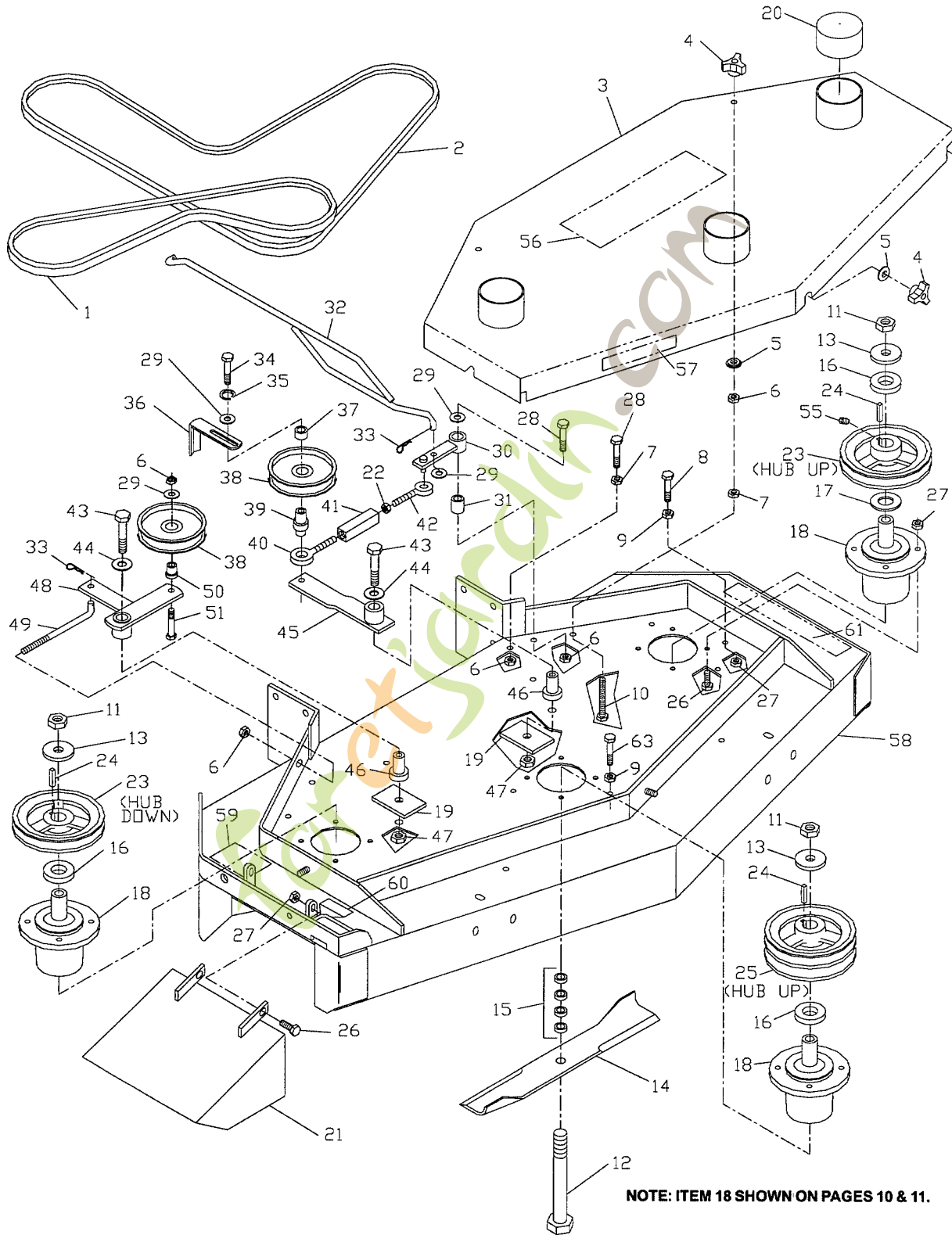
Cutter Housing Assemblies



| Référence | Numéro de Pièce | Description | Remarque | QTÉ Kit équipement |
|-----------|-----------------|-----------------------|----------|--------------------|
| 1 | 539 10 24-40 | CARTER COMPLET | | 1 |
| 2 | 539 10 26-75 | DOUILLE | | 1 |
| 4 | 539 10 26-77 | ROULEMENT | | 2 |
| 5 | 539 10 26-73 | CARTER | | 1 |
| 6 | 539 10 26-76 | RONDELLE D'ESPACEMENT | | 1 |
| 7 | 539 10 26-74 | AXE | | 1 |
| 8 | 539 10 72-72 | RONDELLE D'ESPACEMENT | | 2 |
| 11 | 539 97 63-98 | PULLEY W/SETSCREWS | | 1 |
| 12 | 539 10 18-19 | PULLEY, DOUBLE W/SETS | | 1 |
| 13 | 539 10 22-45 | RONDELLE D'ESPACEMENT | | 1 |
| 14 | 539 10 22-43 | RONDELLE | | 1 |
| 15 | 539 10 19-95 | TOUCHE | | 1 |
| 16 | 539 97 69-56 | VIS | | 2 |

Foretjardin.com

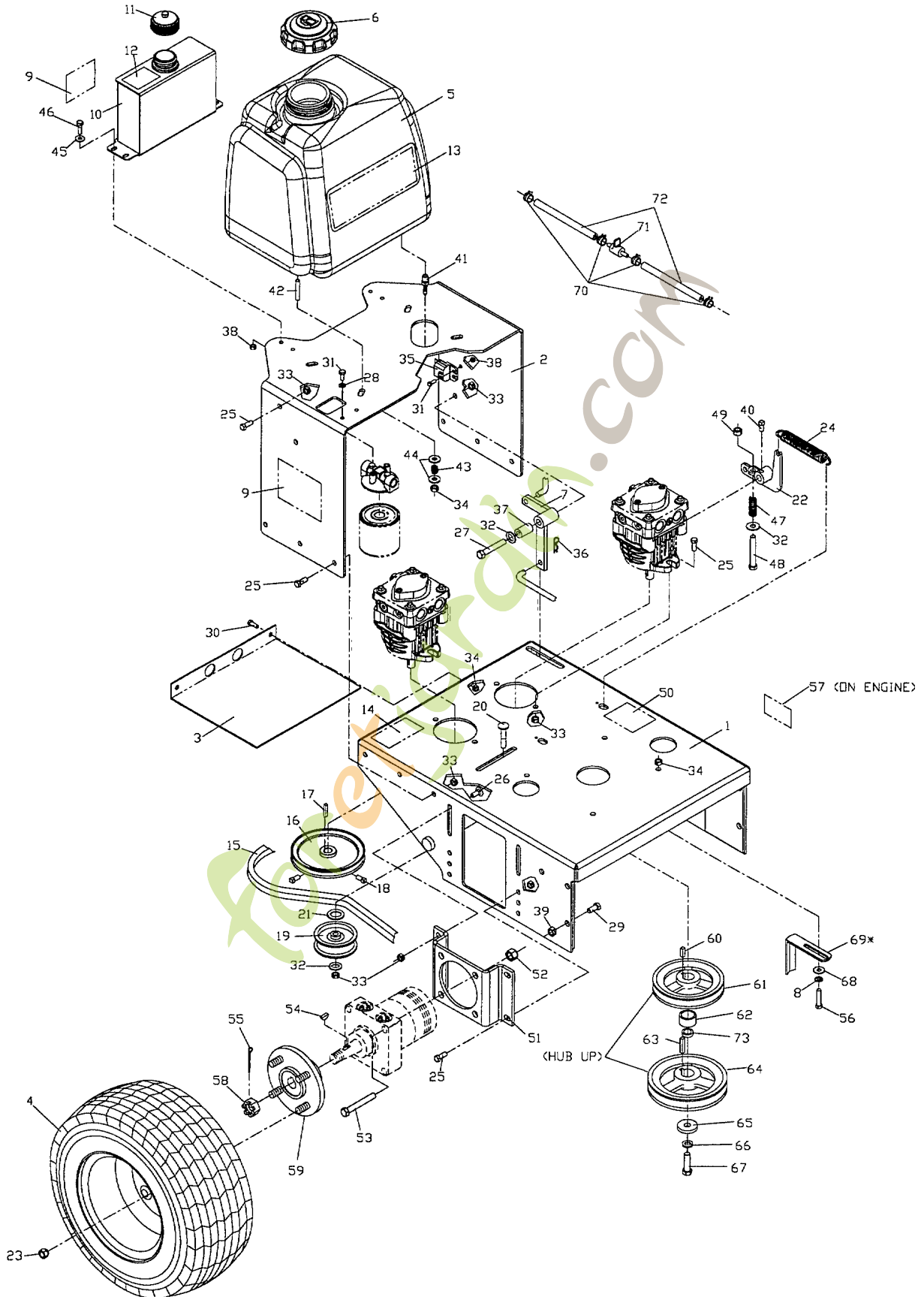
48" Front Deck Assembly



NOTE: ITEM 18 SHOWN ON PAGES 10 & 11.

| Référence | Numéro de Pièce | Description | Remarque | QTÉ Kit équipement |
|-----------|-----------------|-----------------------|----------|--------------------|
| 1 | 539 10 00-24 | BELT, AUX BLADE | | 1 |
| 2 | 539 10 19-58 | BELT, BLADE, 48 | | 1 |
| 3 | 539 10 45-62 | BELT SHIELD 48" | | 1 |
| 4 | 539 10 20-70 | KNOB, THREE PRONG | | 5 |
| 5 | 539 10 20-56 | RONDELLE | | 5 |
| 6 | 539 99 05-46 | ÉCROU | | 6 |
| 7 | 539 99 06-13 | ÉCROU | | 6 |
| 8 | 539 99 05-53 | HCS 5/16 X 3 | | 4 |
| 9 | 539 99 05-85 | ÉCROU | | 7 |
| 10 | 539 10 23-34 | TAPBOLT 3/8C X 4 1/2 | | 2 |
| 11 | 539 97 69-80 | NUT 5/8F HEX | | 3 |
| 12 | 539 10 23-32 | HCS 5/8F X 8 1/2 | | 2 |
| 539101100 | 539 10 11-00 | HCS 5/8F X 9 | | 1 |
| 13 | 539 10 65-04 | RONDELLE | | 3 |
| 14 | 539 10 03-40 | RIDE ON BLADE | | 3 |
| 15 | 539 97 64-36 | BLADE SPACERS | | 12 |
| 16 | 539 10 22-45 | RONDELLE D'ESPACEMENT | | 3 |
| 17 | 539 10 26-75 | DOUILLE | | 1 |
| 18 | 539 10 24-40 | CARTER COMPLET | | 3 |
| 19 | 539 10 22-36 | PLAQUE | | 2 |
| 20 | 539 10 23-20 | TUBE CAP | | 3 |
| 21 | 539 10 45-46 | DEFLECTOR CHUTE | | 1 |
| 22 | 539 99 01-96 | ÉCROU | | 1 |
| 23 | 539 97 63-98 | PULLEY W/SETSCREWS | | 2 |
| 24 | 539 10 19-95 | TOUCHE | | 3 |
| 25 | 539 10 18-19 | PULLEY, DOUBLE W/SETS | | 1 |
| 26 | 539 99 02-09 | VIS | | 14 |
| 27 | 539 99 01-84 | ÉCROU | | 21 |
| 28 | 539 99 06-29 | VIS | | 2 |
| 29 | 539 99 05-17 | RONDELLE | | 4 |
| 30 | 539 10 19-79 | ENGAGEMENT ARM | | 1 |
| 31 | 539 10 18-36 | DOUILLE | | 1 |
| 32 | 539 10 20-31 | BLADE ROD 48" | | 1 |
| 33 | 539 97 69-88 | GOUPILLE | | 2 |
| 34 | 539 99 06-37 | VIS | | 1 |
| 35 | 539 99 01-18 | RONDELLE | | 1 |
| 36 | 539 10 00-75 | SNUBBER | | 1 |
| 37 | 539 10 26-56 | RONDELLE D'ESPACEMENT | | 1 |
| 38 | 539 97 66-88 | POULIE | | 2 |
| 39 | 539 10 19-80 | EYEBOLT PIVOT | | 1 |
| 40 | 539 10 19-81 | EYEBOLT, LH | | 1 |
| 41 | 539 10 19-83 | TURNBUCKLE | | 1 |
| 42 | 539 10 19-82 | BOULON | | 1 |
| 43 | 539 10 13-32 | VIS | | 2 |
| 44 | 539 99 05-50 | RONDELLE | | 3 |
| 45 | 539 10 19-78 | ARM WELDMENT | | 1 |
| 46 | 539 10 12-31 | AXE | | 2 |
| 47 | 539 10 13-31 | ÉCROU | | 2 |
| 48 | 539 10 22-37 | IDLER ARM, AUX. | | 1 |
| 49 | 539 10 23-37 | BARRE | | 1 |
| 50 | 539 97 66-95 | DOUILLE | | 1 |
| 51 | 539 99 07-30 | VIS | | 1 |
| 52 | 539 10 11-75 | VIS | | 6 |
| 53 | 539 99 02-47 | RONDELLE | | 6 |
| 54 | 539 99 04-49 | NUT 7/16C HEX | | 6 |
| 55 | 539 97 69-56 | VIS | | 6 |
| 56 | 539 10 47-90 | DECAL | | 1 |
| 57 | 539 10 50-71 | DECAL | | 1 |
| 58 | 539 10 45-64 | DECAL | | 1 |
| 59 | 539 10 57-46 | DECAL | | 1 |
| 60 | 539 91 30-10 | DECAL | | 1 |
| 63 | 539 10 23-35 | BOULON | | 3 |
| 64 | 539 10 65-99 | DECAL | | 1 |

Power Unit Assembly



ENTRAINEMENT

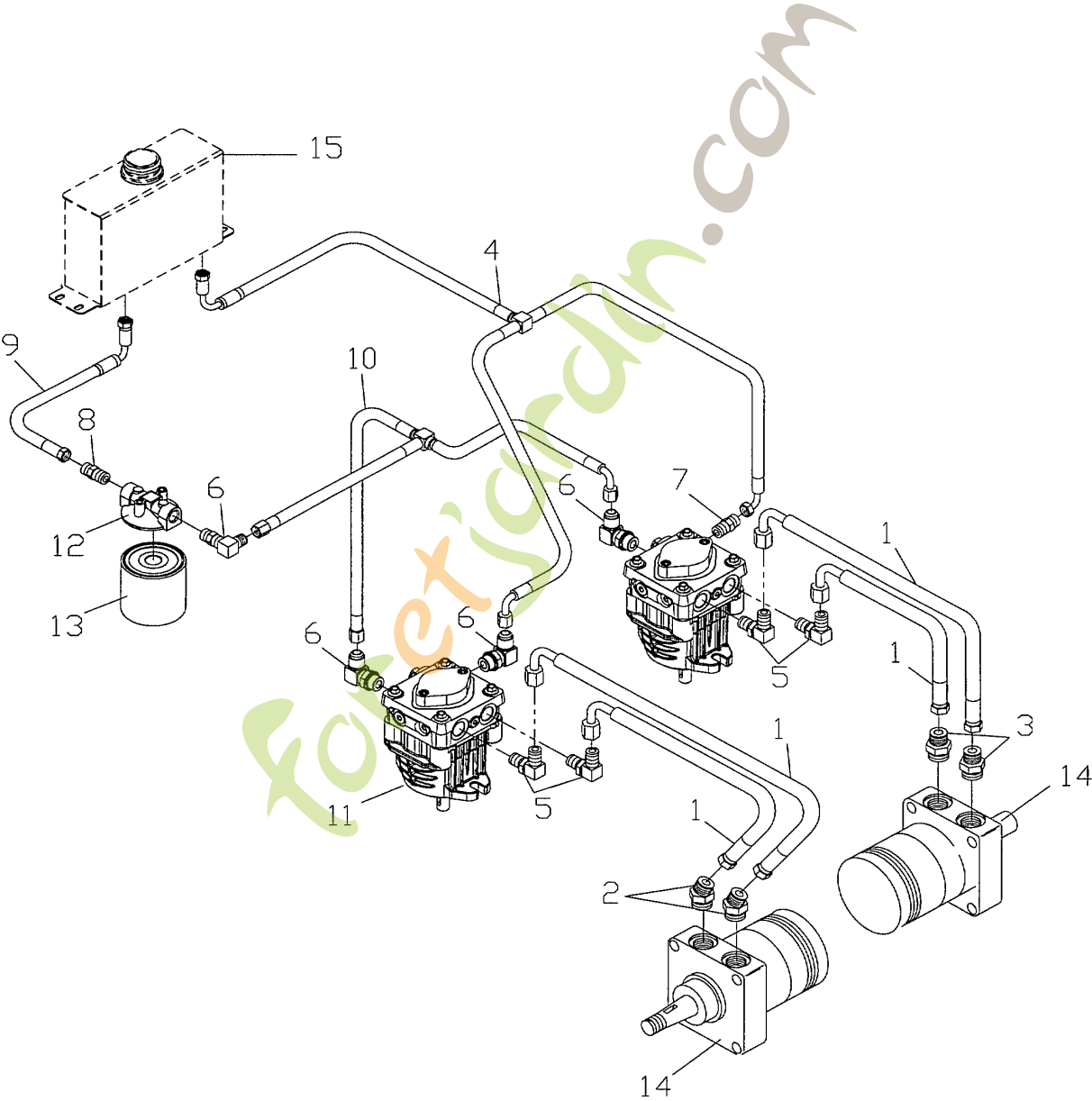
WH4817ETS, 968999123, 2006-02

| Référence | Numéro de Pièce | Description | Remarque | QTÉ Kit équipement |
|-----------|-----------------|-------------------------|----------|--------------------|
| 1 | 539 10 65-60 | DECAL | | 1 |
| 2 | 539 10 59-22 | SUPPORT | | 1 |
| 3 | 539 10 45-47 | SUPPORT | | 1 |
| 4 | 539 10 45-53 | WHEEL. COMPLETE | | 2 |
| 539101548 | 539 10 15-48 | PNEU | | 2 |
| 539104628 | 539 10 46-28 | ROUE | | 2 |
| 539912234 | 539 91 22-34 | SOUPAPE | | 2 |
| 5 | 539 10 56-30 | RÉSERVOIR À ESSENCE | | 1 |
| 6 | 539 10 61-88 | BOUCHON DE RESERVOIR | | 1 |
| 7 | 539 10 34-61 | BARRE | | 1 |
| 8 | 539 99 01-87 | RONDELLE | | 4 |
| 9 | 539 10 47-89 | DECAL | | 3 |
| 10 | 539 10 59-85 | RÉSERVOIR D'HUILE | | 1 |
| 11 | 539 10 12-02 | CARTER | | 1 |
| 12 | 539 10 53-01 | DECAL | | 1 |
| 13 | 539 10 47-92 | DECAL | | 1 |
| 14 | 539 10 57-44 | DECAL | | 1 |
| 15 | 539 10 12-28 | COURROIE TRANSMISSION | | 1 |
| 16 | 539 10 22-28 | POULIE | | 2 |
| 17 | 539 10 11-77 | TOUCHE | | 2 |
| 18 | 539 10 27-17 | VIS | | 4 |
| 19 | 539 91 90-78 | POULIE | | 1 |
| 20 | 539 10 01-45 | RHSNB 3/8C X 2 | | 1 |
| 21 | 539 99 05-50 | RONDELLE | | 1 |
| 22 | 539 10 59-13 | PUMP ARM WELDMENT | | 2 |
| 23 | 539 10 11-73 | ÉCROU | | 8 |
| 24 | 539 91 61-59 | CLAVETTE | | 2 |
| 25 | 539 99 05-63 | VIS | | 16 |
| 26 | 539 99 06-45 | RHSNB 3/8C X 1 | | 4 |
| 27 | 539 99 05-88 | VIS | | 1 |
| 28 | 539 99 00-52 | RONDELLE | | 2 |
| 29 | 539 10 01-43 | VIS | | 6 |
| 30 | 539 97 69-34 | VIS | | 2 |
| 31 | 539 99 00-72 | VIS | | 2 |
| 32 | 539 99 05-17 | RONDELLE | | 4 |
| 33 | 539 99 05-46 | ÉCROU | | 22 |
| 34 | 539 99 01-84 | ÉCROU | | 10 |
| 35 | 539 10 17-81 | MODULE | | 1 |
| 36 | 539 97 69-88 | GOUPILLE | | 1 |
| 37 | 539 10 18-36 | DOUILLE | | 1 |
| 38 | 539 99 07-61 | ÉCROU | | 5 |
| 39 | 539 99 08-39 | ÉCROU | | 6 |
| 40 | 539 10 50-79 | VIS | | 2 |
| 41 | 539 10 26-50 | CONNEXION | | 1 |
| 42 | 539 10 25-02 | GOUJON | | 4 |
| 43 | 539 10 28-45 | RESSORT | | 4 |
| 44 | 539 99 06-92 | RONDELLE | | 8 |
| 45 | 539 99 05-98 | RONDELLE | | 4 |
| 46 | 539 99 05-80 | VIS | | 4 |
| 47 | 539 10 12-24 | RESSORT | | 2 |
| 48 | 539 10 64-92 | HEX SCREW 3/8-20 X 2.75 | | 2 |
| 49 | 539 97 69-79 | ÉCROU | | 2 |
| 50 | 539 10 18-81 | DECAL | | 1 |
| 51 | 539 10 22-20 | MOTOR MOUNT, 48 | | 2 |
| 52 | 539 10 13-31 | ÉCROU | | 8 |
| 53 | 539 10 13-32 | VIS | | 8 |
| 54 | 539 10 14-65 | KEY, #808 WOODRUFF | | 2 |
| 55 | 539 99 02-97 | GOUPILLE FENDUE | | 2 |
| 56 | 539 99 06-69 | VIS | | 4 |
| 57 | 539 10 01-28 | DECAL | | 1 |
| 58 | 539 10 14-68 | ECROU | | 2 |
| 59 | 539 10 11-09 | MOYEU | | 2 |
| 60 | 539 10 20-67 | TOUCHE | | 1 |

| Référence | Numéro de Pièce | Description | Remarque | QTÉ Kit équipement |
|-----------|-----------------|-----------------------|----------|--------------------|
| 61 | 539 10 17-19 | POULIE | | 1 |
| 62 | 539 10 17-20 | RONDELLE D'ESPACEMENT | | 1 |
| 63 | 539 10 19-95 | TOUCHE | | 1 |
| 64 | 539 10 18-34 | POULIE | | 1 |
| 65 | 539 10 65-04 | RONDELLE | | 1 |
| 66 | 539 99 02-47 | RONDELLE | | 1 |
| 67 | 539 10 01-41 | VIS | | 1 |
| 68 | 539 99 06-92 | RONDELLE | | 10 |
| 69 | 539 10 20-36 | GUIDE DE COURROIE | | 1 |
| 539103462 | 539 10 34-62 | GUIDE DE COURROIE | | 2 |
| 70 | 539 91 22-22 | COUVERCLE | | 4 |
| 71 | 539 91 63-25 | FUEL VALVE | | 1 |
| 72 | 539 93 29-56 | GAS LINE 10" | | 2 |
| 73 | 539 10 20-50 | DOUILLE | | 1 |

foretjardin.com

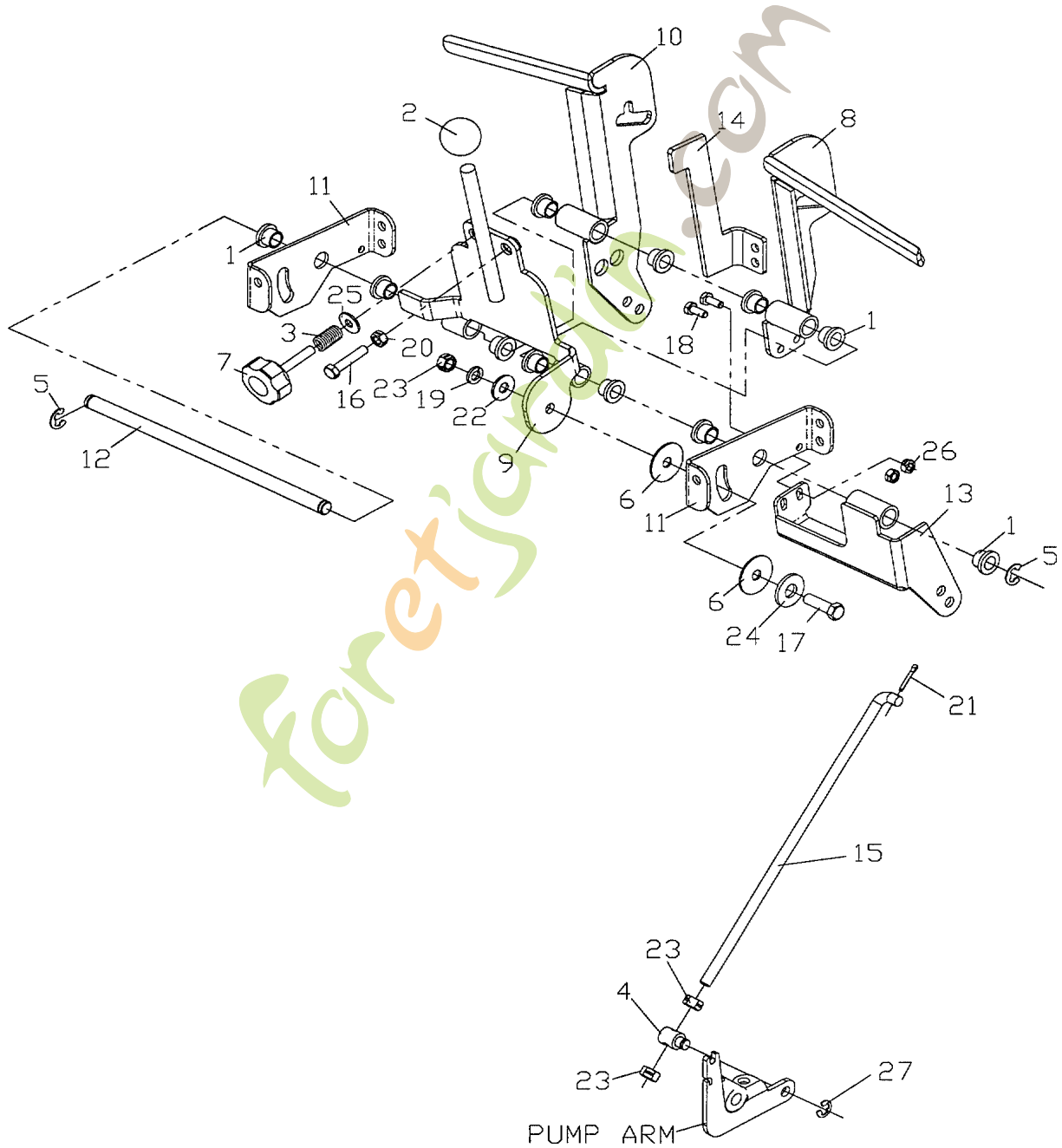
Hydraulic Assembly



| Référence | Numéro de Pièce | Description | Remarque | QTÉ Kit équipement |
|-----------|-----------------|----------------------|----------|--------------------|
| 1 | 539 10 12-45 | HOSE, 1/2" HYDRAULIC | | 4 |
| 2 | 539 10 12-43 | RACCORD D ANGLE | | 2 |
| 3 | 539 10 12-39 | CONNECTEUR | | 2 |
| 4 | 539 10 22-29 | ENTRÉE | | 1 |
| 5 | 539 10 12-42 | RACCORD D ANGLE | | 4 |
| 6 | 539 10 12-38 | CONNEXION | | 4 |
| 7 | 539 10 12-36 | RACCORD | | 1 |
| 8 | 539 10 33-16 | CONNEXION | | 1 |
| 9 | 539 10 12-48 | TUYAU | | 1 |
| 10 | 539 10 22-30 | RETURN TEE HOSE | | 1 |
| 11 | 539 10 82-46 | POMPE | | 2 |
| 12 | 539 10 11-65 | COUVERCLE DE FILTRE | | 1 |
| 13 | 539 10 26-06 | FILTRE | | 1 |
| 14 | 539 10 35-27 | MOTEUR DE ROUE | | 2 |
| 539103664 | 539 10 36-64 | SEAL KIT - GEN I | | 1 |
| 15 | 539 10 59-85 | RÉSERVOIR D'UILE | | 1 |

foretjardin.com

Handle Motion Control Assembly



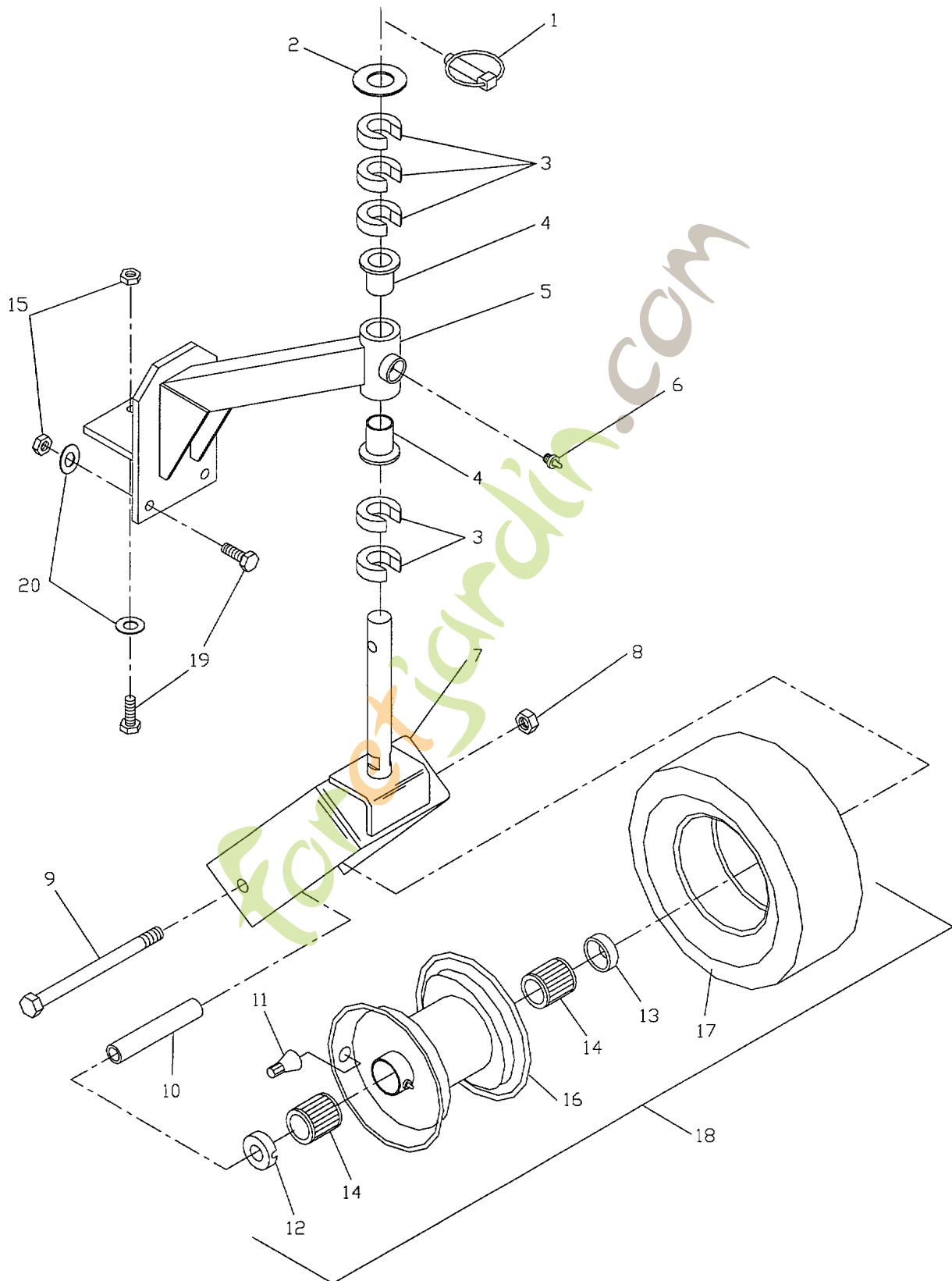
| Référence | Numéro de Pièce | Description | Remarque | QTÉ Kit équipement |
|-----------|-----------------|----------------------|----------|--------------------|
| 1 | 539 10 00-32 | DOUILLE | | 11 |
| 2 | 539 10 01-47 | BOUTON | | 1 |
| 3 | 539 10 12-24 | RESSORT | | 1 |
| 4 | 539 10 19-40 | GOUPILLE | | 2 |
| 5 | 539 10 19-49 | CIRCLIPS | | 2 |
| 6 | 539 10 29-98 | RONDELLE | | 2 |
| 7 | 539 10 30-03 | ROUE | | 1 |
| 8 | 539 10 58-18 | PADDLE - LH | | 1 |
| 9 | 539 10 58-20 | NEUTRAL BAR | | 1 |
| 10 | 539 10 58-24 | PADDLE - RH | | 1 |
| 11 | 539 10 58-30 | SUPPORT | | 2 |
| 12 | 539 10 58-77 | ARBRE | | 1 |
| 13 | 539 10 58-80 | TAB - LH | | 1 |
| 14 | 539 10 59-63 | STOP PLATE | | 1 |
| 15 | 539 10 60-93 | MAILLON ENTRAINEMENT | | 2 |
| 16 | 539 97 69-35 | VIS | | 1 |
| 17 | 539 97 69-41 | VIS | | 1 |
| 18 | 539 99 00-72 | VIS | | 2 |
| 19 | 539 99 01-18 | RONDELLE | | 1 |
| 20 | 539 99 01-84 | ÉCROU | | 1 |
| 21 | 539 99 03-65 | GOUPILLE | | 2 |
| 22 | 539 99 05-17 | RONDELLE | | 1 |
| 23 | 539 99 05-46 | ÉCROU | | 5 |
| 24 | 539 99 05-50 | RONDELLE | | 1 |
| 25 | 539 99 06-92 | RONDELLE | | 1 |
| 26 | 539 99 07-61 | ÉCROU | | 2 |
| 27 | 539 99 08-70 | CIRCLIP | | 2 |

foretjardin.com

| Référence | Numéro de Pièce | Description | Remarque | QTÉ Kit équipement |
|-----------|-----------------|--------------------------|----------|--------------------|
| 1 | 539 10 10-80 | INTERRUPTEUR | | 1 |
| 2 | 539 10 27-32 | TIGE DE COMMANDE | | 1 |
| 3 | 539 10 26-78 | PLAQUE | | 4 |
| 4 | 539 10 29-86 | BLADE LINK | | 1 |
| 5 | 539 10 29-92 | GOUPILLE | | 1 |
| 6 | 539 10 29-98 | RONDELLE | | 1 |
| 7 | 539 10 58-21 | NEUTRAL BAIL | | 1 |
| 8 | 539 10 58-42 | POIGNÉE | | 2 |
| 9 | 539 10 58-34 | OPER LEVER-LH | | 1 |
| 10 | 539 10 66-02 | DECAL | | 1 |
| 11 | 539 10 59-52 | OPER LEVER - RH | | 1 |
| 12 | 539 10 59-95 | SUPPORT | | 1 |
| 13 | 539 10 60-86 | ENGAGEMENT LEVER | | 1 |
| 14 | 539 10 60-89 | BLADE ENGAGEMENT BRACKET | | 1 |
| 15 | 539 91 18-53 | KEY SWITCH, COMPLETE | | 1 |
| 16 | 539 91 20-63 | CONE WASHER | | 1 |
| 17 | 539 91 64-59 | SUPPORT | | 1 |
| 18 | 539 91 90-98 | INTERRUPTEUR | | 1 |
| 19 | 539 92 34-08 | INTERRUPTEUR | | 2 |
| 20 | 539 97 65-26 | POIGNÉE | | 1 |
| 21 | 539 97 69-34 | VIS | | 8 |
| 22 | 539 97 69-52 | VIS | | 8 |
| 23 | 539 97 69-77 | ÉCROU | | 2 |
| 24 | 539 97 69-79 | ÉCROU | | 1 |
| 25 | 539 97 72-50 | RESSORT | | 2 |
| 26 | 539 99 00-72 | VIS | | 2 |
| 27 | 539 99 01-18 | RONDELLE | | 1 |
| 28 | 539 99 01-84 | ÉCROU | | 8 |
| 29 | 539 99 04-11 | VIS | | 2 |
| 30 | 539 99 05-17 | RONDELLE | | 2 |
| 31 | 539 99 05-46 | ÉCROU | | 10 |
| 32 | 539 99 05-63 | VIS | | 6 |
| 33 | 539 99 05-98 | RONDELLE | | 2 |
| 34 | 539 99 06-55 | VIS | | 1 |
| 35 | 539 99 07-61 | ÉCROU | | 2 |
| 36 | 539 99 08-70 | CIRCLIP | | 1 |
| 37 | 539 10 65-99 | DECAL | | 3 |

foretjardin.com

Front Caster Assembly



| Référence | Numéro de Pièce | Description | Remarque | QTÉ Kit équipement |
|-----------|-----------------|-----------------------------|----------|--------------------|
| 1 | 539 10 18-74 | LYNCH PIN 7/16 | | 1 |
| 2 | 539 91 65-61 | MACHINE BUSHING | | 1 |
| 3 | 539 10 18-73 | C-SPACER | | 5 |
| 4 | 539 10 12-32 | DOUILLE | | 2 |
| 5 | 539 10 45-55 | CASTER ARM W/BUSHING | | 1 |
| 6 | 539 97 69-97 | RACCORD | | 1 |
| 7 | 539 10 45-54 | CASTER YOKE | | 1 |
| 8 | 539 10 13-31 | ÉCROU | | 1 |
| 9 | 539 10 19-07 | VIS | | 1 |
| 10 | 539 10 18-72 | RONDELLE D'ESPACEMENT | | 1 |
| 11 | 539 91 22-34 | SOUPAPE | | 1 |
| 12 | 539 97 73-56 | ENDCAP, NOTCHED | | 1 |
| 13 | 539 92 35-57 | ENDCAP | | 1 |
| 14 | 539 97 73-53 | ROULEMENT À BILLES | | 2 |
| 15 | 539 99 05-46 | ÉCROU | | 3 |
| 16 | 539 10 46-18 | JANTE | | 1 |
| 17 | 539 10 19-05 | TIRE, 9" | | 1 |
| 18 | 539 10 45-56 | TIRE & WHEEL ASSEMBLY | | 1 |
| 19 | 539 99 05-63 | VIS | | 3 |
| 20 | 539 99 05-17 | RONDELLE | | 3 |
| 21 | 539 10 45-59 | WHEEL CASTER ASM KIT, FRONT | | 1 |

Foretjardin.com