



SPARE PARTS LIST

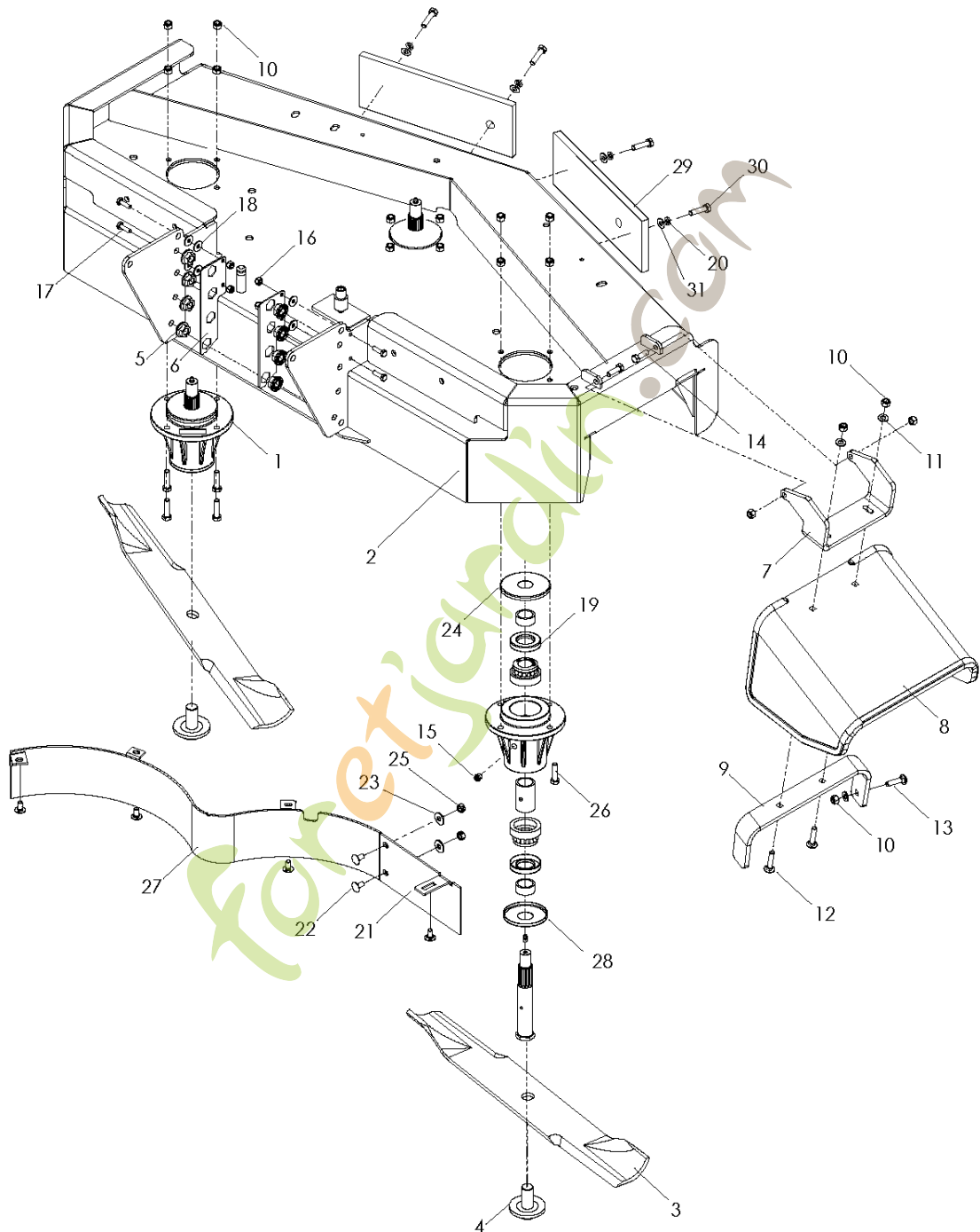
LAWN MOWERS: COMMERCIAL
WALK-BEHINDS

WH4817 966947002, 2008-08

Foretwin.com

48" MOWER DECK

Lower Deck



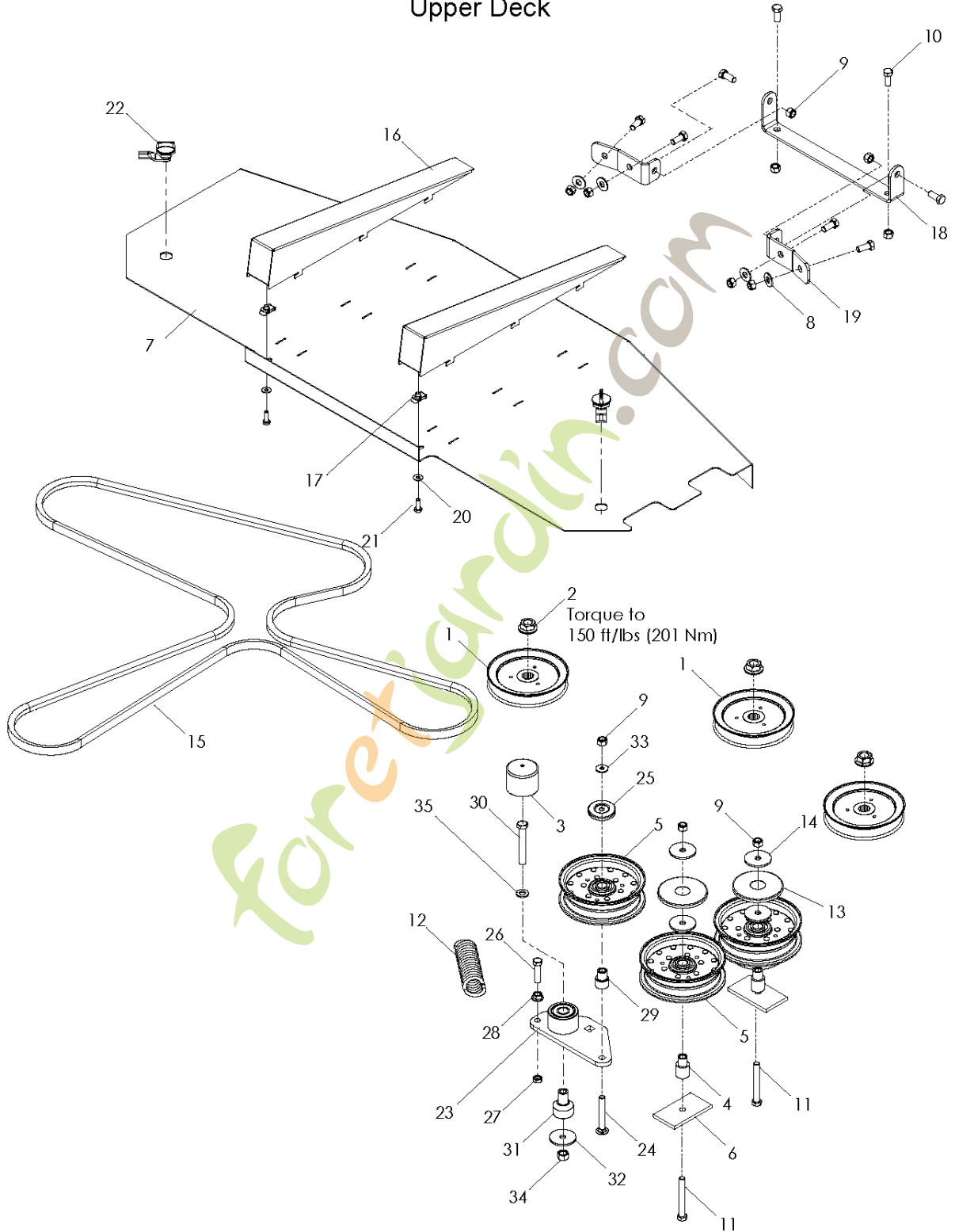
Torque to
90 ft/lbs (122 Nm)

| Référence | Numéro de Pièce | Description | Remarque | QTÉ Kit équipement |
|-----------|-----------------|-------------------------------|----------|--------------------|
| 1 | 539 13 13-85 | HOUSING ASM. 72 | | 3 |
| 2 | 522 47 83-01 | MAILLON DE COUPE | | 1 |
| 3 | 539 10 03-40 | RIDE ON BLADE | | 3 |
| 4 | 539 11 90-07 | BLADE BOLT/WASHER | | 3 |
| 5 | 506 11 35-01 | ÉCROU BRIDE | | 7 |
| 6 | 539 13 25-92 | PLATE NUT - PAINTED | | 2 |
| 7 | 539 13 25-83 | CHARNIÈRE | | 1 |
| 8 | 539 13 09-03 | CHUTE. RUBBER DISCHARGE WB | | 1 |
| 9 | 539 13 09-22 | BRKT. REINF-CHUTE WB | | 1 |
| 10 | 539 99 07-17 | ÉCROU | | 17 |
| 11 | 539 99 01-88 | RONDELLE | | 3 |
| 12 | 539 10 29-33 | RHSNB 5/16-18 X 1-1/2 GR 5 ZD | | 2 |
| 13 | 539 10 04-72 | VIS | | 1 |
| 14 | 539 99 02-09 | VIS | | 2 |
| 15 | 539 10 14-74 | RACCORD | | 3 |
| 16 | 539 97 69-78 | ÉCROU | | 4 |
| 17 | 539 99 06-43 | HCS 1/4-20X7/8 GR5 | | 4 |
| 18 | 539 99 05-98 | RONDELLE | | 8 |
| 19 | 539 10 87-54 | BAGUE D'ETANCHEITE | | 6 |
| 20 | 539 99 02-54 | RONDELLE | | 4 |
| 21 | 539 10 54-44 | DISQUE | | 1 |
| 22 | 539 99 07-99 | BOULON | | 6 |
| 23 | 539 99 06-92 | RONDELLE | | 2 |
| 24 | 539 10 84-50 | ENJOLIVEUR | | 3 |
| 25 | 539 99 01-84 | ÉCROU | | 6 |
| 26 | 539 99 06-27 | VIS | | 8 |
| 27 | 510 28 32-02 | PLAQUE | | 1 |
| 28 | 539 10 84-49 | ENJOLIVEUR | | 3 |
| 29 | 522 00 05-02 | POIDS | | 2 |
| 30 | 539 10 83-74 | HCS 1/2-13 X 1-1/2 GR 5 ZD | | 4 |
| 31 | 539 99 02-50 | RONDELLE | | 4 |

Foretjardin.com

48" MOWER DECK

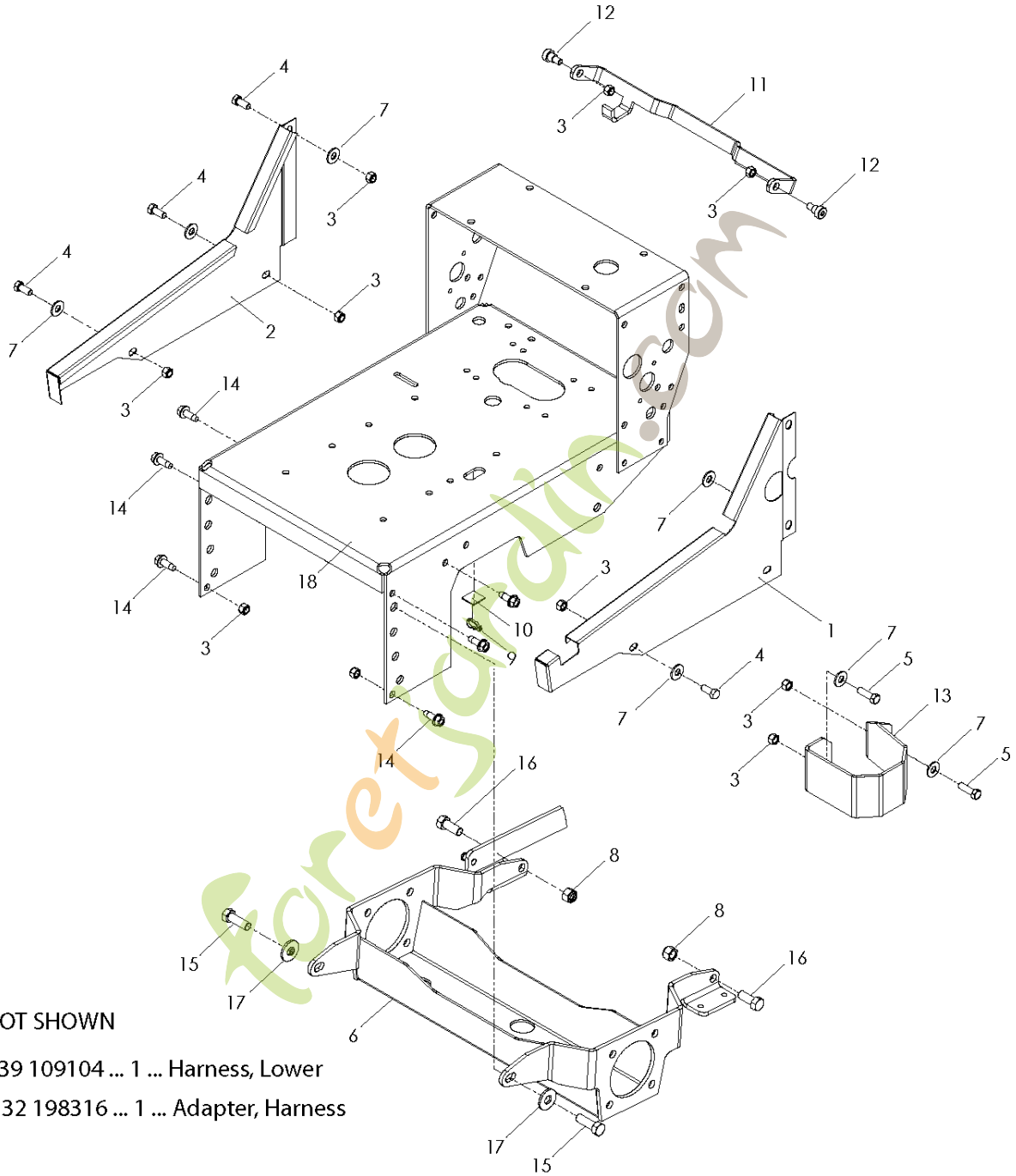
Upper Deck



| Référence | Numéro de Pièce | Description | Remarque | QTÉ Kit équipement |
|-----------|-----------------|--------------------------------|----------|--------------------|
| 1 | 522 02 37-01 | POULIE | | 3 |
| 2 | 539 13 06-53 | NUT - FLANGE 3/4-16 | | 3 |
| 3 | 539 11 48-23 | CAPUCHON | | 1 |
| 4 | 539 10 32-95 | DOUILLE | | 1 |
| 5 | 539 10 32-57 | POULIE | | 1 |
| 6 | 539 10 33-03 | RONDELLE D'ESPACEMENT | | 2 |
| 7 | 505 29 02-02 | CARTER | | 1 |
| 8 | 539 99 05-17 | RONDELLE | | 4 |
| 9 | 539 97 69-79 | ÉCROU | | 18 |
| 10 | 539 10 85-07 | HCS 3/8-16 X 7/8 GR 5 ZD | | 16 |
| 11 | 539 10 13-41 | VIS | | 2 |
| 12 | 539 11 06-55 | RESSORT | | 1 |
| 13 | 539 10 84-50 | ENJOLIVEUR | | 2 |
| 14 | 539 11 18-97 | WASHER, 3/8, SPEC | | 4 |
| 15 | 539 10 92-44 | DECK BELT 42" | | 1 |
| 16 | 505 29 04-02 | CLAVETTE | | 2 |
| 17 | 539 11 08-13 | SUPPORT | | 2 |
| 18 | 539 13 25-81 | CHARNIÈRE | | 2 |
| 19 | 539 13 25-79 | BASE HINGE - PAINTED | | 1 |
| 20 | 539 99 00-55 | WASHER 1/4 SAE | | 2 |
| 21 | 539 99 05-80 | VIS | | 2 |
| 22 | 510 12 67-01 | CLIQUET DE VERROUILLAGE | | 2 |
| 23 | 539 13 03-91 | ARM, IDLER - W/BEARINGS | | 1 |
| 24 | 539 13 02-35 | RHSNB 3/8-16 X 2.75 GR5 ZD | | 1 |
| 25 | 510 25 45-01 | ÉCRAN | | 1 |
| 26 | 539 10 70-42 | HCS 3/8-16 X 1-1/2 - DROP SHIP | | 1 |
| 27 | 539 10 93-32 | ECROU | | 1 |
| 28 | 539 99 06-13 | ÉCROU | | 1 |
| 29 | 539 13 02-42 | BUSHING, IDLER | | 1 |
| 30 | 539 10 34-33 | VIS | | 1 |
| 31 | 510 20 63-01 | PIVOT | | 1 |
| 32 | 539 10 22-43 | RONDELLE | | 1 |
| 33 | 522 02 34-01 | RONDELLE | | 1 |
| 34 | 539 10 13-31 | ÉCROU | | 1 |
| 35 | 539 11 55-28 | 1/2` CONTACT BELLSPR | | 1 |

forexgarden.com

FRAME



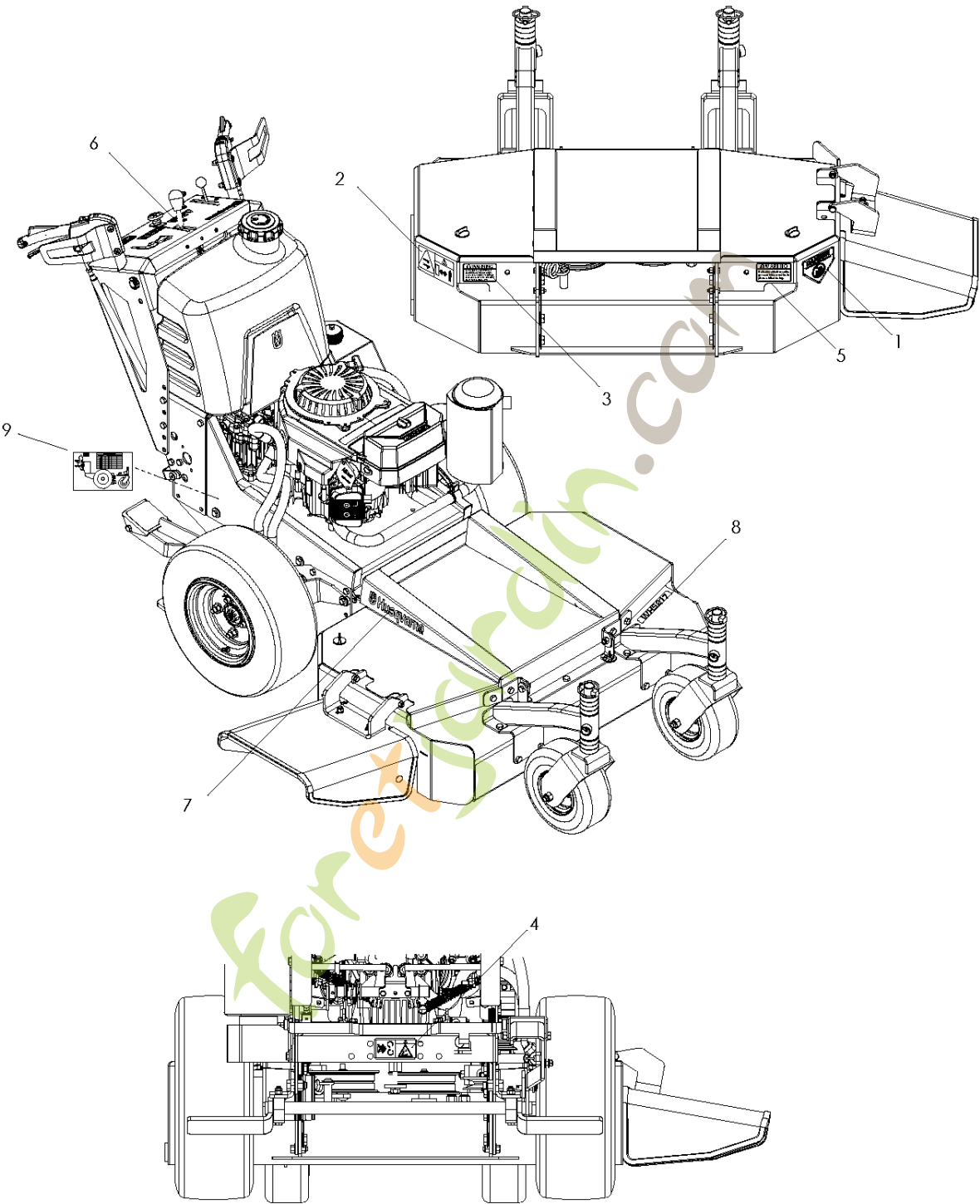
CHASSIS

WH4817 966947002, 2008-08

| Référence | Numéro de Pièce | Description | Remarque | QTÉ Kit équipement |
|-----------|-----------------|----------------------------|-----------|--------------------|
| 1 | 539 13 25-58 | PANEL - SIDE RH PAINTED | | 1 |
| 2 | 539 13 25-60 | PANEL - SIDE LH PAINTED | | 1 |
| 3 | 539 97 69-79 | ÉCROU | | 14 |
| 4 | 539 10 85-07 | HCS 3/8-16 X 7/8 GR 5 ZD | | 11 |
| 5 | 539 97 69-41 | VIS | | 4 |
| 7 | 539 99 05-17 | RONDELLE | | 8 |
| 8 | 539 10 13-31 | ÉCROU | | 2 |
| 9 | 539 97 68-56 | SUPPORT | | 2 |
| 10 | 539 11 08-63 | MOUNTING BLOCK CABLE TIE | | 1 |
| 11 | 539 13 25-56 | BAR THROW OUT. PAINTED | | 1 |
| 12 | 539 11 36-21 | SB 3/8-16 X 3/8 SKT HD ZD | | 2 |
| 13 | 505 18 90-02 | PROTECTEUR | | 1 |
| 14 | 539 10 74-76 | BOULON | | 6 |
| 15 | 539 10 83-74 | HCS 1/2-13 X 1-1/2 GR 5 ZD | | 2 |
| 16 | 539 10 83-69 | HCS 1/2-13 X 1-1/4 GR 5 ZD | | 2 |
| 17 | 539 10 95-54 | RONDELLE | | 2 |
| 18 | 522 47 80-01 | CHÂSSIS DU MOTEUR | | 1 |
| -- | 539 10 91-04 | LOWER HARNESS | NOT SHOWN | 1 |
| -- | 532 19 83-16 | PIGTAIL.MATNLK.OLD.HARN | NOT SHOWN | 1 |

Foretjardin.com

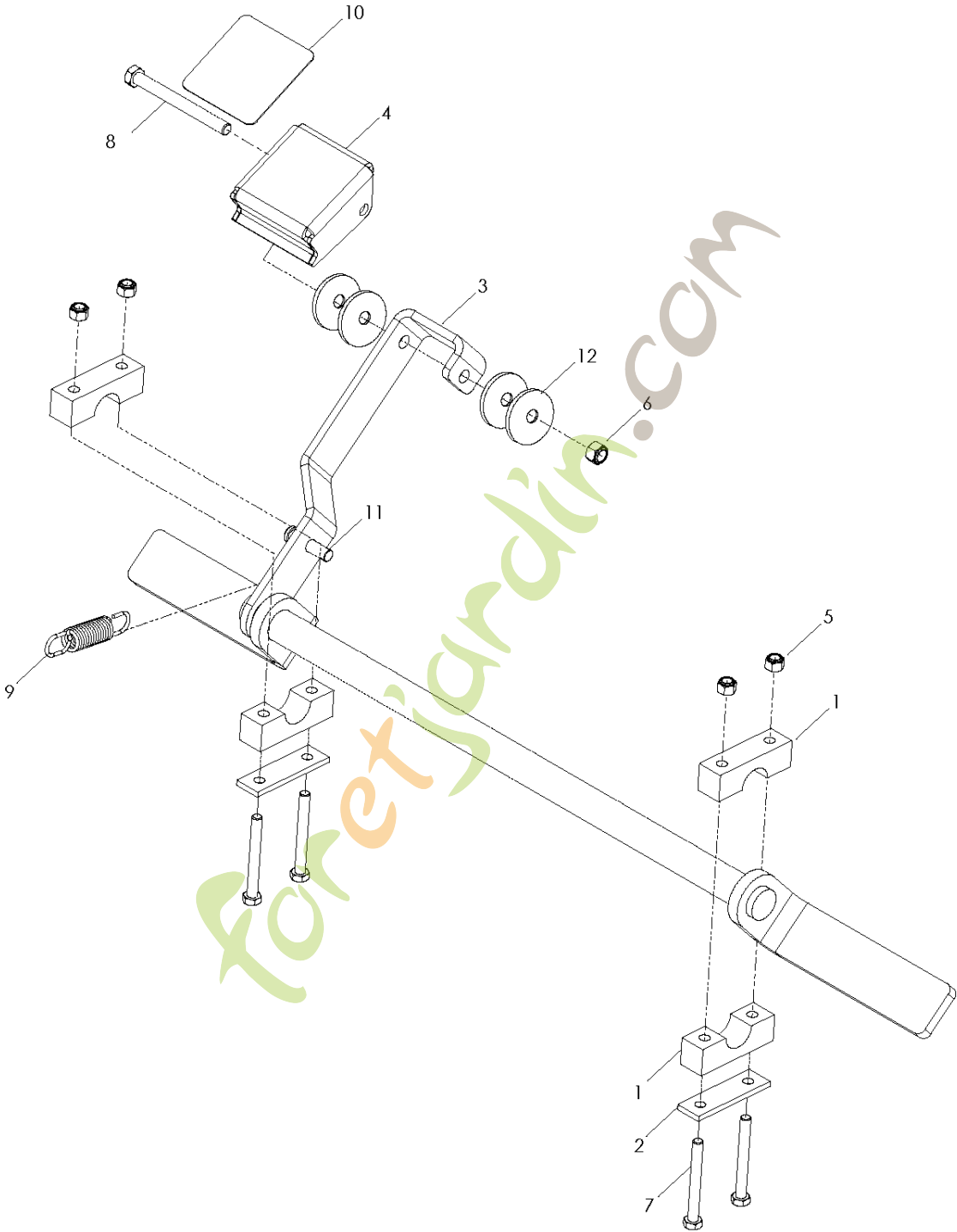
DECALS



| Référence | Numéro de Pièce | Description | Remarque | QTÉ Kit équipement |
|-----------|-----------------|-------------|-----------|--------------------|
| 1 | 539 91 30-10 | DECAL | | 1 |
| 2 | 539 10 57-46 | DECAL | | 1 |
| 3 | 539 10 18-81 | DECAL | | 1 |
| 4 | 539 10 57-44 | DECAL | | 1 |
| 5 | 539 11 32-24 | DECAL | | 1 |
| 6 | 520 28 26-01 | DECAL | | 1 |
| 7 | 532 42 20-12 | DECAL | | 2 |
| 8 | 532 42 20-11 | DECAL | | 1 |
| 9 | 521 93 37-01 | DECAL | | 1 |
| 10 | 520 28 23-01 | DECAL | NOT SHOWN | 1 |

foretjardin.com

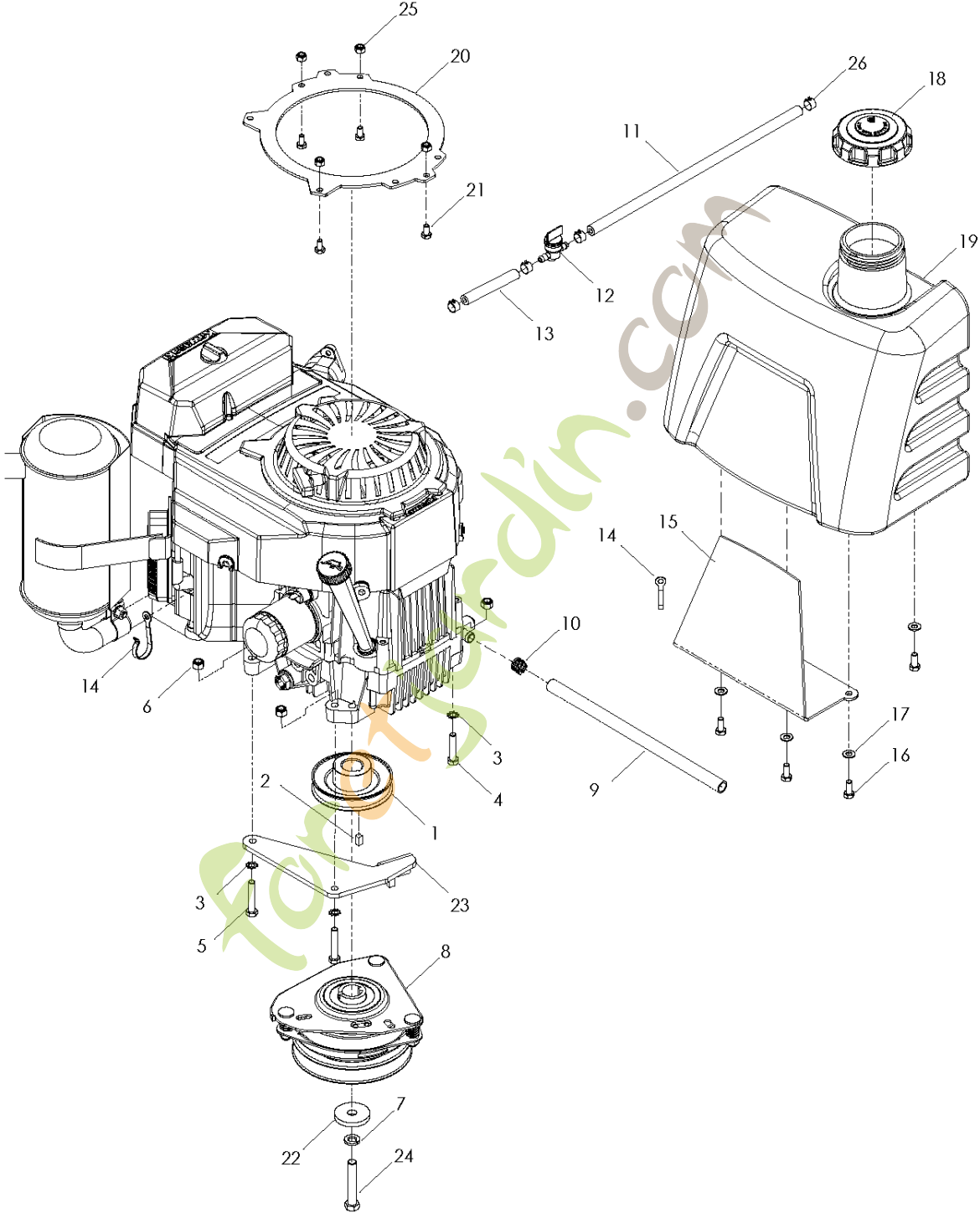
PARKING BRAKE



| Référence | Numéro de Pièce | Description | Remarque | Qté Kit équipement |
|-----------|-----------------|---------------------------|----------|--------------------|
| 1 | 539 10 48-08 | SUPPORT | | 4 |
| 2 | 539 10 48-07 | PLAQUE | | 2 |
| 4 | 510 28 34-02 | CAOUTCHOUC DE PÉDALE | | 1 |
| 5 | 539 99 07-17 | ÉCROU | | 4 |
| 6 | 539 97 69-79 | ÉCROU | | 1 |
| 7 | 539 10 17-21 | VIS | | 4 |
| 8 | 539 99 11-26 | HCS 3/8-16 X 3-3/4 GR5 ZD | | 1 |
| 9 | 510 13 63-01 | RESSORT | | 1 |
| 10 | 539 10 51-87 | PLAQUE | | 1 |
| 11 | 539 10 24-55 | GOUPILLE | | 1 |
| 12 | 539 10 29-98 | RONDELLE | | 4 |

Forêtjardin.com

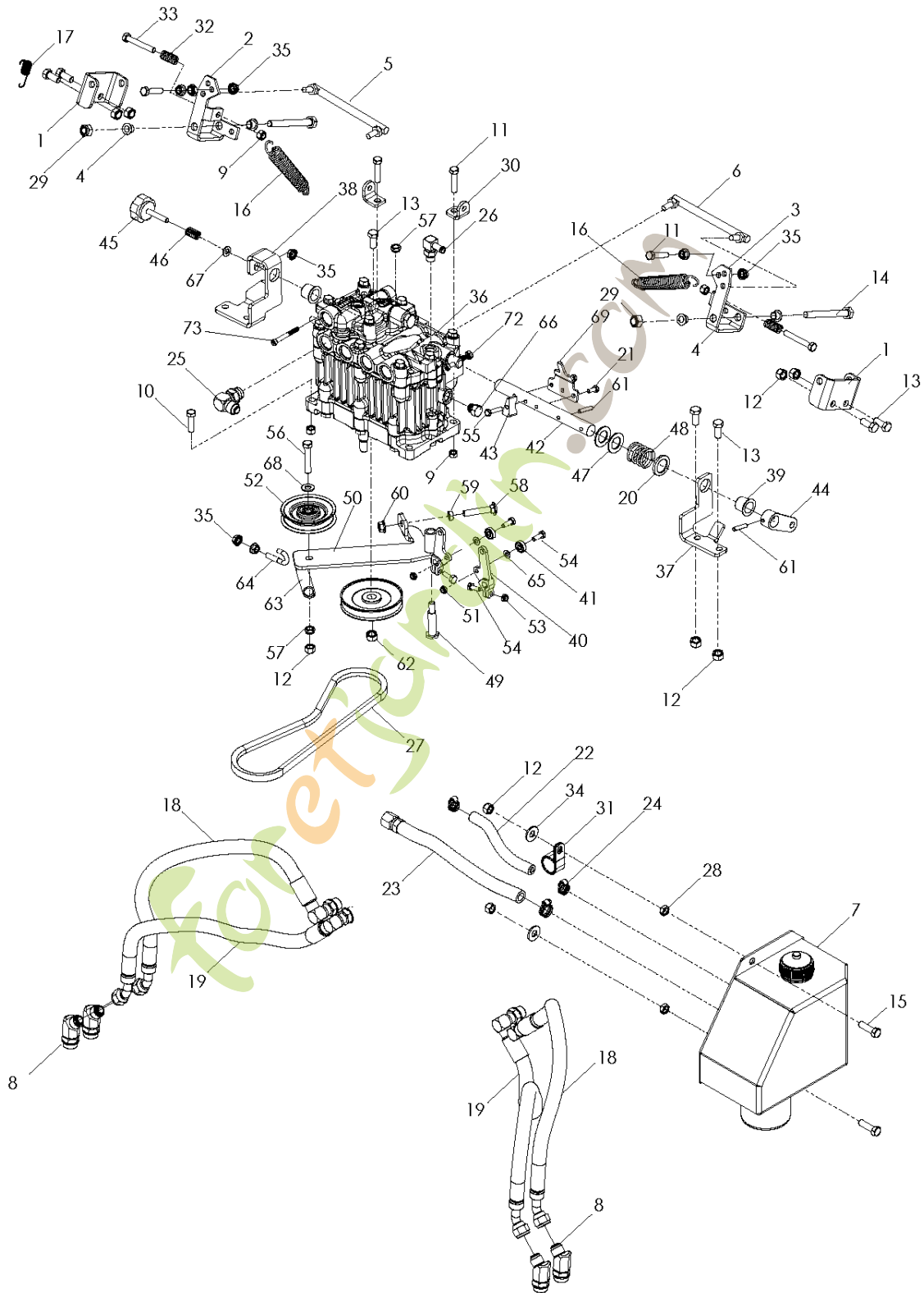
ENGINE



| Référence | Numéro de Pièce | Description | Remarque | QTÉ Kit équipement |
|-----------|-----------------|-------------------------|----------|--------------------|
| 1 | 539 13 25-25 | PULLEY - ENGINE | | 1 |
| 2 | 539 10 57-18 | SQUARE KEY - 1/4 X .5 | | 1 |
| 3 | 539 10 95-56 | WASHER 5/16 EXT STAR LK | | 4 |
| 4 | 539 97 69-35 | VIS | | 2 |
| 5 | 539 99 06-69 | VIS | | 2 |
| 6 | 539 99 07-17 | ÉCROU | | 4 |
| 7 | 539 99 02-47 | RONDELLE | | 1 |
| 8 | 532 40 00-08 | CLUTCH.ELECTRIC.LT.48** | | 1 |
| 9 | 539 10 79-37 | TUYAU | | 1 |
| 10 | 539 97 69-66 | COUVERCLE | | 4 |
| 11 | 539 10 82-12 | TUYAU | | 1 |
| 12 | 539 91 63-25 | FUEL VALVE | | 1 |
| 13 | 505 21 51-01 | TUYAU | | 1 |
| 14 | 539 10 70-98 | COUVERCLE | | 2 |
| 15 | 539 13 26-33 | PLATE ID. ORANGE | | 1 |
| 16 | 539 97 69-34 | VIS | | 4 |
| 17 | 539 99 01-88 | RONDELLE | | 4 |
| 18 | 539 10 61-88 | BOUCHON DE RESERVOIR | | 1 |
| 19 | 539 13 25-49 | RÉSERVOIR À ESSENCE | | 1 |
| 20 | 539 13 25-48 | ADAPTER - RECOIL | | 1 |
| 21 | 539 99 00-71 | HCS ~-20 X « GR 5 ZD | | 4 |
| 22 | 539 10 65-04 | RONDELLE | | 1 |
| 23 | 539 13 25-27 | CLUTCH STOP | | 1 |
| 24 | 539 99 11-20 | VIS | | 1 |
| 25 | 539 97 69-78 | ÉCROU | | 4 |
| 26 | 539 91 22-22 | COUVERCLE | | 3 |

foretjardin.com

HYDRO PUMP-MOTOR

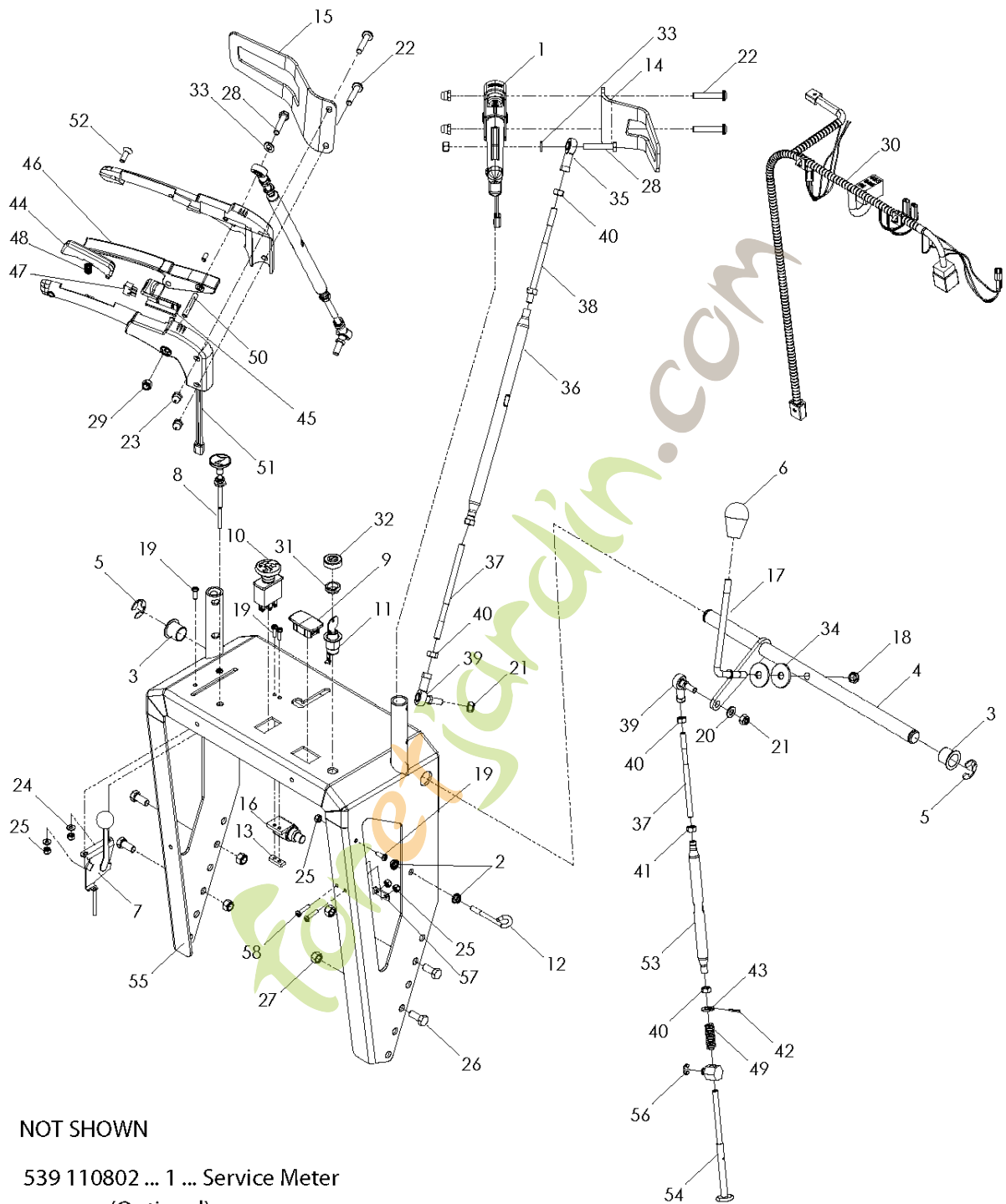


| Référence | Numéro de Pièce | Description | Remarque | QTÉ Kit équipement |
|-----------|-----------------|--------------------------------|----------|--------------------|
| 1 | 539 13 25-35 | SUPPORT | | 2 |
| 2 | 539 13 25-37 | BELLCRANK | | 1 |
| 3 | 539 13 25-39 | BELLCRANK | | 1 |
| 4 | 539 13 25-33 | ROULEMENT | | 4 |
| 5 | 539 13 25-50 | LINK - CONTROL. RH | | 1 |
| 6 | 539 13 25-51 | LINK - CONTROL. LH | | 1 |
| 7 | 505 24 73-01 | HUILE | | 1 |
| 8 | 539 13 25-61 | 45 DEG STRAIGHT THD ELBOW 8-10 | | 4 |
| 9 | 539 99 07-17 | ÉCROU | | 6 |
| 10 | 539 99 06-27 | VIS | | 2 |
| 11 | 539 97 69-35 | VIS | | 4 |
| 12 | 539 97 69-79 | ÉCROU | | 8 |
| 13 | 539 10 85-07 | HCS 3/8-16 X 7/8 GR 5 ZD | | 7 |
| 14 | 510 12 99-01 | HCS | | 2 |
| 15 | 539 97 69-41 | VIS | | 4 |
| 16 | 539 91 61-59 | CLAVETTE | | 2 |
| 17 | 510 20 61-01 | RESSORT | | 1 |
| 18 | 505 20 32-01 | TUYAU | | 2 |
| 19 | 505 20 31-01 | TUYAU | | 2 |
| 20 | 510 36 28-01 | RONDELLE | | 1 |
| 21 | 539 10 77-05 | HCS M6-1.0 X 16MM GR 8.8 ZN | | 2 |
| 22 | 505 28 02-01 | TUYAU | | 1 |
| 23 | 505 28 01-01 | TUYAU | | 1 |
| 24 | 539 97 69-66 | COUVERCLE | | 3 |
| 25 | 539 10 12-42 | RACCORD D ANGLE | | 1 |
| 26 | 505 28 04-01 | RACCORD | | 1 |
| 27 | 539 10 67-25 | V-BELT 52" SPINDLE DRIVE | | 1 |
| 28 | 539 10 93-32 | ECROU | | 2 |
| 29 | 510 13 00-01 | ÉCROU | | 2 |
| 30 | 510 11 10-02 | SUPPORT | | 2 |
| 31 | 539 10 78-91 | COLLIER DE SERRAGE | | 1 |
| 32 | 539 10 12-24 | RESSORT | | 2 |
| 33 | 539 97 69-38 | BOULON | | 2 |
| 34 | 539 99 05-17 | RONDELLE | | 2 |
| 35 | 539 99 05-85 | ÉCROU | | 7 |
| 36 | 521 97 60-01 | POMPE | | 1 |
| 37 | 539 13 25-11 | SUPT - CAM LH | | 1 |
| 38 | 539 13 25-13 | SUPT - CAM. RH PAINTED | | 1 |
| 39 | 539 13 25-20 | ROULEMENT | | 2 |
| 40 | 539 13 25-16 | ARM - HYDRO | | 2 |
| 41 | 539 13 25-23 | ROULEMENT | | 2 |
| 42 | 539 13 25-19 | SHAFT - CAM | | 1 |
| 43 | 539 13 25-18 | CAM | | 1 |
| 44 | 539 13 25-17 | ARM - SPEED CONTROL | | 1 |
| 45 | 539 10 30-03 | ROUE | | 1 |
| 46 | 539 13 26-87 | SPRING - COMPRESSION | | 1 |
| 47 | 539 13 25-21 | WASHER - 20MM | | 2 |
| 48 | 539 13 25-24 | SPRING - COMPRESSION | | 1 |
| 49 | 539 13 17-27 | PULLEY. PUMP | | 1 |
| 50 | 539 13 25-32 | SUPPORT | | 1 |
| 51 | 539 11 02-22 | BOULON | | 1 |
| 52 | 539 11 36-83 | V-IDLER | | 1 |
| 53 | 539 10 81-20 | ÉCROU | | 4 |
| 54 | 539 99 05-80 | VIS | | 4 |
| 55 | 539 10 63-07 | BOULON | | 1 |
| 56 | 539 99 05-88 | VIS | | 1 |
| 57 | 539 20 02-82 | NUT, HEX 3/8-16 NYLON, THIN | | 2 |
| 58 | 539 10 01-45 | RHSNB 3/8C X 2 | | 1 |
| 59 | 539 10 93-32 | ECROU | | 1 |
| 60 | 539 99 06-13 | ÉCROU | | 1 |
| 61 | 505 22 40-01 | STYLO | | 2 |
| 62 | 539 13 15-28 | NUT. M10-1.5 L/H HEX | | 1 |
| 64 | 539 11 28-96 | J-BOLT | | 1 |

| Référence | Numéro de Pièce | Description | Remarque | QTÉ Kit équipement |
|-----------|-----------------|--------------|----------|--------------------|
| 65 | 539 10 35-47 | RONDELLE | | 2 |
| 66 | 539 13 18-95 | PLUG. 6408-6 | | 1 |
| 67 | 539 99 01-88 | RONDELLE | | 1 |
| 68 | 539 99 01-22 | RONDELLE | | 1 |
| 70 | 539 10 31-53 | ÉCROU | | 4 |
| 71 | 539 99 01-87 | RONDELLE | | 2 |
| 72 | 539 97 69-77 | ÉCROU | | 2 |
| 73 | 521 97 61-01 | VIS | | 2 |

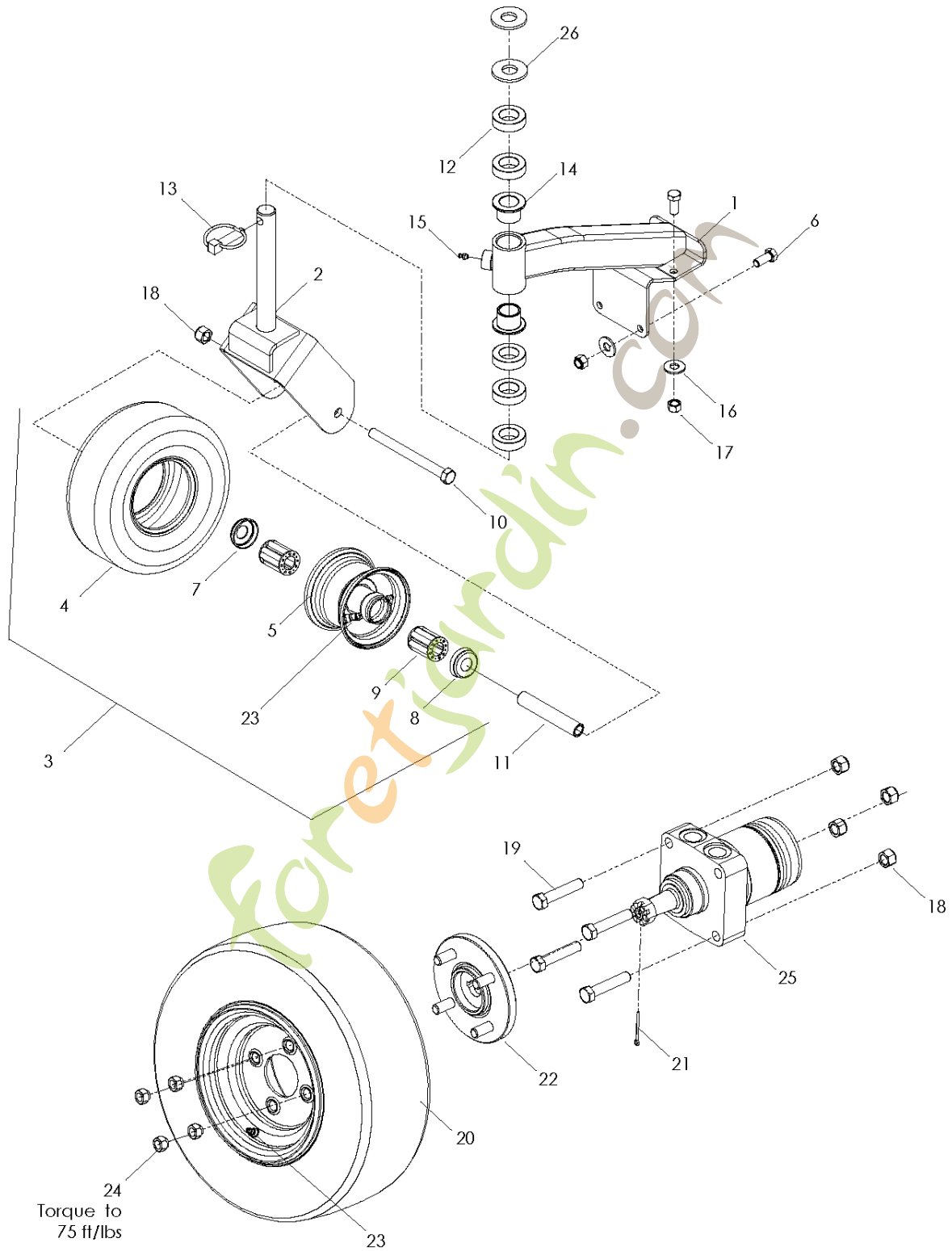
foretjardin.com

HANDLE AND CONTROLS



| Référence | Numéro de Pièce | Description | Remarque | QTÉ Kit équipement |
|-----------|-----------------|-----------------------------|-----------|--------------------|
| 1 | 539 13 26-23 | POIGNÉE | | 2 |
| 2 | 539 99 05-85 | ÉCROU | | 2 |
| 3 | 539 13 25-20 | ROULEMENT | | 2 |
| 4 | 539 13 26-28 | COMMANDE | | 1 |
| 5 | 539 13 26-29 | E-RING. 20MM | | 2 |
| 6 | 539 13 26-24 | KNOB - SHIFT | | 1 |
| 7 | 539 13 26-88 | GASREGLAGE | | 1 |
| 8 | 539 13 02-08 | CONTROL-CHOKE, BLUE, 51" | | 1 |
| 9 | 532 40 49-51 | BOUCHON | | 1 |
| 10 | 539 10 17-68 | BRAKER | | 1 |
| 11 | 539 91 18-53 | KEY SWITCH, COMPLETE | | 1 |
| 12 | 539 13 26-76 | GUIDE | | 1 |
| 13 | 539 10 26-78 | PLAQUE | | 1 |
| 14 | 522 42 18-02 | PROTECTEUR | | 1 |
| 15 | 522 42 17-02 | PROTECTEUR | | 1 |
| 16 | 539 02 00-17 | INTERRUPTEUR | | 1 |
| 17 | 539 13 26-26 | ROD - SHIFT | | 1 |
| 18 | 539 20 02-82 | NUT, HEX 3/8-16 NYLON, THIN | | 1 |
| 19 | 539 99 04-11 | VIS | | 5 |
| 20 | 539 99 01-88 | RONDELLE | | 1 |
| 21 | 539 10 31-53 | ÉCROU | | 3 |
| 22 | 505 20 33-01 | VIS | | 4 |
| 23 | 505 20 34-01 | ÉCROU | | 4 |
| 24 | 539 10 54-08 | WASHER 10 | | 2 |
| 25 | 539 97 69-77 | ÉCROU | | 5 |
| 26 | 539 10 85-07 | HCS 3/8-16 X 7/8 GR 5 ZD | | 4 |
| 27 | 539 97 69-79 | ÉCROU | | 4 |
| 28 | 539 99 06-69 | VIS | | 2 |
| 29 | 539 99 07-17 | ÉCROU | | 2 |
| 30 | 510 36 69-01 | HARNAIS | | 1 |
| 31 | 539 10 31-77 | ÉCROU | | 1 |
| 32 | 539 10 31-78 | ENJOLIVEUR | | 1 |
| 33 | 539 99 01-87 | RONDELLE | | 2 |
| 34 | 539 91 20-63 | CONE WASHER | | 2 |
| 35 | 539 13 26-02 | ROD END 8 MM. RH | | 1 |
| 36 | 539 13 26-01 | TUBE - ADJUSTING | | 1 |
| 39 | 539 13 26-03 | ROD END 8 MM. W/STUD | | 1 |
| 40 | 539 13 26-07 | NUT-8MM X 1.25 HEX ZD | | 3 |
| 42 | 539 13 26-14 | ROLL PIN - 3 MM | | 1 |
| 44 | 539 13 26-74 | DECLENCHEUR | | 2 |
| 45 | 539 13 26-17 | LOCK - NEUTRAL | | 2 |
| 46 | 539 13 26-18 | LEVIER | | 2 |
| 47 | 539 13 26-20 | INTERRUPTEUR | | 2 |
| 48 | 539 13 25-99 | RESSORT | | 2 |
| 49 | 539 10 12-24 | RESSORT | | 1 |
| 50 | 539 13 26-35 | PIN - GROOVE 1/4 X 1-1/2 | | 2 |
| 51 | 539 13 26-75 | HARNAIS | | 2 |
| 52 | 539 13 26-77 | SCREW - OVAL HEAD 6MM | | 2 |
| 53 | 539 13 26-09 | TUBE - ADJUSTING | | 1 |
| 55 | 522 47 81-01 | POIGNÉE | | 1 |
| 56 | 539 13 26-13 | E-RING. 10MM | | 1 |
| 57 | 510 41 76-02 | PLAQUE | | 1 |
| 58 | 539 10 26-17 | VIS | | 2 |
| -- | 539 11 08-02 | RESSORT | NOT SHOWN | 1 |
| | 522 95 05-01 | POIGNÉE | NOT SHOWN | 1 |

WHEELS AND TIRES



| Référence | Numéro de Pièce | Description | Remarque | Qté Kit équipement |
|-----------|-----------------|--------------------------|-------------------|--------------------|
| 3 | 539 10 45-56 | TIRE & WHEEL ASSEMBLY | | 1 |
| 4 | 539 10 19-05 | TIRE, 9" | | 1 |
| 5 | 539 10 46-18 | JANTE | | 1 |
| 6 | 539 10 85-07 | HCS 3/8-16 X 7/8 GR 5 ZD | | 8 |
| 7 | 539 92 35-57 | ENDCAP | | 1 |
| 8 | 539 97 73-56 | ENDCAP, NOTCHED | | 1 |
| 9 | 539 97 73-53 | ROULEMENT À BILLES | | 2 |
| 10 | 539 10 19-07 | VIS | | 1 |
| 11 | 539 10 18-72 | RONDELLE D'ESPACEMENT | | 1 |
| 12 | 539 13 26-78 | RONDELLE D'ESPACEMENT | | 6 |
| 13 | 539 10 18-74 | LYNCH PIN 7/16 | | 1 |
| 14 | 539 10 66-56 | PRESSED BEARING | | 2 |
| 15 | 539 97 69-98 | RACCORD | | 1 |
| 16 | 539 99 05-17 | RONDELLE | | 8 |
| 17 | 539 97 69-79 | ÉCROU | | 7 |
| 18 | 539 10 13-31 | ÉCROU | | 10 |
| 19 | 539 10 83-46 | BOULON | | 8 |
| 20 | 522 41 30-01 | ROUE COMPLÈTE | | 2 |
| 21 | 539 99 02-97 | GOUPILLE FENDUE | | 2 |
| 22 | 539 13 26-89 | HUB. WHEEL | | 2 |
| 23 | 539 91 22-34 | SOUPAPE | | 4 |
| 24 | 539 10 11-73 | ÉCROU | | 8 |
| 25 | 539 10 35-27 | MOTEUR DE ROUE | LEFT | 1 |
| -- | 521 91 16-01 | MOTEUR | "RIGHT, REVERSED" | 1 |
| 26 | 521 99 45-01 | RONDELLE D'ESPACEMENT | | 2 |

Foretjardin.com