

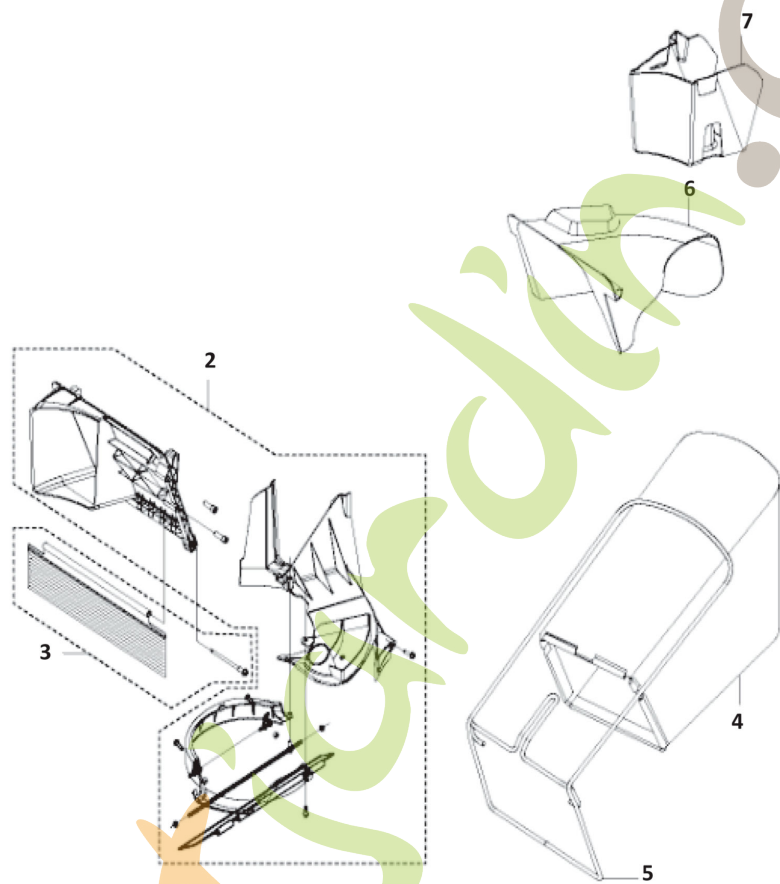


2026-06-01

Husqvarna LC 353 AWD

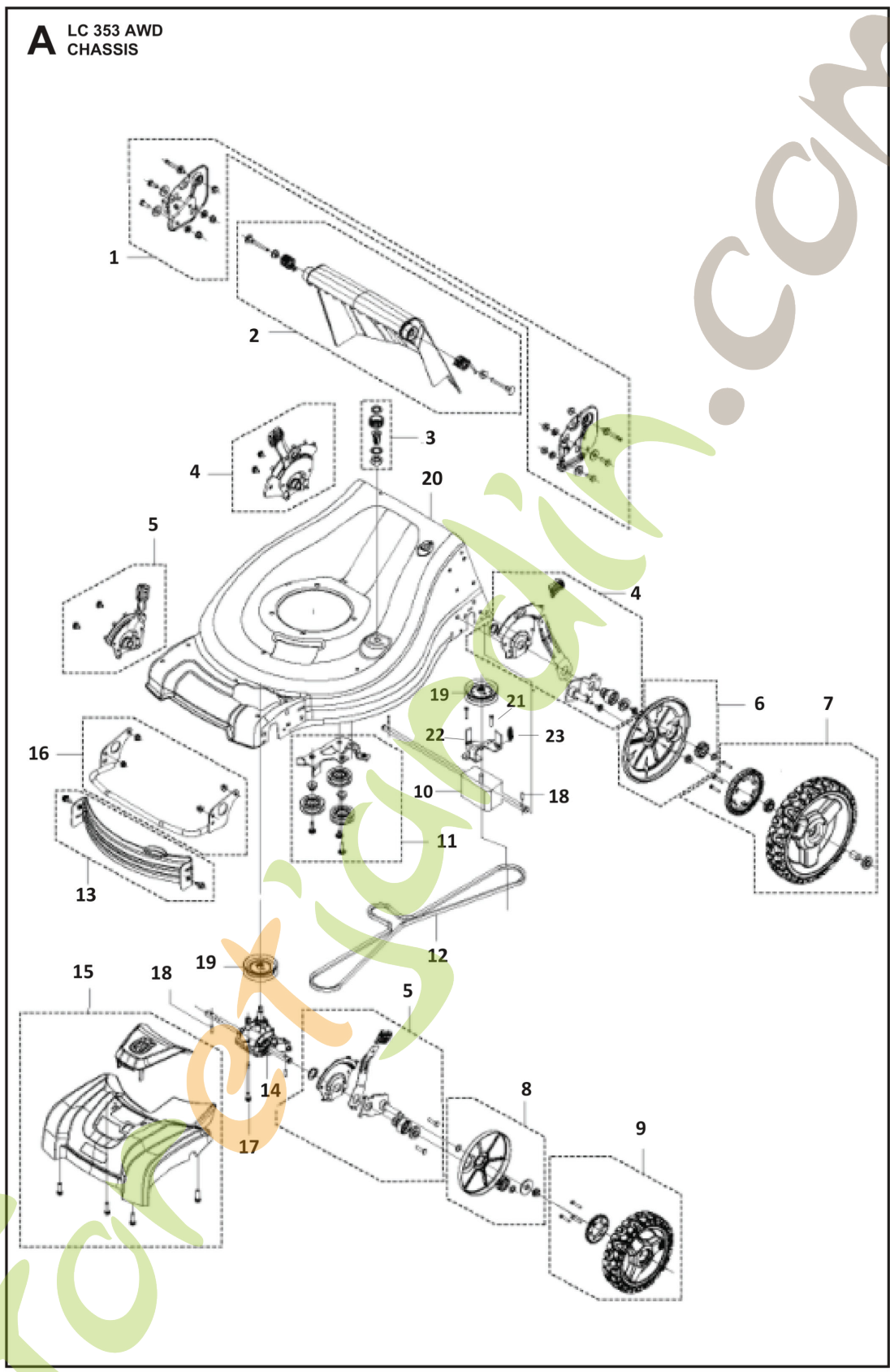


D LC 353 AWD
BAGGER



| Ref | Article Number | Article Name | Comment |
|-----|----------------|-----------------------------|---------|
| 2 | 598454201 | INSERT | |
| 3 | 598454101 | PROTECTEUR | |
| 4 | 587100409 | BAC DE RAMASSAGE COMPLET | |
| 5 | 586929104 | CADRE | |
| 6 | 582261901 | TUBE | |
| 7 | 586922701 | BOUCHON MULCHING | |

ForêtJardin.com

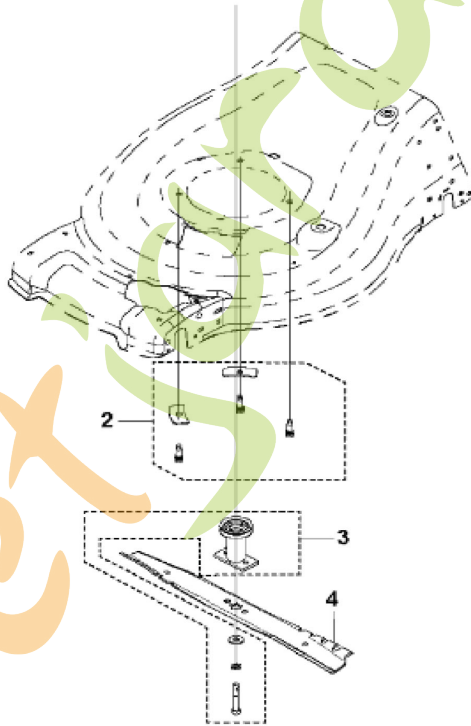
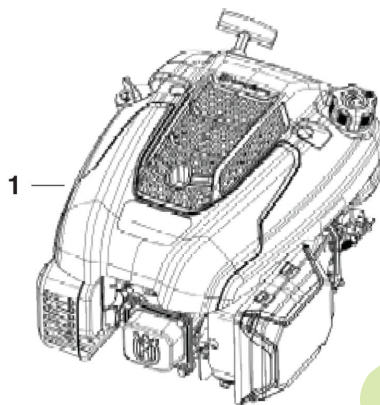


| Ref | Article Number | Article Name | Comment |
|-----|----------------|--------------|---------|
|-----|----------------|--------------|---------|

ForêtJardin.com

| | | |
|----|-----------|-------------------------|
| 1 | 598453601 | SUPPORT |
| 2 | 598453701 | PORTE COMPLETE |
| 3 | 532421114 | WATER CONNECTOR |
| 4 | 598454001 | HEIGHT ADJUSTER SYSTEM |
| 5 | 598453901 | HEIGHT ADJUSTER SYSTEM |
| 6 | 598454601 | PARE-POUSSIÈRE |
| 7 | 598454801 | ROUE COMPLÈTE |
| 8 | 598454501 | PARE-POUSSIÈRE |
| 9 | 598454701 | ROUE COMPLÈTE |
| 10 | 586137601 | TRANSMISSION |
| 11 | 598454401 | PULLEY KIT |
| 12 | 580364609 | COURROIE |
| 13 | 598454301 | PLAQUE |
| 14 | 589486201 | TRANSMISSION |
| 15 | 598453801 | COUVERCLE |
| 16 | 599575101 | CAPOT PROTECTION CARTER |
| 17 | 587438201 | SCREW |
| 18 | 532404845 | CLIQUET D'ENTRAÎNEMENT |
| 19 | 586963002 | POULIE |
| 20 | 599542001 | CHÂSSIS |
| 21 | 532163409 | SCREW |
| 22 | 581152502 | SUPPORT |
| 23 | 581351301 | RESSORT |

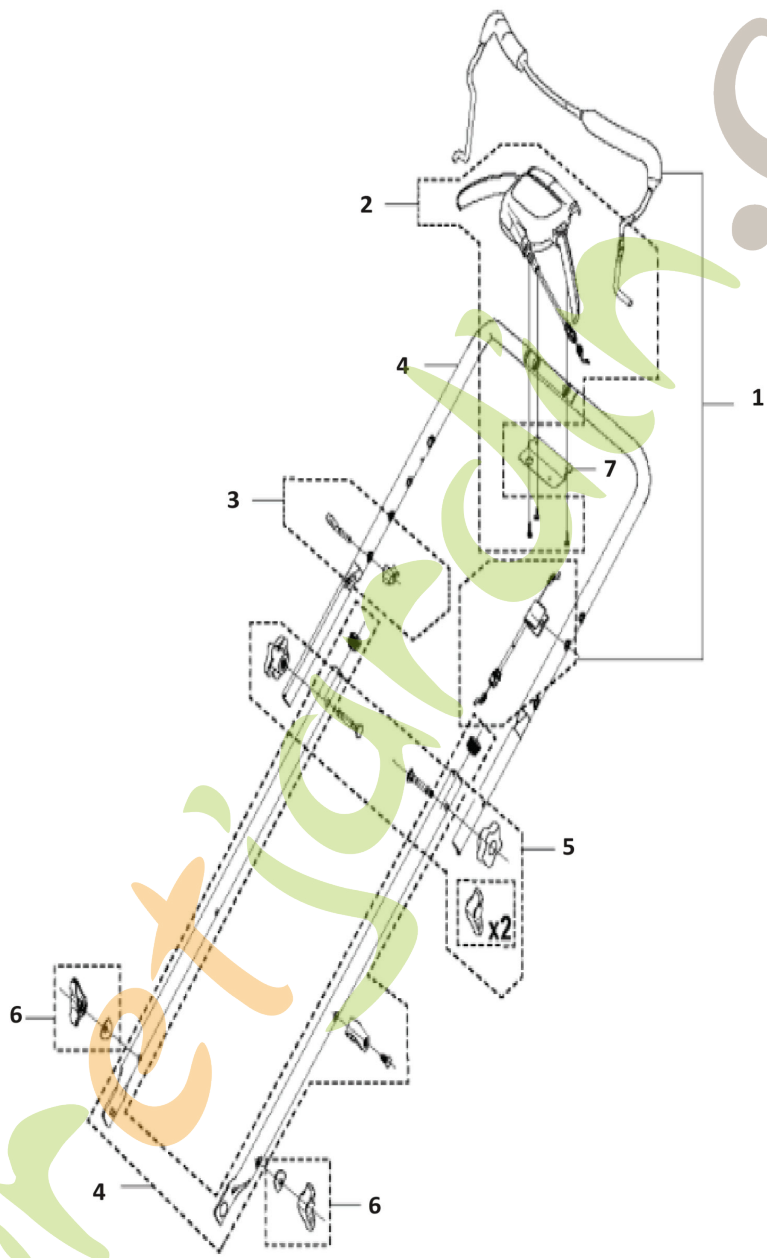
C LC 353 AWD
ENGINE



| Ref | Article Number | Article Name | Comment |
|-----|----------------|------------------|--------------------------------|
| 1 | 536650301 | MOTEUR | For 970842601 and 970842602 |
| 1 | 541444001 | MOTEUR | For 970842603 |
| 2 | 599542101 | INSTALLATION KIT | |
| 3 | 598452701 | ADAPTATEUR | |
| 4 | 599541901 | COUTEAU | |

ForêtJardin.com

B LC 353 AWD
HANDLE AND GRASS BAG



| Ref | Article Number | Article Name | Comment |
|-----|----------------|-----------------------------------|---------|
| 1 | 598453101 | ENSEMBLE DE BRAS DE CAUTIONNEMENT | |
| 2 | 587420001 | COMMANDE | |
| 3 | 598695801 | GUIDE | |
| 4 | 598453301 | KIT POIGNEE | |
| 5 | 598453401 | KNOB ASSY | |
| 6 | 599542201 | BOUTON | |
| 7 | 536153801 | BACKPLATE | |

ForêtJardin.com