

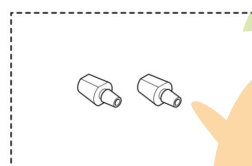
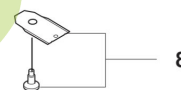
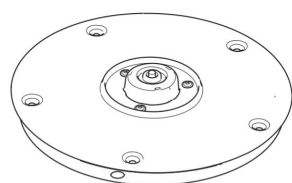
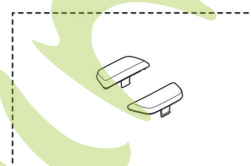
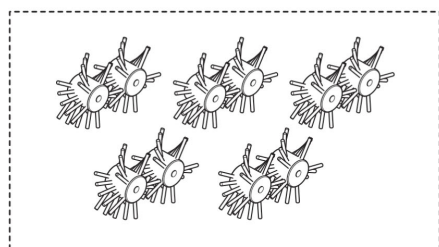
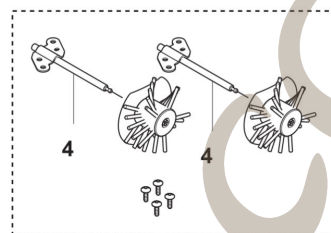
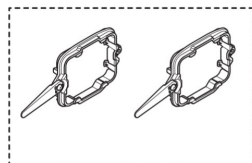


2026-04-03

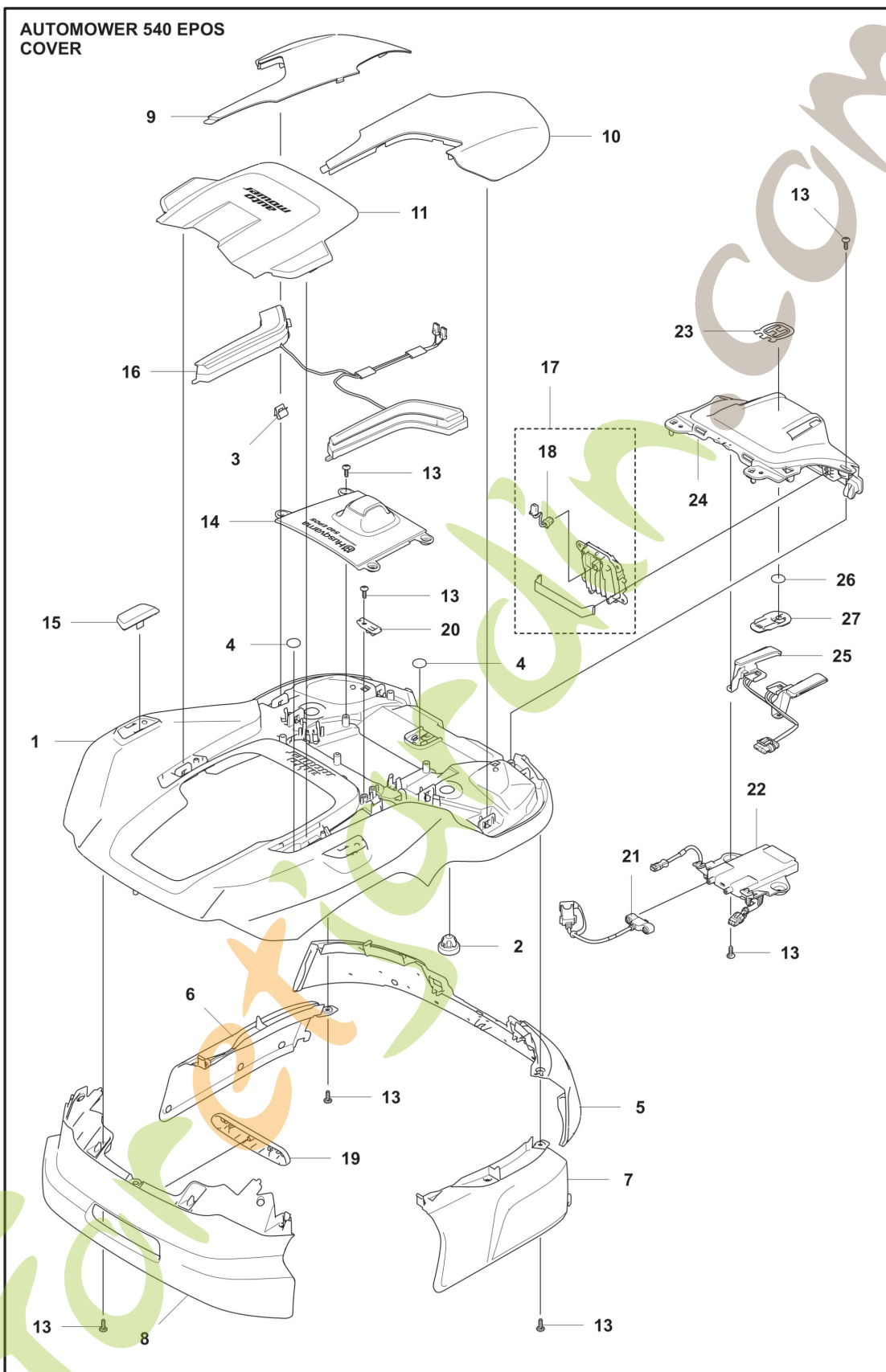
Husqvarna Automower® 540 EPOS™



AUTOMOWER 540 EPOS, AUTOMOWER 560 EPOS ACCESSORIES



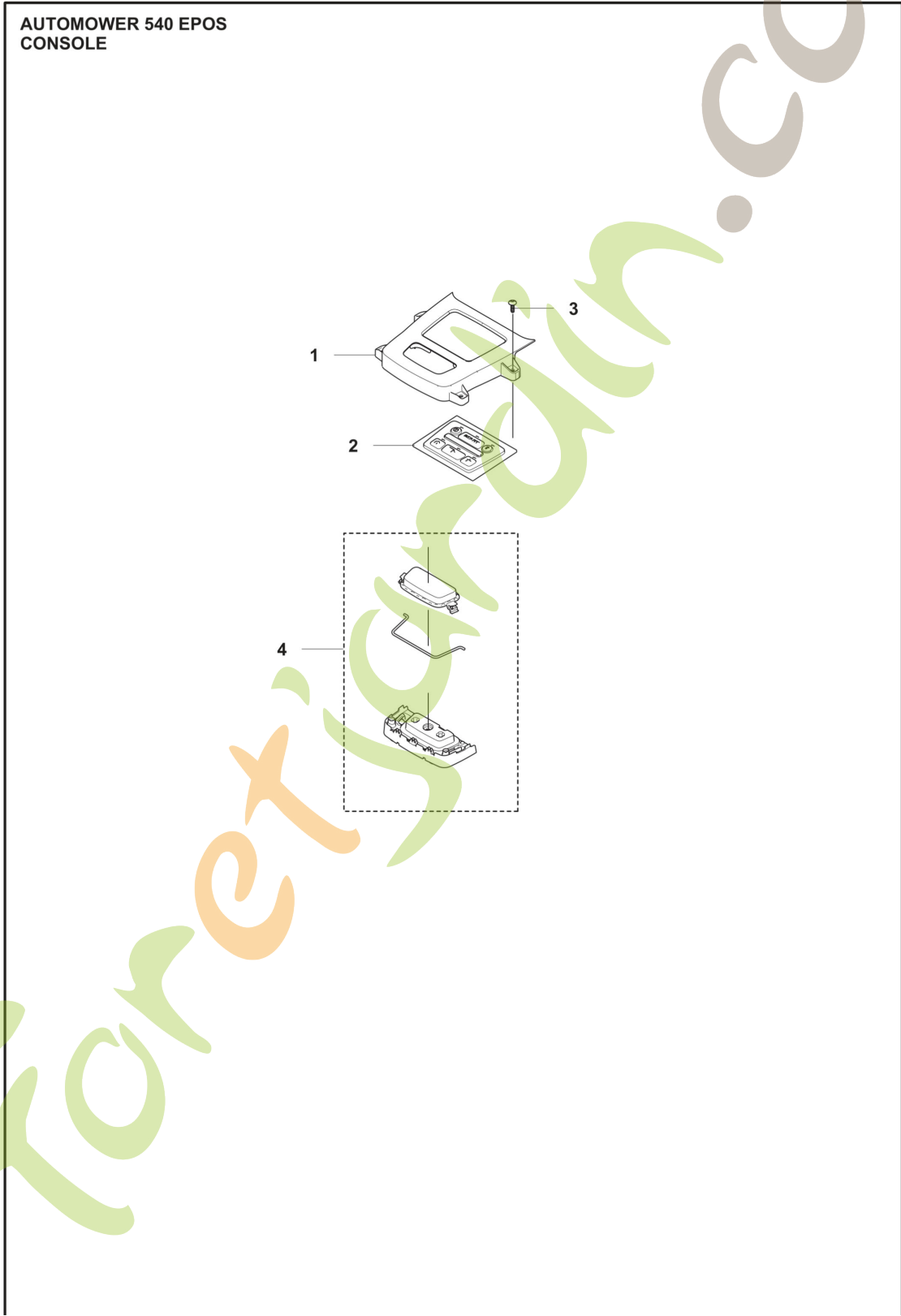
Ref	Article Number	Article Name	Comment
1	580689502	AUTOCOLLANT	Warranty seal
2	546260001	WHEEL KIT	Wheel Cleaner
2	546260010	WHEEL KIT	Automower® Wheel Cleaner, North America
3	548283002	KIT DE BROSSES	Wheel Brush start kit
3	548283011	KIT DE BROSSES	Wheel Brush start kit North America only
4	546573101	ARBRE	
5	548283101	KIT DE BROSSES	Wheel Brush refill kit
6	548490501	CAPUCHON	Cap kit
7	548021201	DISQUE DE COUPE	Cutting disc
7	548021210	DISQUE DE COUPE	Cutting disc North America only
8	577606505	BLADE SET	Blades 45 pcs incl. Screws
8	577606604	BLADE SET	Blades 300 pcs incl. Screws
8	599805301	BLADE SET	Blades 45 pcs incl. Screws
8	599805302	BLADE SET	Blades 300 pcs incl. Screws
9	540085601	AMORTISSEUR	Damper KIT 2pcs



Ref	Article Number	Article Name	Comment
 A large, diagonal watermark is present across the page. The text 'ForêtJardin.com' is written in a stylized, cursive font. 'Forêt' is in light green, 'Jardin' is in a darker green, and '.com' is in a light grey color.			

1	546606701	CORPS	
2	546632301	PIGNON	
3	593778401	COLLIER DE SERRAGE	
4	593822101	AIMANT	
5	546606901	CAPOT PROTECTION CARTER	Front
6	546607001	CAPOT PROTECTION CARTER	Left
7	546609101	CAPOT PROTECTION CARTER	Right
8	546609301	CAPOT PROTECTION CARTER	Rear
9	546619101	CARTER	Left
10	547274101	CARTER	Right
11	546910001	CARTER DE PROTECTION	HMI
13	574450101	VIS ITXPANT	
14	546619402	SUPPORT	Front
15	546619501	SUPPORT	Rear
16	547229001	CÂBLAGE COMPLET	
17	538876303	SENSOR ASSY	Radar KIT
18	531407202	CÂBLAGE COMPLET	
19	547565101	POIGNÉE	Handle
20	547156001	SUPPORT	
21	547164001	CÂBLAGE COMPLET	
22	547151401	MODULE	Nose module
23	587423502	DECAL	
24	547151301	CARTER	
25	546919301	CÂBLAGE COMPLET	Charaina plate wirina assv

26	547582601	AIMANT	
27	547582201	SUPPORT	Holder magnet

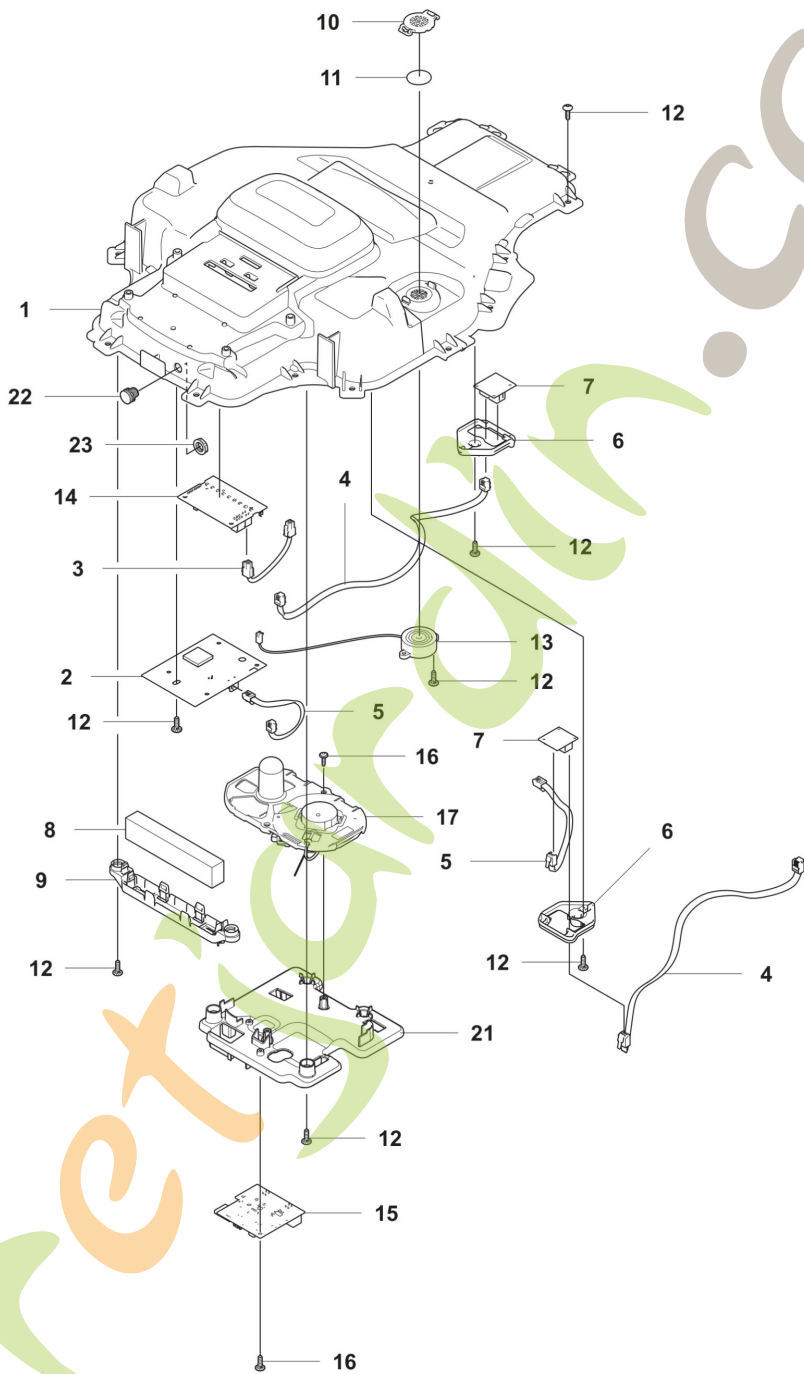




Ref	Article Number	Article Name	Comment
1	546625501	CARTER	
2	546405504	CLAVIER	
3	574450101	VIS IXPANT	
4	547580701	BUTTON ASSY	Stop button assy

ForêtJardin.COM

AUTOMOWER 540 EPOS
CHASSIS UPPER

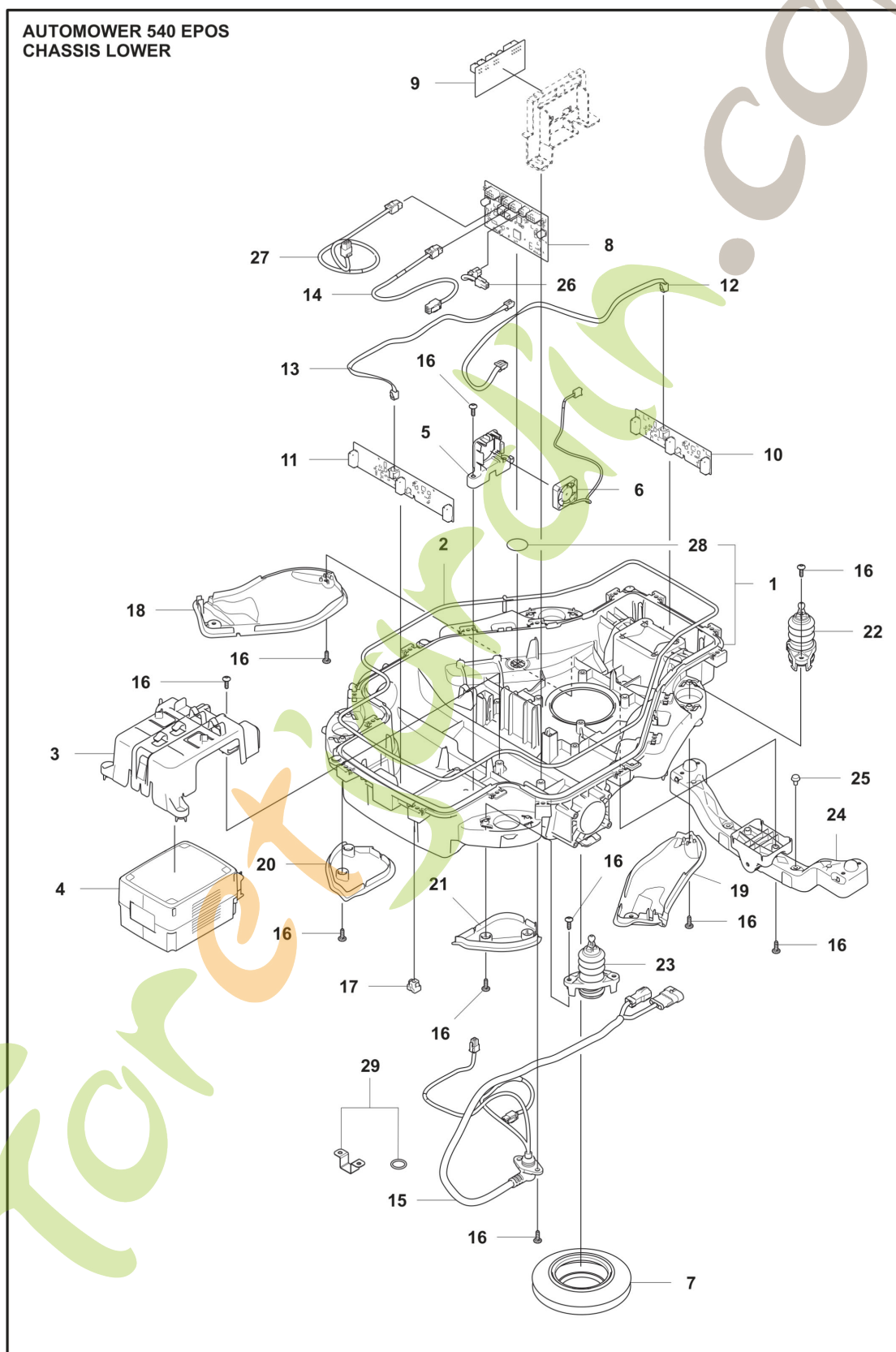


Ref	Article Number	Article Name	Comment
 A large, diagonal watermark is present across the page. The text 'ForêtJardin.com' is written in a stylized, cursive font. 'Forêt' is in light green, 'Jardin' is in a slightly darker green, and '.com' is in a light grey color.			

1	546625402	CHÂSSIS	
2	536462903	CIRCUIT IMPRIME COMPLET	Communication circuit board, CBT10
3	547846808	CÂBLAGE COMPLET	
4	547108612	CÂBLAGE COMPLET	
5	536253901	CÂBLAGE COMPLET	
6	535563901	SUPPORT	
7	591125502	CIRCUIT IMPRIME COMPLET	Magnetic sensor circuit board
8	598503602	POIDS	
9	531352801	SUPPORT	Weight holder
10	586038902	CARTER	
11	548629101	MEMBRANE	
12	574450101	VIS IXPANT	
13	547309101	SIRENE	Buzzer
14	538947101	CIRCUIT IMPRIME COMPLET	HMI circuit board
15	547006601	CIRCUIT IMPRIME COMPLET	Application circuit board
16	575543314	VIS	
17	547709605	SUPPORT COMPLET	RTK module / RTK 868 MHz Europe
17	547709606	SUPPORT COMPLET	RTK module / RTK 915 MHz North America
17	547709607	SUPPORT COMPLET	RTK module / RTK 915 MHz Australia
17	547709608	SUPPORT COMPLET	RTK module / RTK 915 MHz New Zealand
21	546625101	SUPPORT	

22 541223101 FILTRE

23 541223701 FILTRE



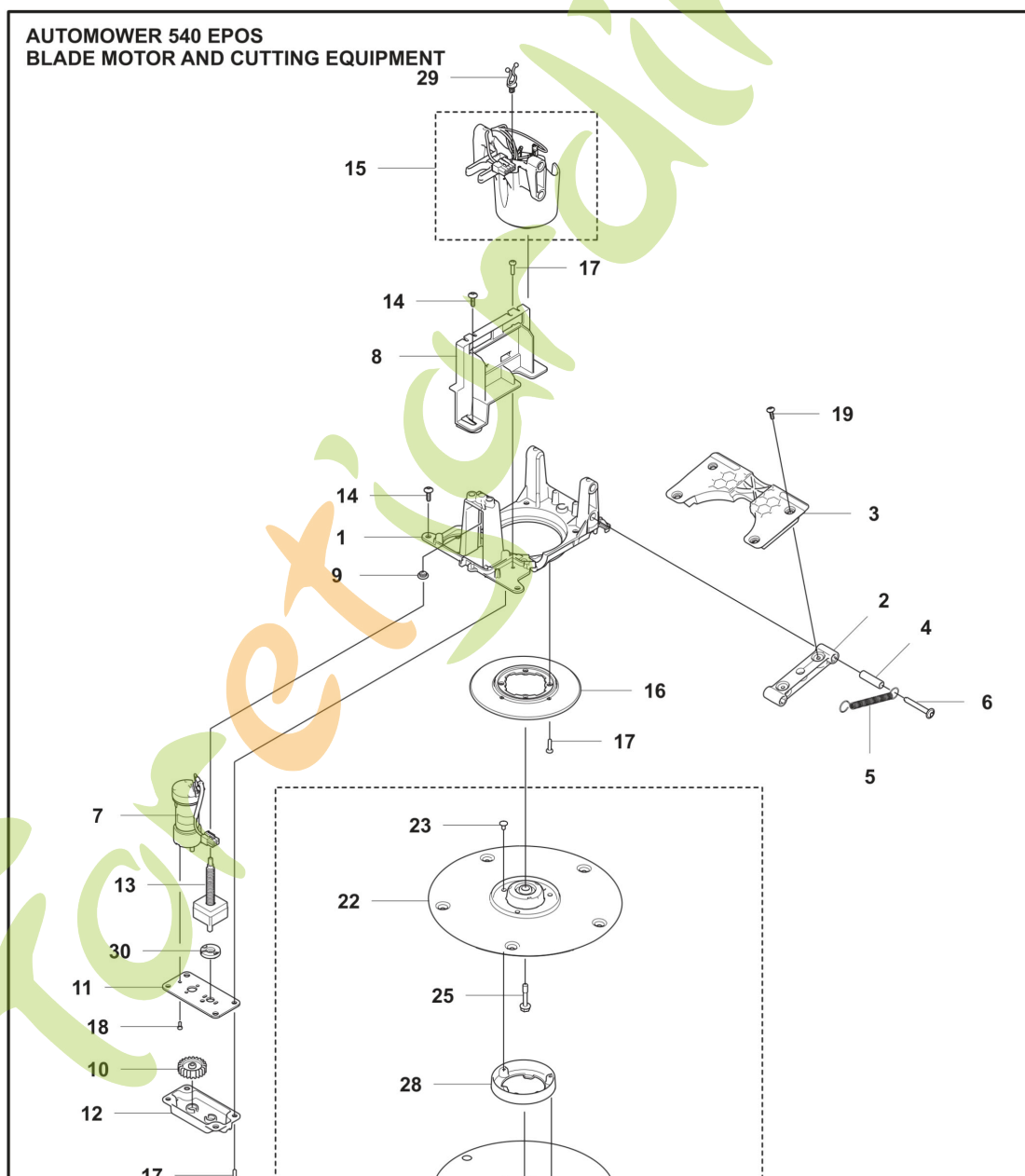


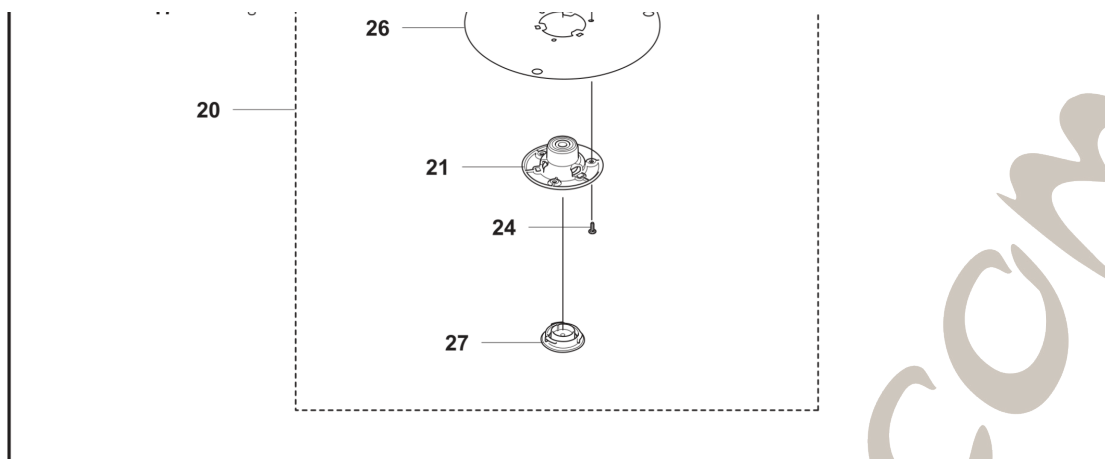
ForêtJardin.com

Ref	Article Number	Article Name	Comment
 A large, diagonal watermark is present across the page. The text 'ForêtJardin.com' is written in a stylized, cursive font. 'Forêt' is in light green, 'Jardin' is in a slightly darker green, and '.com' is in a light grey color.			

1	541382001	CHASSIS KIT	Chassis incl. membrane
2	574874705	BANDE D'ÉTANCHÉITÉ	
3	546625001	SUPPORT	
4	546834401	BATTERY	
5	536651501	SUPPORT	
6	547555901	FAN MOTOR	Cooling fan
7	599318301	SOUFFLET	
8	546326402	CIRCUIT IMPRIME COMPLET	Wheel motor control circuit board
9	546326102	CIRCUIT IMPRIME COMPLET	Cutting motor and Height adjustment motor circuit board
10	546001101	CIRCUIT IMPRIME COMPLET	Loop receiver board front
11	546007101	CIRCUIT IMPRIME COMPLET	Loop receiver board rear
12	547108604	CÂBLAGE COMPLET	Wiring assy loop rear
13	547108611	CÂBLAGE COMPLET	Wiring assy loop front
14	546688701	CÂBLAGE COMPLET	Wiring assy battery
15	546640201	CÂBLAGE COMPLET	Main cable
16	574450101	VIS ITXPANT	
17	598004501	INSERT	
18	546625201	CARTER	Dirt protection front left
19	546625301	CARTER	Dirt protection front right
20	547044902	CARTER	Dirt protection rear left
21	547045002	CARTER	Dirt protection rear right
22	531281201	JOYSTICK ASSY	Lift and collision front

23	531281301	JOYSTICK ASSY	Collision Rear
24	547158401	SHAFT SYSTEM	Shaft assy
25	535293701	AMORTISSEUR	
26	547846809	CÂBLAGE COMPLET	
27	546689101	CÂBLAGE COMPLET	
28	548629101	MEMBRANE	
29	541382201	HOLDER KIT	

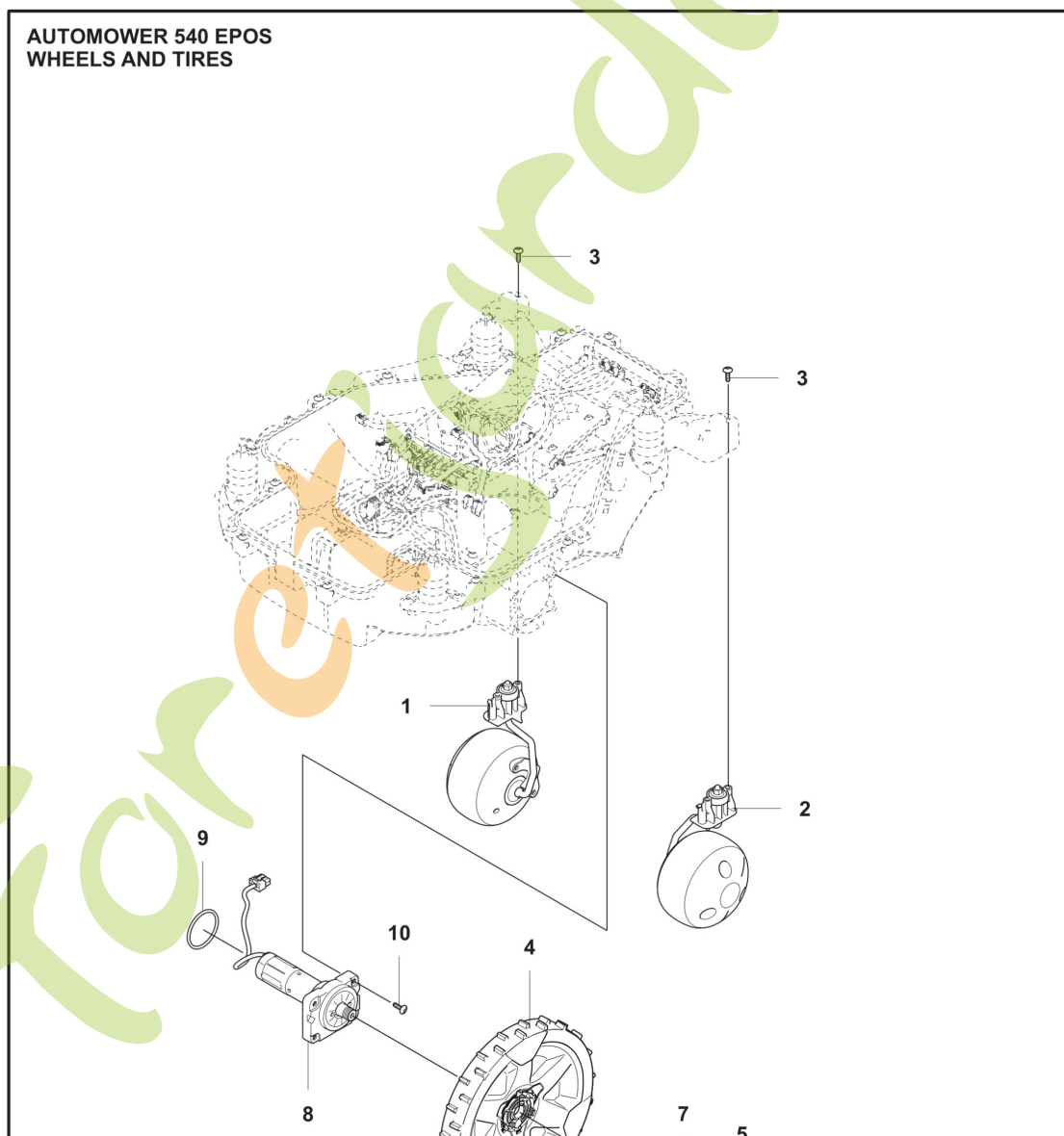


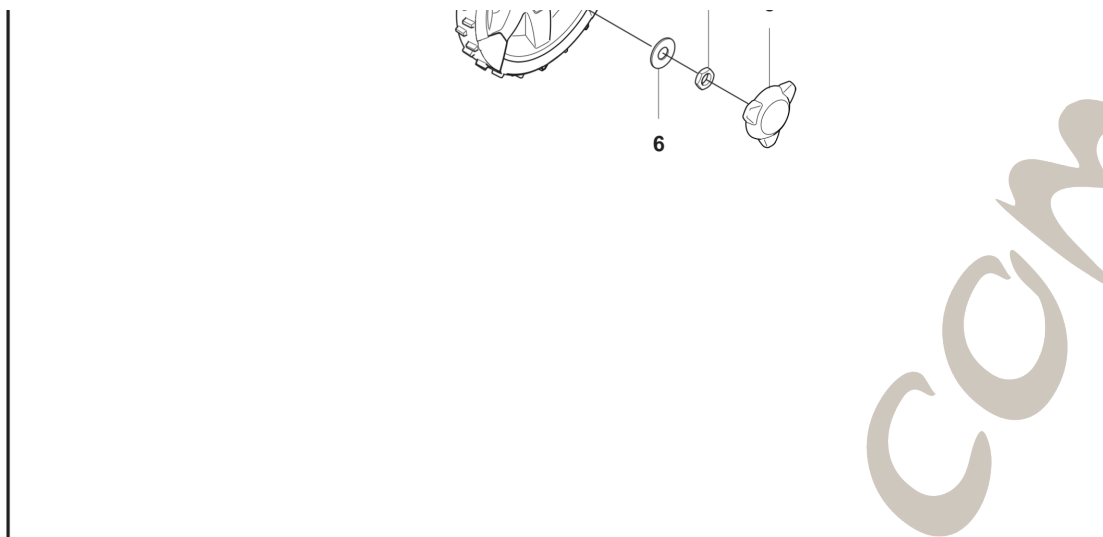


Ref	Article Number	Article Name	Comment
 A large, diagonal watermark is present across the page. The text 'ForêtJardin.com' is written in a stylized, cursive font. 'Forêt' is in light green, 'Jardin' is in a slightly darker green, and '.com' is in a light grey color.			

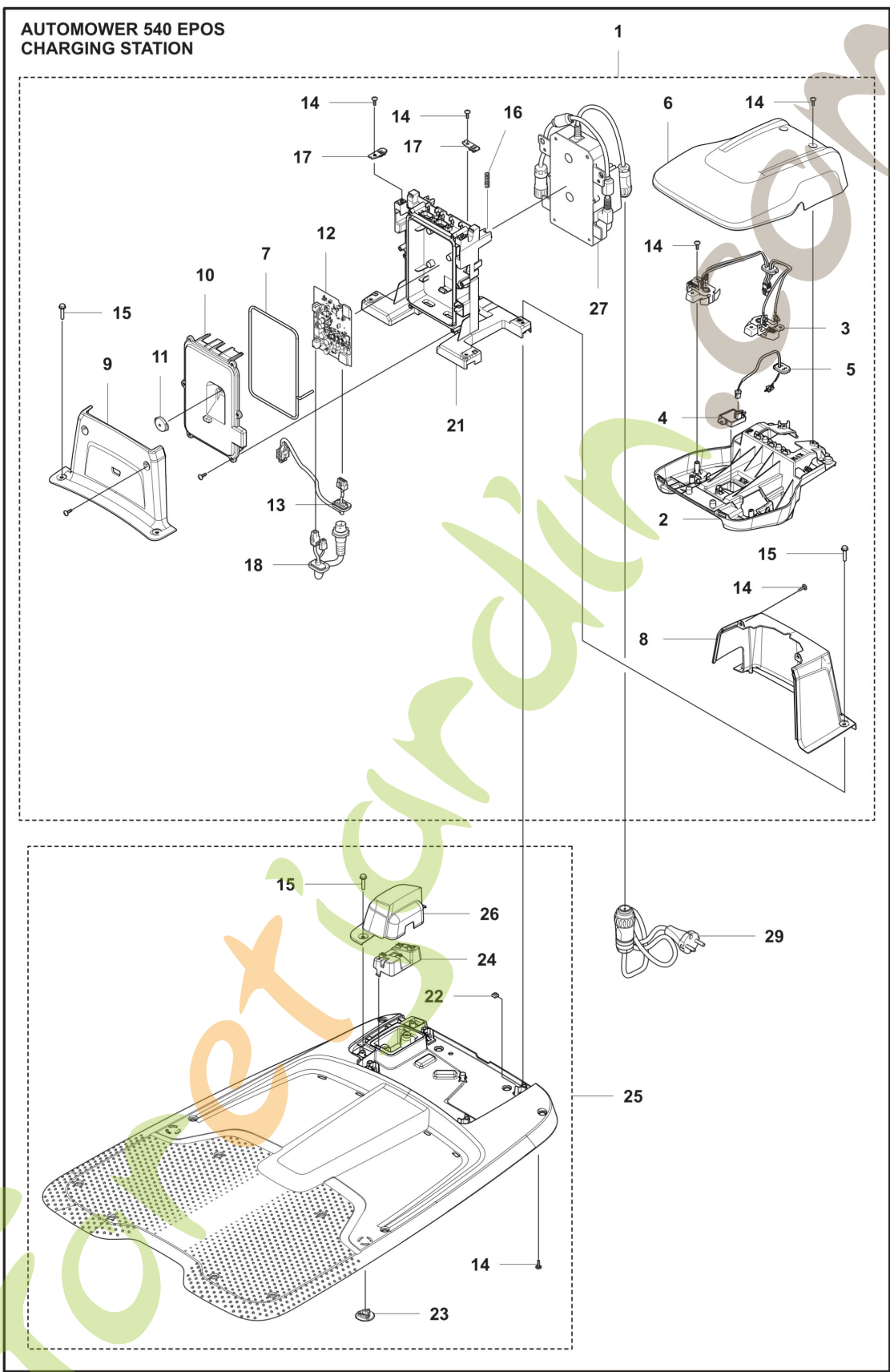
1	546569401	FIXATION DE CADRE	
2	546569501	SUPPORT	
3	547394201	SUPPORT	
4	547394301	DOUILLE	
5	547394101	RESSORT	
6	547790901	VIS	
7	597762001	HEIGHT ADJUSTMENT MOTOR	Height adjustment motor
8	547178601	SUPPORT	
9	536813301	BUSHING	
10	546569701	ENGRENAGE	
11	546569601	PLAQUE	
12	546569801	CARTER	
13	548050301	WORM GEAR ASSY	
14	574450101	VIS ITXPANT	
15	546678301	CUTTER MOTOR ASSY	Cutting motor
16	546570201	CADRE	
17	548234501	VIS	
18	547793201	VIS	
19	575543314	VIS	
20	548021201	DISQUE DE COUPE	Cutting disc
21	548810501	ENSEMBLE DU BOITIER DE ROULEMENT	Bearing housing assy
22	546639001	CUTTING DISC ASSY	Cutting disc assy
23	590508701	VIS	

24	575543314	VIS	
25	599535101	SUPPORT	
26	546571701	PLAQUE DE PROTECTION ANTI-DÉRAPAGE	Skidplate
27	547159801	CAPUCHON	
28	547159701	SUPPORT	
29	580682901	TOOL HOLDER	
30	548493101	BUSHING	





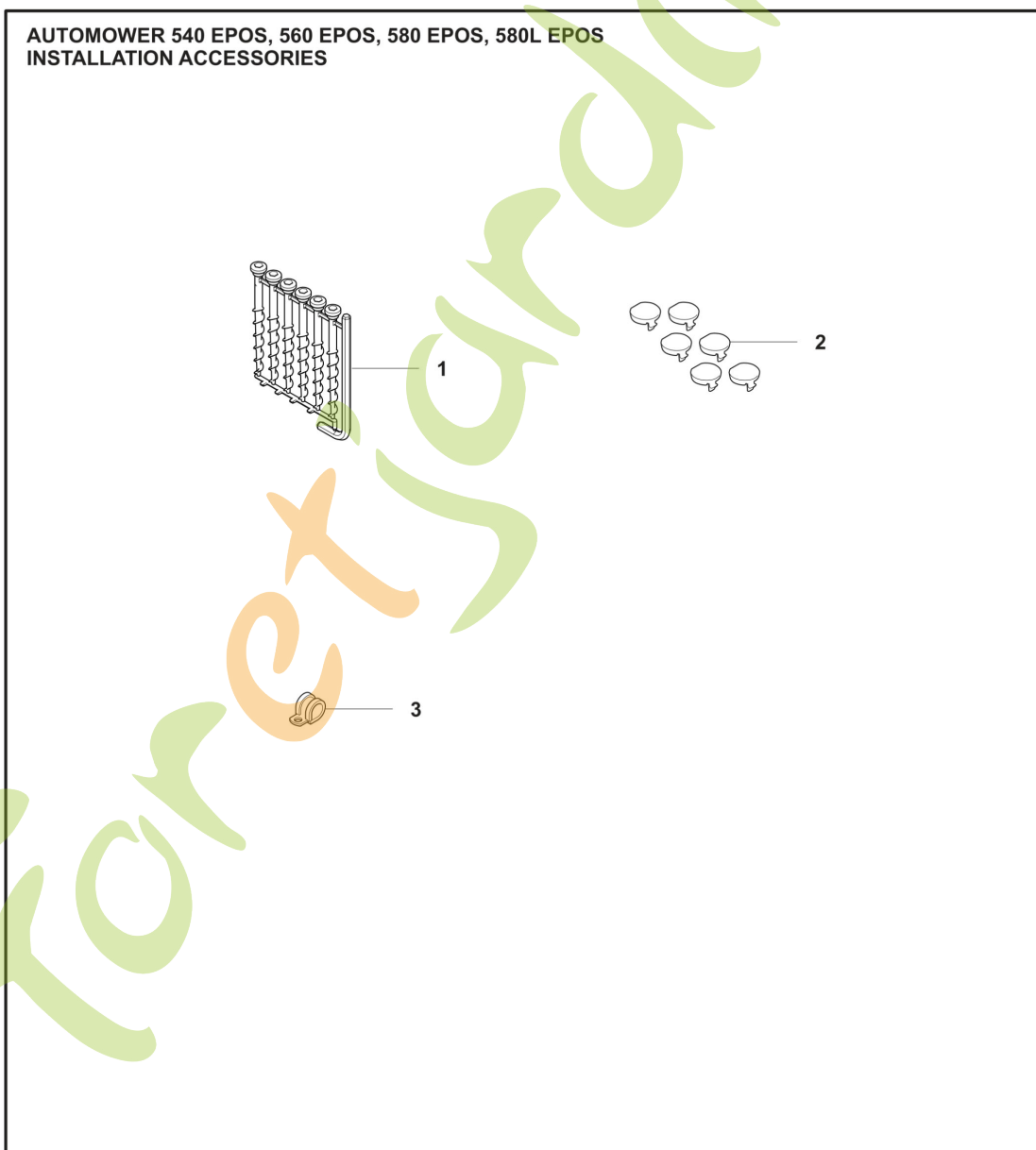
Ref	Article Number	Article Name	Comment
1	546572001	ROUE COMPLÈTE	Support wheel assy left
2	547634801	ROUE COMPLÈTE	Support wheel assy right
3	574450101	VIS ITXPANT	
4	582280207	WHEEL KIT	Rear wheel
5	579505503	ENJOLIVEUR	
6	586210601	RONDELLE	
7	731432401	ECROU HEXAGONAL FIN DE BLOCAGE	
8	546282801	WHEEL MOTOR ASSY	Wheel motor
9	580443902	JOINT TORIQUE	
10	574450101	VIS ITXPANT	



Ref	Article Number	Article Name	Comment
 A large, diagonal watermark is present across the page. The text 'ForêtJardin.com' is written in a stylized, cursive font. 'Forêt' is in light green, 'Jardin' is in a slightly darker green, and '.com' is in a light grey color.			

1	540624201	CHARGING TOWER	Charging tower assy
2	546869301	CADRE	
3	546913801	CÂBLAGE COMPLET	
4	599476401	CARTER COMPLET	Magnetic sensor circuit board
5	546700001	CÂBLAGE COMPLET	
6	546868901	CAPUCHON	
7	574874722	BANDE D'ÉTANCHÉITÉ	
8	546869501	CARTER	Tower back
9	546869601	CARTER	Tower front
10	546869701	CARTER	
11	546282401	CAPUCHON	
12	546326503	CIRCUIT IMPRIME COMPLET	Charging station circuit board
13	546913901	CÂBLAGE COMPLET	
14	574450101	VIS ITXPANT	
15	547620001	BOULON	
16	547597101	RESSORT	
17	547156001	SUPPORT	
18	547104701	CÂBLAGE COMPLET	
21	546869801	SUPPORT	
22	503226601	ÉCROU CARRÉ	
23	599436301	PIGNON	
24	547586001	PONT	
25	546869901	BASE PLATE ASSY	Base plate assv

26	546870201	TRAPPE	
27	546652801	POWER SUPPLY UNIT	
29	598973301	CÂBLAGE COMPLET	EU
29	598973302	CÂBLAGE COMPLET	UK/IR
29	598973303	CÂBLAGE COMPLET	CH
29	598973305	CÂBLAGE COMPLET	AU/NZ
29	598973308	CÂBLAGE COMPLET	BR





Ref	Article Number	Article Name	Comment
1	597435801	VIS	Anchor screws, 6pcs
2	547637901	BOUCHON	6 pack
3	538635501	COUVERCLE	Cable Holder

ForêtJardin