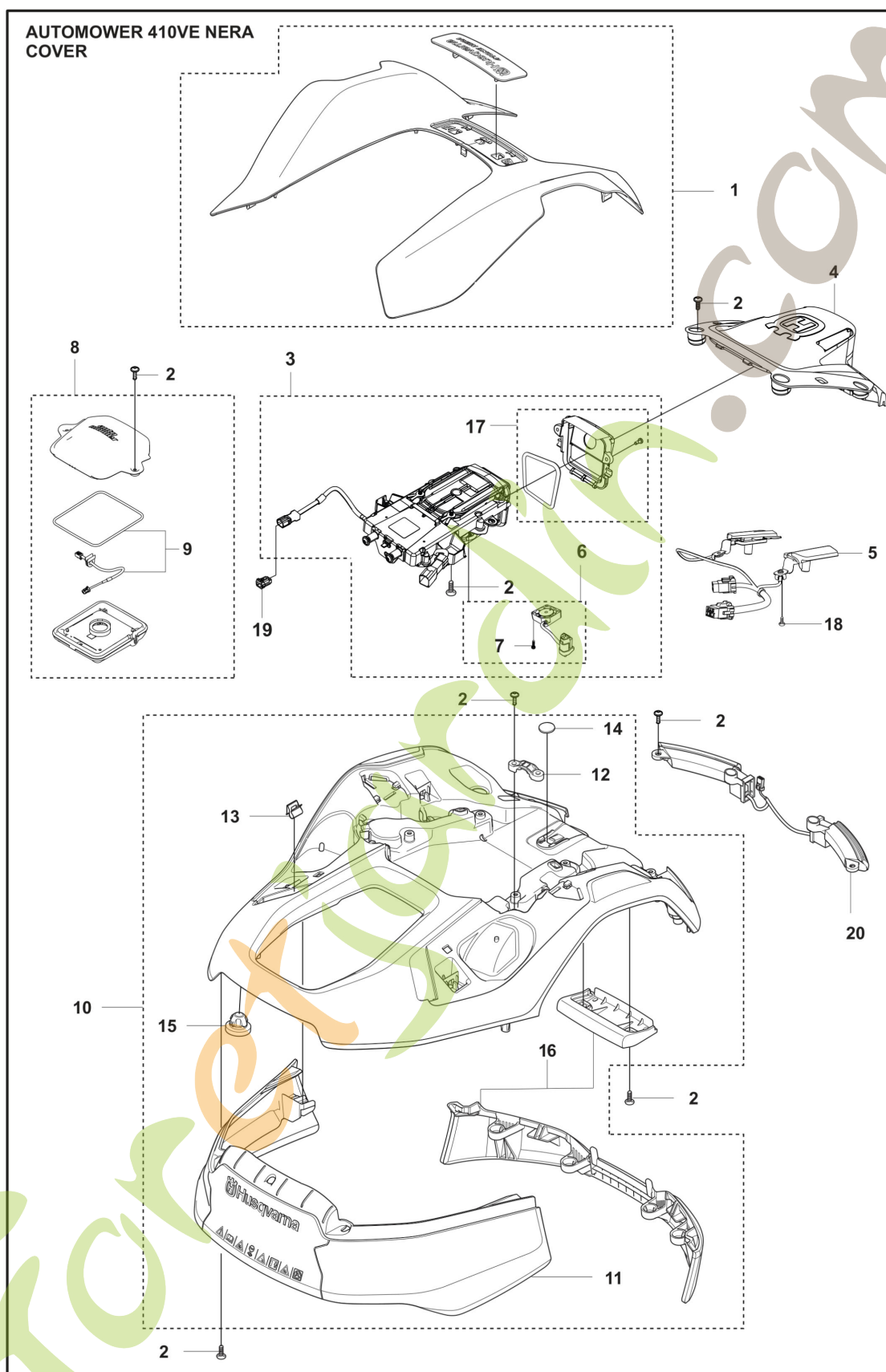




2026-04-03

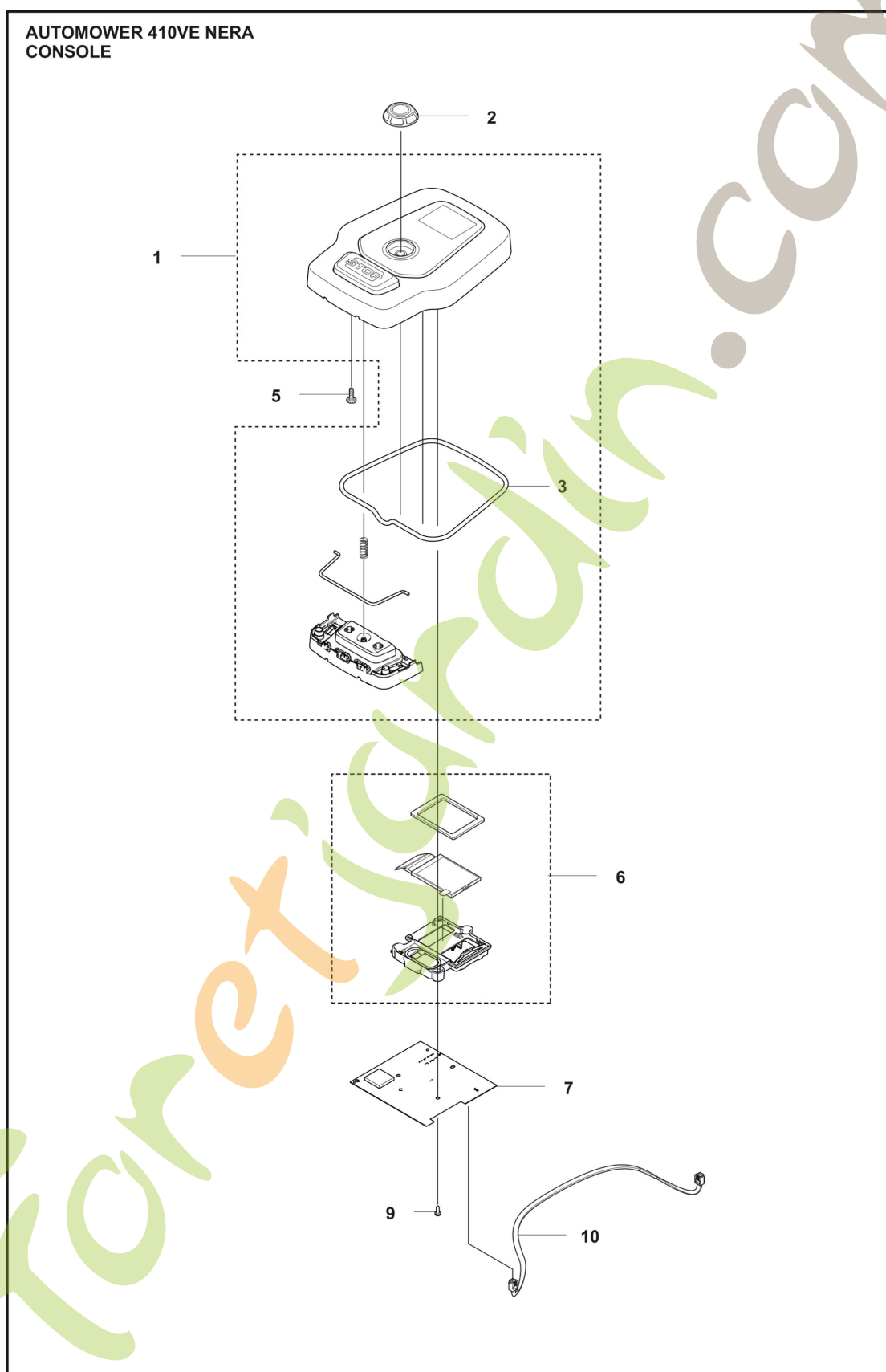
Automower® Husqvarna 410VE NERA avec technologie vision IA + EdgeCut





Ref	Article Number	Article Name	Comment
			

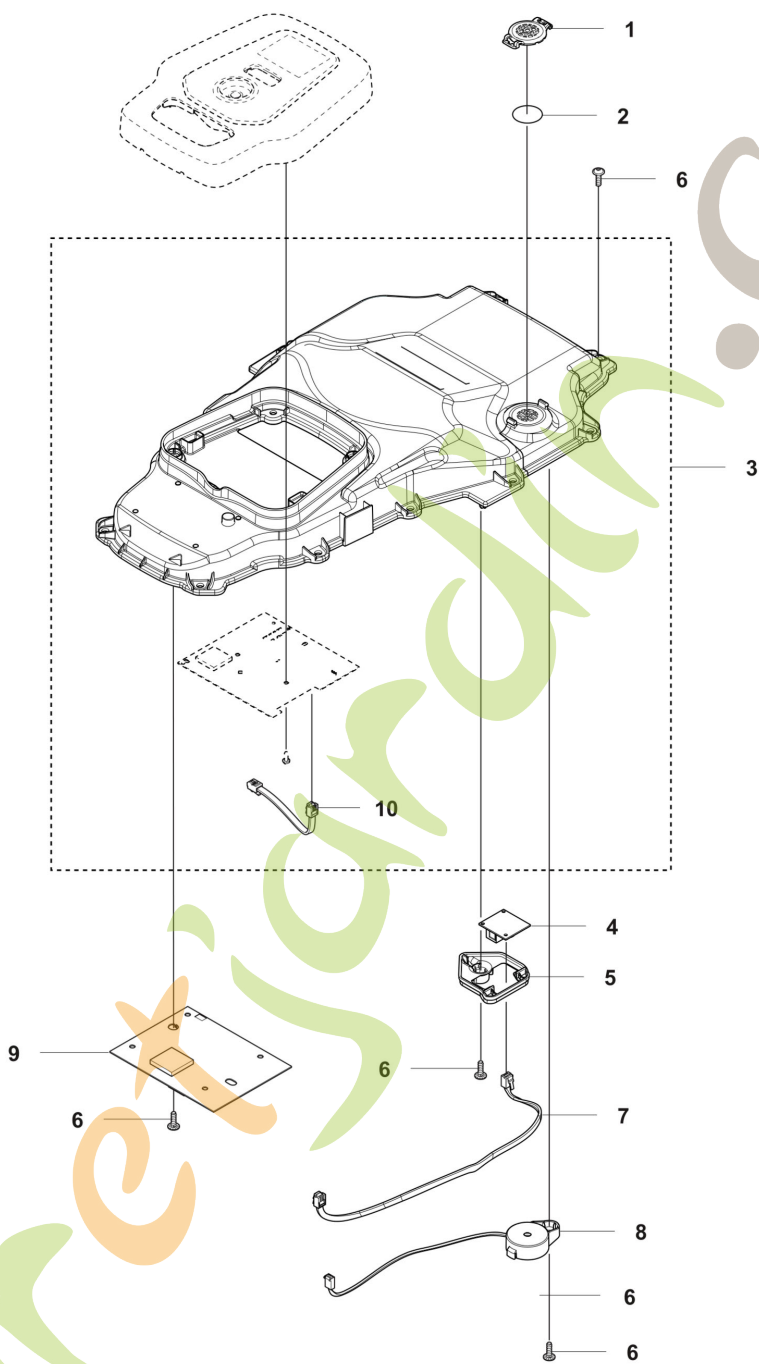
1	540196801	COVER ASSY	Top cover kit
1	548084702	KIT COUVERCLE	
2	574450101	VIS ITXPANT	Screw
3	548163701	VISION MODULE	Vision module
4	548738701	CARTER	
5	547498301	CÂBLAGE COMPLET	Charging plate with cable
6	541225601	MOTOR KIT	Fan motor kit
7	540450001	VIS	Screw
8	970862201	EPOS MODULE	EU
8	970862207	EPOS MODULE	AU
8	970862206	EPOS MODULE	NZ
8	970862208	EPOS MODULE	JP
9	547340401	CÂBLAGE COMPLET	Kit, wiring assy + seal
10	546525302	BODY KIT	
11	536997401	CAPOT PROTECTION CARTER	Rear bumper
12	593355202	COUVERCLE	
13	593778401	COLLIER DE SERRAGE	
14	593822101	AIMANT	
15	546632301	PIGNON	Snaploc
16	548084201	CAPOT PROTECTION CARTER	Kit: Rear bumper and Handle
17	540197101	KIT COUVERCLE	Cover front kit
18	575529502	VIS ITXPANTT	Screw
19	536464501	BOUCHON D'ÉTANCHÉITÉ	
20	537555901	CÂBLAGE COMPLET	LED lights



Ref	Article Number	Article Name	Comment
1	548084702	KIT COUVERCLE	
2	531375901	BOUTON	Jog Wheel
3	599911803	JOINT	Sealing strip
5	574450101	VIS ITXPANT	Screw
6	538822401	DISPLAY KIT	
7	599702701	CIRCUIT IMPRIME COMPLET	Application circuit board
9	525887402	SCREW CITXPANT	
10	536253905	CÂBLAGE COMPLET	Wiring Assy Magnetic sensor

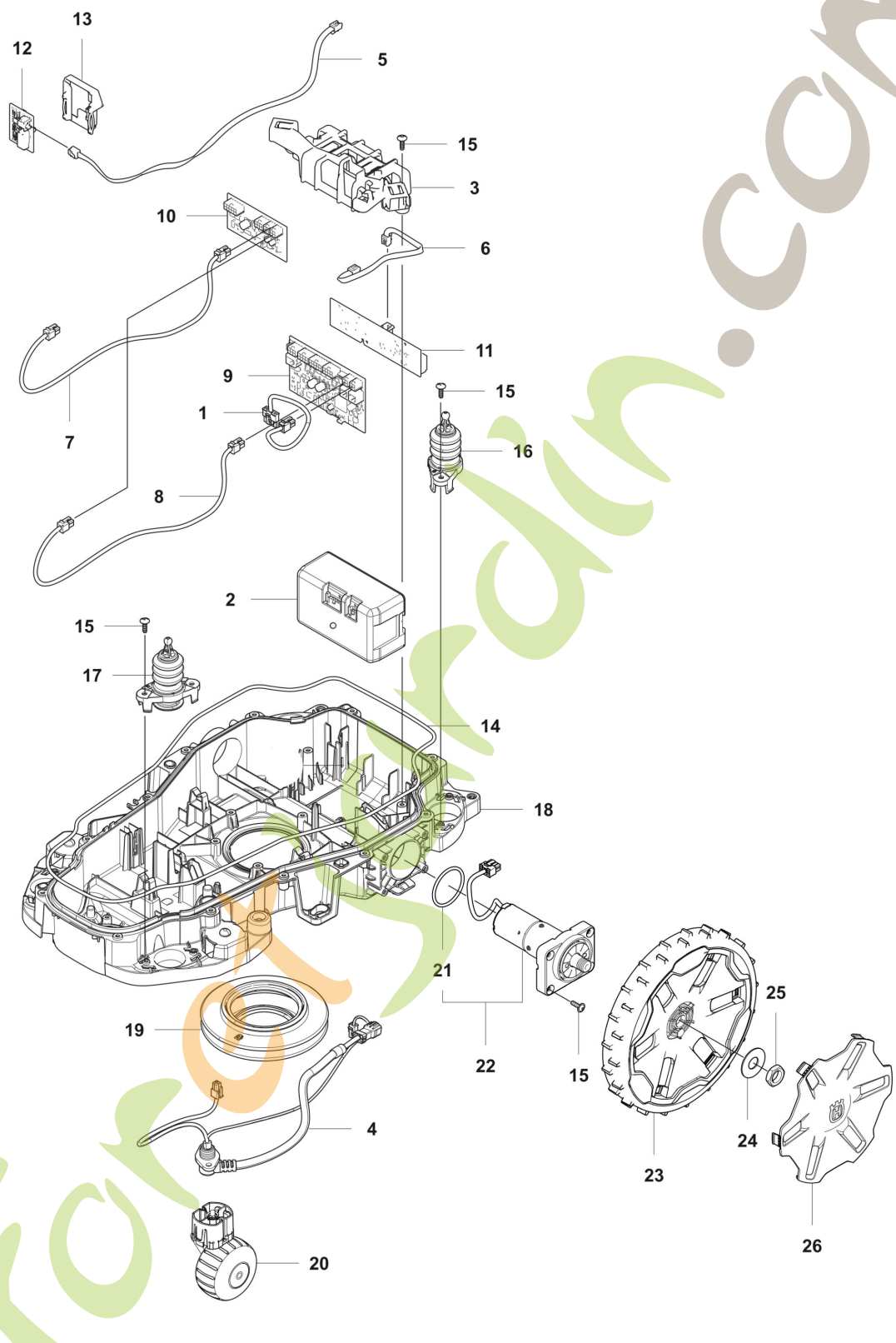
ForêtJardin

AUTOMOWER 410VE NERA
CHASSIS UPPER



Ref	Article Number	Article Name	Comment
1	586038902	CARTER	Cover air filter
2	577753701	FILTRE À AIR	Air filter
3	548084601	CHÂSSIS	Chassis upper KIT
4	591125501	CIRCUIT IMPRIME COMPLET	Magnetic sensor circuit board
5	535563901	SUPPORT	Holder magnetic sensor circuit board
6	574450101	VIS ITXPANT	
7	536253911	CÂBLAGE COMPLET	Wiring Assy Magnetic sensor
8	531351802	CÂBLAGE COMPLET	Buzzer
9	536462901	CIRCUIT IMPRIME COMPLET	Communication circuit board, CBT10
10	547108613	CÂBLAGE COMPLET	

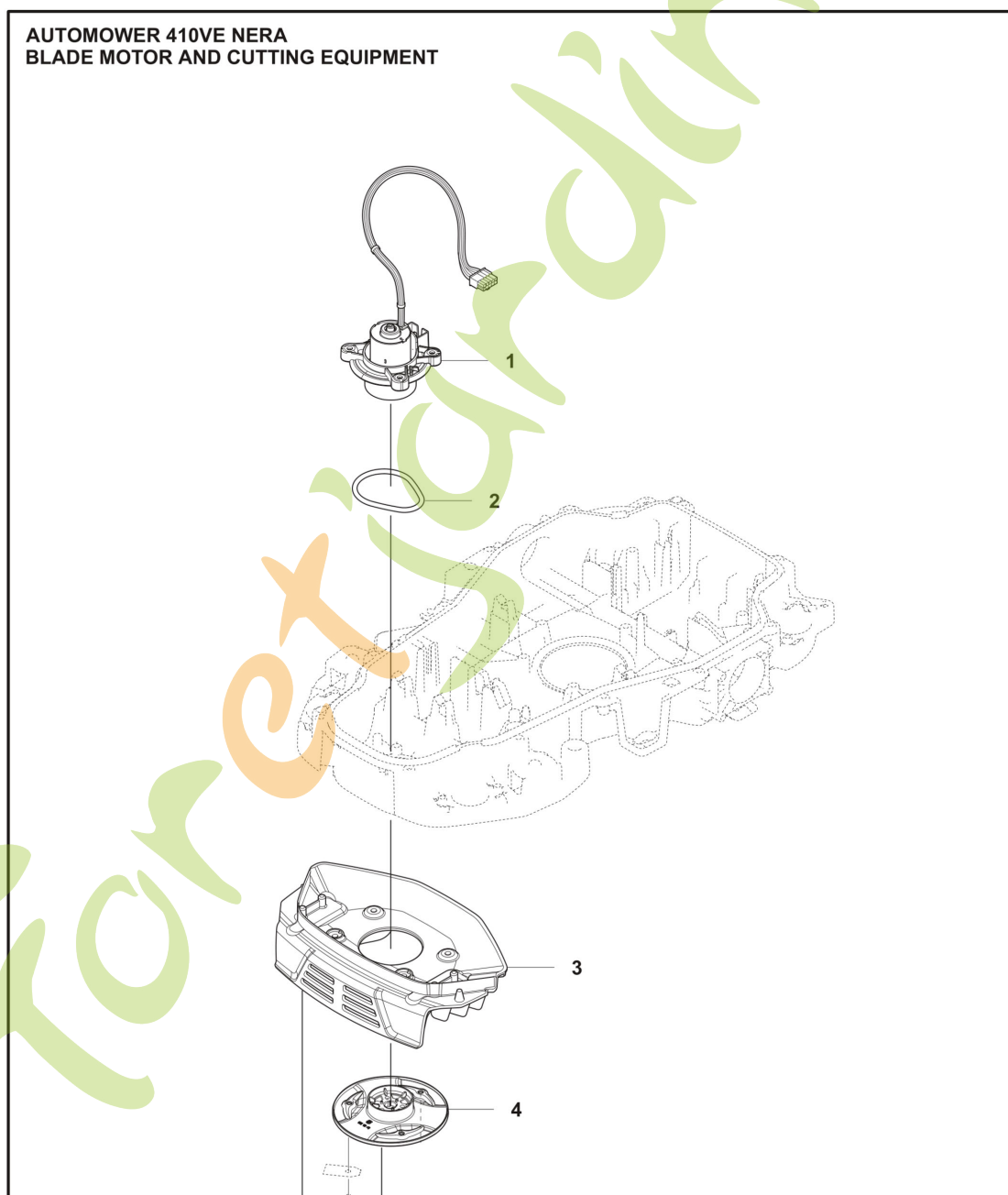
**AUTOMOWER 410VE NERA
CHASSIS LOWER**

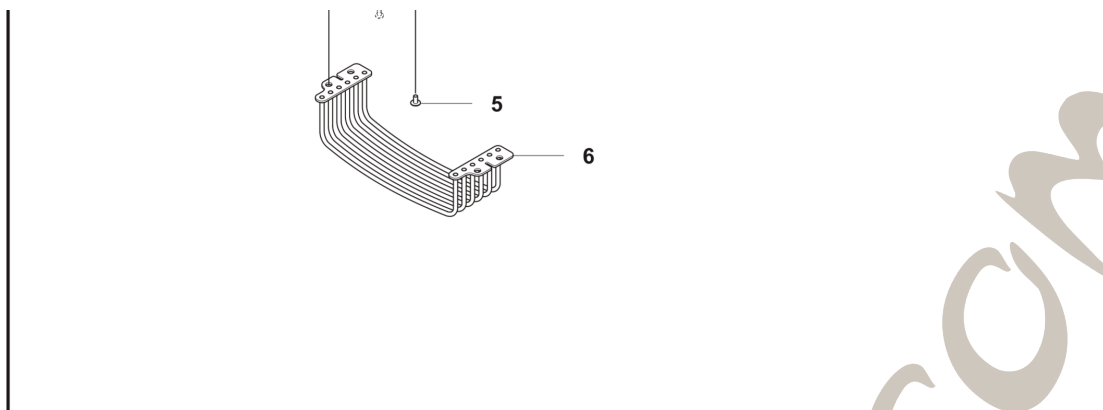


Ref	Article Number	Article Name	Comment
 A large, diagonal watermark is present across the page. The text 'ForêtJardin.com' is written in a stylized, cursive font. 'Forêt' is in light green, 'Jardin' is in a darker green, and '.com' is in a light grey color.			

1	535280504	CÂBLAGE COMPLET	Wiring assy battery
2	536898201	BATTERY	
3	536971001	SUPPORT	
4	546333602	CÂBLAGE COMPLET	Main Cable
5	536253905	CÂBLAGE COMPLET	Wiring assy loop sensor rear
6	536253908	CÂBLAGE COMPLET	Wiring assy loop sensor front
7	547846804	CÂBLAGE COMPLET	Wiring assy application board
8	547846804	CÂBLAGE COMPLET	Wiring assy motor control
9	591125602	CIRCUIT IMPRIME COMPLET	Motor contol circuit board front
10	536657701	CIRCUIT IMPRIME COMPLET	Motor contol circuit board rear
11	546001101	CIRCUIT IMPRIME COMPLET	Loop sensor circuit board front
12	536657101	CIRCUIT IMPRIME COMPLET	Loop sensor circuit board rear
13	538641201	CADRE	Holder loop sensor circuit board
14	574874709	BANDE D'ÉTANCHÉITÉ	
15	574450101	VIS ITXPANT	
16	531281201	JOYSTICK ASSY	Joystick lift & collision front
17	531281301	JOYSTICK ASSY	Joystick collision rear
18	548084301	CHÂSSIS	Chassis lower
19	599318301	SOUFFLET	
20	547412801	ROUE COMPLÈTE	Rear wheel

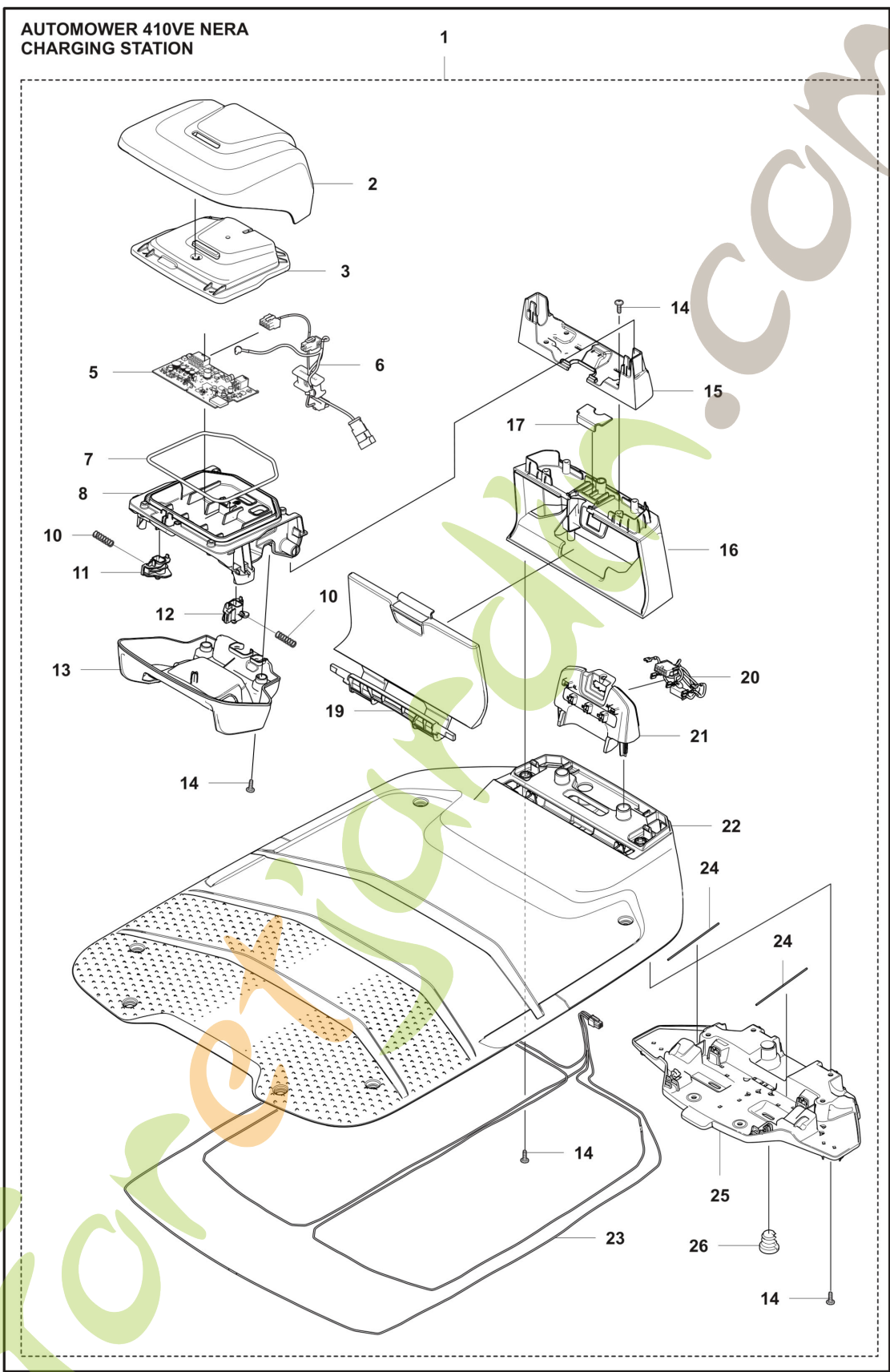
21	580443902	JOINT TORIQUE	
22	599683402	WHEEL MOTOR ASSY	Wheel motor
23	538816501	ROUE COMPLÈTE	Front wheel
24	586210601	RONDELLE	
25	731432401	ECROU HEXAGONAL FIN DE BLOCAGE	
26	531356502	ENJOLIVEUR	





Ref	Article Number	Article Name	Comment
1	548084401	CUTTER MOTOR ASSY	Cutting motor rear
2	529516301	JOINT	
3	547596301	PROTECTEUR	Blade disc guard
4	536984301	DISQUE DE COUPE	
5	590508701	VIS	
6	547596401	CARTER	Blade disc guard

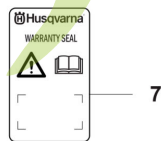
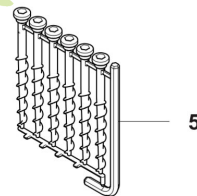
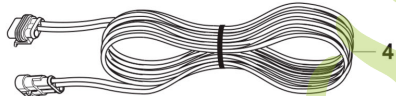
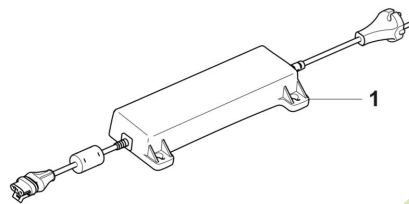
Ref	Article Number	Article Name	Comment
1	546838902	CUTTING MODULE	Cutting module
2	592735803	HEIGHT ADJUSTMENT MOTOR	Cutting height adjustment motor
3	599428302	CUTTER MOTOR ASSY	Cutting motor front
4	599318201	CADRE	
5	575543314	VIS	
6	531177401	DISQUE DE COUPE	Blade disc
7	590508701	VIS	
8	588421702	ENSEMBLE DU BOITIER DE ROULEMENT	
9	535075703	ROULEMENT À BILLES	
9	593080801	ROULEMENT À BILLES	Tube 50 pcs
10	598794801	PLAQUE DE PROTECTION ANTI-DÉRAPAGE	
11	587449601	KIT COUVERCLE	Bearing cover
12	585297501	JOINT TORIQUE	
13	599317601	ROUE D'ENGRENAGE	
14	535076001	VIS	



Ref	Article Number	Article Name	Comment
			

1	531422302	STATION DE CHARGE	
2	531422502	CAPUCHON	Upper Cover
3	531422902	COUVERCLE	
5	529899501	CIRCUIT IMPRIME COMPLET	Charging station circuit board
6	536055201	CÂBLAGE COMPLET	Wiring Assy CS Main
7	574874708	BANDE D'ÉTANCHÉITÉ	
8	531423002	CADRE	
10	535130101	RESSORT	
11	531422601	CLAPET	Contact Plate Left
12	531422602	CLAPET	Contact Plate Right
13	531422701	TUBE	Lower Cover
14	574450101	VIS ITXPANT	
15	535558603	SUPPORT	
16	531422401	CARTER	
17	536177201	COUVERCLE	
19	531422802	TRAPPE	
20	535600701	CÂBLAGE COMPLET	Wiring Assy Antenna bridge
21	535600601	CARTER	Cable Holder
22	531423102	BASEPLATE	Charging Station Baseplate
23	536166001	CÂBLAGE COMPLET	Wiring Assy Baseplate
24	588470201	RESSORT	
25	535600501	PLAQUE DE FIXATION	Baseplate Support
26	531262701	BOUCHON	

**AUTOMOWER 410VE NERA
INSTALLATION ACCESSORIES**



Ref	Article Number	Article Name	Comment
1	599628501	UNITÉ D'ENTRAÎNEMENT	EU
1	599628502	UNITÉ D'ENTRAÎNEMENT	GB,IE
1	599628503	UNITÉ D'ENTRAÎNEMENT	CH
1	599628504	UNITÉ D'ENTRAÎNEMENT	US/CA
1	599662505	UNITÉ D'ENTRAÎNEMENT	AUS/NZ
2	579825103	CABLE ASSEMBLE	Low Voltage Cable 3 m
3	579825104	CABLE ASSEMBLE	Low Voltage Cable 5 m
4	579825102	CABLE ASSEMBLE	Low Voltage Cable 10 m
4	579825101	CABLE ASSEMBLE	Low Voltage Cable 20 m
5	597435801	VIS	Anchor screws, 6pcs
6	598013102	CÂBLAGE COMPLET	
7	580689502	AUTOCOLLANT	Warranty seal
8	546137702	AUTOCOLLANT	Warranty seal